

PPC-104T Series

Compact Design & High Efficient Touch Panel PC



PPC-104T

FEATURES

- 10.4" TFT LCD with Resistive Touchscreen
- DM&P Processor 933 MHz / 1 GHz Onboard
- 512MB/1GB/2GB System Memory Onboard
- Compact Flash Type I/II /SD Slot /SATA Slim
- Fanless and Low Power Consumption
- Metal Chassis with Compact Design



CE



FCC



VCCI



VIBRATION



IP 65



TOUCH



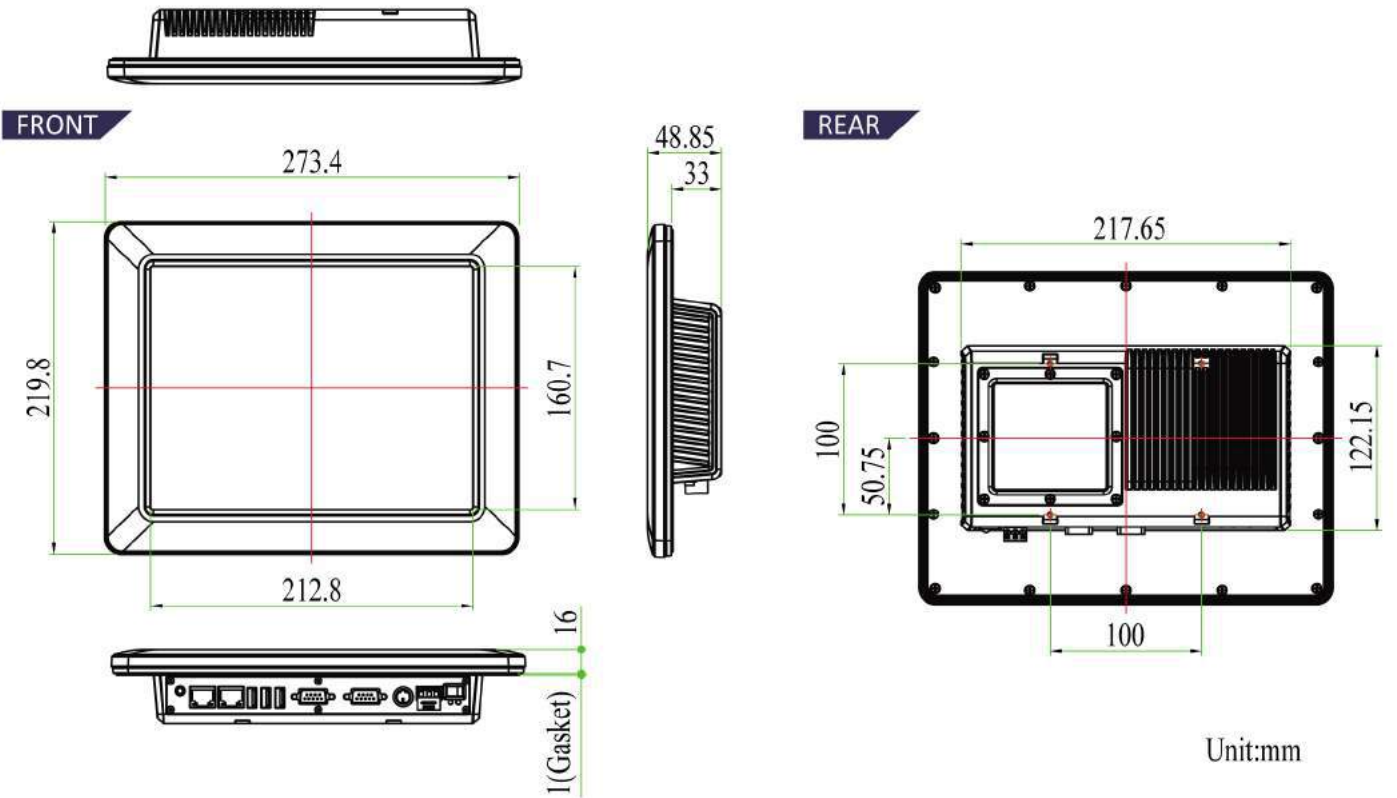
Wi-Fi



FANLESS

Specification	Model	PPC-104T
LCD Display	Type	SVGA TFT LCD
	Size	10.4"
	Resolution (Pixel)	800x600
	Colors	262,144
	View Angle	Vertical 110° / Horizontal 140°
	Brightness	500 cd/m2
	Backlight life	50,000 hrs
	Contrast Ratio	500 : 1
CPU		DM&P Vortex86DX2 933MHz / Vortex86DX3 1GHz
Cache		DX2 - L1: 16KB I-Cache, 16KB D-Cache / L2: 256KB Cache DX3 - L1: 32KB I-Cache, 32KB D-Cache / L2: 512KB Cache
Memory		512MB / 1GB / 2GB DDRII (DDRIII) Onboard
Watchdog Timer		Software Programmable from 30.5u to 512 seconds x 2 sets
Serial Port		RS-232 / 422 / 485 x 2
USB Ports		USB Ports (Version 2.0) x 3
Ethernet		Integrated 10 / 100 M Ethernet(PoE optional)/ Giga Ethernet(optional)
Audio		HD Audio-Realtek ALC262 CODEC
Internal Drives		Compact Flash Type I/II Slot, SD Slot (optional), SATA Slim
Touch Screen Type		Analog Resistive
Expansion Slot		WLAN (Optional)
Power Requirement		+12 ~ +24VDC
Power Consumption		+24VDC@1A
Operating Temperature		0 ~ +50°C (+32 ~ +122°F) / -20°C~+60°C (-4 ~ +140°F)
Storage Temperature		-30 ~ +70°C (-22 ~ +158°F)
Operating Humidity		0% ~ 90% Relative Humidity, Non-Condensing
Operating System		Linux, Win CE, Win XP, Win 7, Windows Embedded Standard
Dimensions		273.40x219.80x49 mm (10.76x8.65x1.93 inches)
Weight		1.75kg
Certificate		CE, FCC, VCCI, Vibration, IP65 (Front Panel), Shock

DIMENSIONS & SPECIFICATION



I/O VIEW & REAR VIEW

Available for max. total 7 RS232 ports or 16-bit GPIO and 5 RS232 ports solution

