



Features

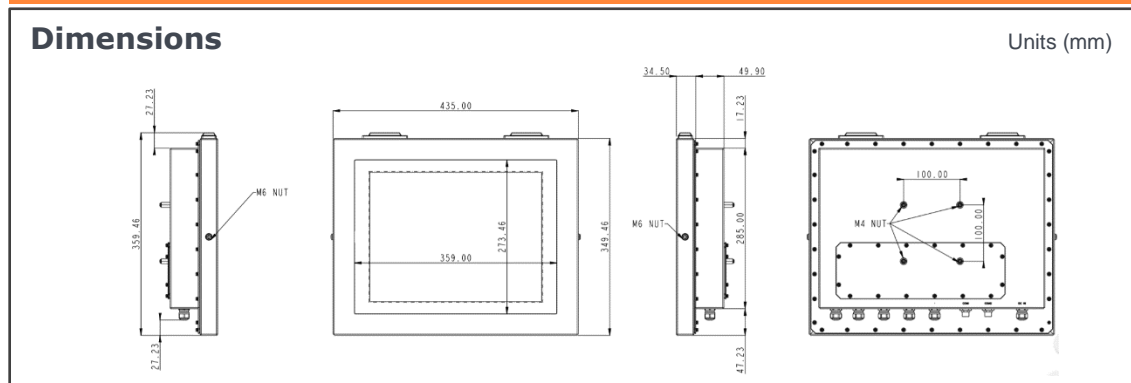
- Class 1 Division 2, ATEX Zone 2, and IECEx Certified
- Fanless Design for Wide Temp -20~60°C Environments
- LAN USB Cable Gland and Water Proof M12 COM Connector
- EMC Class B Applicable for Laboratory & Office
- Totally Sealed IP66 / NEMA 4X Enclosure
- 100% Water/Dust Proof Guarantee

Specification

Product		WTPE-9E66-15W
Main System	CPU	FCBGA1356 6th Gen. Intel® Core i7/i5/i3 Processor 15W Max.
	Graphic	Intel® Graphics HD 520
	Memory	Two 2133 MHz DDR4 SODIMM Socket Support Dual Channel, non-ECC, up to 32GB
	OS Support (Optional)	Windows Embedded 7 / Windows 7 Professional Win10 Embedded / Windows 10 Professional
Display	Size	15" 4:3
	Resolution (pixel)	1024 x 768 (XGA)
	Number of Colors	16.7M colors (RGB 6-bit + Hi FRC)
	View Angle (H/V)	160(H) / 160(V)
	Brightness (nits)	450 nits
	Contrast Ratio	600 : 1 (Typ)
Touch Panel	Type	Full Flat Resistive Touch Panel
	Light Transmission	80 ± 5%
	Hardness	4H
	Lifetime	490,000 hours
Storage & Expansion	Storage	2.5" SATA HDD
	Expansion	Mini PCIe x 1 M.2 Type E x 1
I/O Ports/ Power	USB	Max. USB 2.0 Ports x 4 (Max 4 ports in USB+LAN)
	COM	1 X M12 8pin/ RS-232 1 X M12 8pin/ RS-232/422/485
	LAN	Max. LAN x 2(Max 4 ports in USB+LAN)
	Power adapter	100W AC-DC Power Adapter with 24V DC output, 1.2M cable, PSE
	Power consumption	TBD
Environmental	Temperature	Operating Temperature -20 ~ 60 °C, without freezing (IEC60068-2-56, air flow cooling) Storage Temperature -20~60°C
	Humidity	Operating & Storage: -10 ~ 90%, non-condensing
	Water/Dust resistance	IP66 / NEMA4X
Mechanical Characteristics	Housing	Stainless Steel (SUS304), Chassis Type
	Dimensions (Net: mm)	435 x 350 x 84
	Weights (Net: kg))	11kg
	Mounting	VESA (100x100 mmxmm), side mount (M6*2)
Certification	EMC: FCC, CE (EMC), VCCI Class B, Safety: IEC-62368 IECEx, Class 1 Division 2 Group A, B, C, D T5, ATEX Zone2 EX II 3G Ex ic ec IIC T5 Gc IP66	

WTPE-9E66-15W

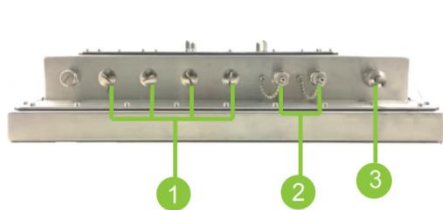
Explosion Proof Panel PC



Major Options	
Add On Parts	① Wifi · IEEE802.11ac/b/g/n, Bluetooth Class1.0 · 2.0 (included in explosion proof certification) ② Power on/off switch
Power Cable	① 50 meter DC cable to support 50 meter power length ② 100 meter DC cable to support 100 meter power length ③ Kit to support over 100 meter power supply ④ USB2.0 extension cable through gland (2 meter length, external female type A) ⑤ LAN extension cable through gland (2 meter length, external female RJ45 type) ⑥ M12 COM extension cable (2 meter length, M12 to PPC, external male type)
Optional kits	① Wall mount/ Table mount bracket ② Panel mounting by bezel kit (not co-exist with wireless function)
Customization	① Kit to support over 100 meter power supply length

Order Information

Item	Cooling	Description
WTPE-9E66-15W	Fanless	15" Core i5-6200U / DDR4 4G RAM/ 128G SSD/ Full Flat R-touch



- ① USB, LAN ports
- ② COM ports(M12 x2)
- ③ DC-in

