

E39

2MP Video Analytics Bullet with D/N, Adaptive IR, Extreme WDR, ELLS, Fixed Lens



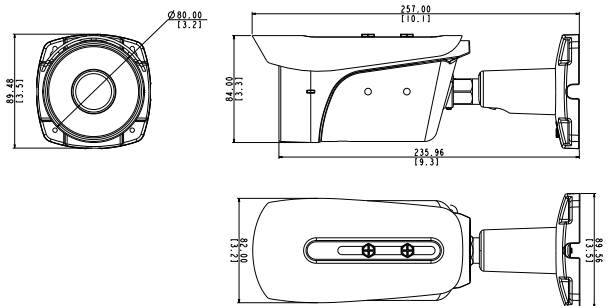
- 2 Megapixel with 1080p
- Day & Night with Extreme Low Light Sensitivity and Adaptive IR LED
- Fixed Lens with f3.6mm / F1.85
- Extreme WDR
- 60 fps at 1920 x 1080
- Wide Angle
- Weatherproof (IP68) and Vandal Proof Metal Casing (IK10)
- Built-in Analytics

PHOTO INDICATION



- | | |
|----------------------|--------------------------|
| 1 Audio Input | 5 Digital Input / Output |
| 2 Audio Output | 6 Memory Card Slot |
| 3 Ethernet Port | 7 Factory Reset |
| 4 DC 12V Power Input | 8 Built-in Microphone |
| | 9 Built-in Dehumidifier |

DIMENSION DIAGRAM



Unit: mm [inch]

ACCESSORY OPTIONS

Power Supply		
PPBX-0002		Power Adapter AC 100~240V, with universal connectors for all DC12V powered devices
PPOE-0001		PoE Injector IEEE 802.3af compliant, AC 100~240V, with universal connectors

Popular Mounting Solutions		
Gang Box	PMAX-0806	
Pole Mount	PMAX-0512 + PMAX-0706	
Junction Box	PMAX-0706	

PRODUCT SPECIFICATION

E39

• Device

Device Type	Bullet Camera
Image Sensor	Progressive Scan CMOS
Sensor Size	1/2.8"
Day / Night	Yes
Effective Pixels	1945 (H) x 1097 (V) (2.13MP)
Horizontal Resolution	1100 TVL
Low Light Sensitivity	Extreme
Minimum Illumination	Color: 0.1 lux at F1.85 (30 IRE, 2400°K); B/W: 0 lux (IR LED on)
Color to B/W Switch	ISP sensor based switch; Configurable
Mechanical IR Cut Filter	Yes
IR Sensitivity Range	700 - 1100 nm
IR LED	Adaptive IR LED x 8 (850 nm)
IR Working Distance	30 m (0 Lux, 30 IRE, Gain 255, Auto shutter mode)
Electronic Shutter	1/5 ~ 1/2,000 sec (manual mode); 1/5 ~ 1/10,000 sec (auto mode)
Horizontal Resolution	1100 TVL
S/N Ratio	56 dB

• Lens

Focal Length / Aperture	Fixed focal, f3.6 mm / F1.85
Iris	Fixed iris
Focus	Fixed focus
Lens Mount	Board mount
Horizontal Viewing Angle	90.6°
Vertical Viewing Angle	50.5°

• Video

Compression	H.264 (Baseline / Main / High Profile); MJPEG
Max. Frame Rate vs. Resolution	60 fps at 1920 x 1080; 60 fps at 1280 x 720; 30 fps at 640 x 480; 30 fps at 320 x 240
Multi-Streaming	Simultaneous triple streams based on three configurations
Bit Rate	128 Kbps - 12 Mbps (per stream)
Bit Rate Mode	Constant, Variable
Image Enhancement	Extreme WDR (145 dB); White balance: automatic, hold, and manual; Brightness; Contrast; Defogging; Sharpness (auto); Auto gain control; 2D+3D digital noise reduction; Flickerless; Digital image stabilizer
Privacy Mask	4 configurable regions
Text Overlay	User defined text on video
Image Orientation	Image flip, mirror and rotation (90° and 270°)
Built-in Analytics	Face Detection, Motion Detection, Tamper, Shock Detection, Line Crossing, Enter Area, Missing Object, Unattended Object, Loitering

• Audio

Compression	8 kHz, Mono, PCM, 16 bit encoding; G.711
Audio-In	Built-in Microphone, Line-in; 3.5mm Phone Jack
Audio-Out	Line-out; 3.5mm Phone Jack

• Network

Protocol & Service	IPv4/v6, TCP, UDP, DHCP, PPPoE, HTTP, HTTPS, DNS, DDNS, NTP, RTP, RTSP, RTCP, SMTP, FTP, IGMP, ICMP, ARP, Bonjour, UPnP, QoS, SNMP, IEEE 802.1X
Ethernet Port	1, Ethernet (10/100 Base-T), RJ-45 connector
Security	IP address filtering; HTTPS encryption; Password protected user levels; Anonymous login; IEEE802.1X network access control

• Alarm

Alarm Trigger	Video motion detection (10 regions), External device through digital input, Sound detection, Intelligent event detection
Alarm Response	Notify control center, Change camera settings, Command other devices, E-mail notification with snapshots, Push notification to mobile device, Save video to local storage, Upload video to NVR server, Upload video or snapshot to FTP server, Activate external device through digital output

• Interface

Digital Input / Digital Output	1, Terminal block / 1, Terminal block
Local Storage	MicroSDHC, MicroSDXC memory card slot (card not included)

• General

Power Source / Consumption	PoE Class 2 (IEEE802.3af) / TBC; DC12V / TBC
Weight	362 g (0.80 lb)
Dimensions (Ø x L)	80mm x 236mm (3.15" x 9.29")
Bundled Accessories	Casing
Environmental Casing	Weatherproof (IP68); Vandal proof metal casing (IK10)
Starting / Operating Temperature	-40 °C ~ 50 °C (-40 °F ~ 122 °F) / -40 °C ~ 50 °C (-40 °F ~ 122 °F)
Operating Humidity	10% ~ 85% RH
Approvals	CE (EN 55022 CLASS B, EN 55024), FCC (Part15 Subpart B CLASS B), IP68, IK10(metal casing), Nema 4X

• Integration

Unified Solution	Fully compatible with ACTi software
ISV Integration	Software Development Kit (SDK) available; ONVIF compliant; GB28181
GPS Position	Manual Setting
Firmware Access Browser	Microsoft Internet Explorer 8.0 or newer (full functionality); Safari with QuickTime installed, and other browsers with VLC installed (partial functionality)

* All specifications are subject to change without notice.

* All brand names and registered trademarks are the property of their respective owners.

www.acti.com

