

# IPC-7130L

## Desktop/Wallmount Chassis for ATX/MicroATX Motherboard



### Features

- Stylish design with 7 expansion slots in the rear
- Shock-resistant drive bay holds one 5.25" disk drive and three 3.5" disk drives (two 3.5" HDD trays and one internal 3.5" drive bay)
- Lockable front door prevents unauthorized access
- LED indicators for Power and HDD activity
- Bidirectional options to mount chassis on the wall or workbench

Quiet

### Specifications

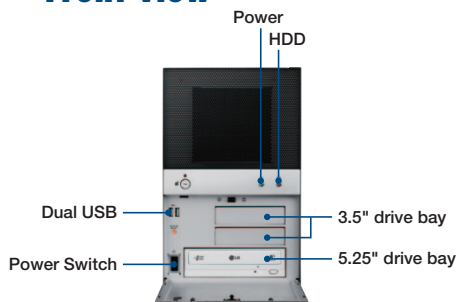
CE FCC RoHS

		External	Internal
Disk Drive Bay	5.25"	1	-
	3.5"	2 SAS/SATA HDDs	1
Cooling	Fan	1 (12 cm/73.8 CFM) + 1 (6 cm/21.2 CFM)	
	Air Filters	Yes	
I/O Interface	USB 2.0	2 (Front accessible)	
Miscellaneous	LED Indicators	Power, HDD	
	Front Panel	Power, HDD	
Environment	Operating Temperature	0 ~ 50° C (32 ~ 122° F)	Non-operating -20 ~ 60° C (-4 ~ 140° F)
	Humidity	10 ~ 95 % @ 40° C, non-condensing	10 ~ 95 % @ 40° C, non-condensing
	Vibration (5-500 Hz)	0.5 Grms	2 G
	Shock	10 G (with 11 ms duration, half sine wave)	30 G
	Physical Characteristics	Dimensions (W x H x D)	200 x 320 x 480 mm (7.9" x 12.6" x 18.9")
	Weight	11.11 kg (24.49 lb)	

### Inside view



### Front view

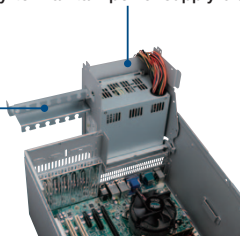


### Rear view



Easy-to-maintain power supply bracket

Hold-down clamp



Dual External 3.5" SAS/SATA HDD trays

ADVANTECH

Industrial Computer Chassis

All product specifications are subject to change without notice

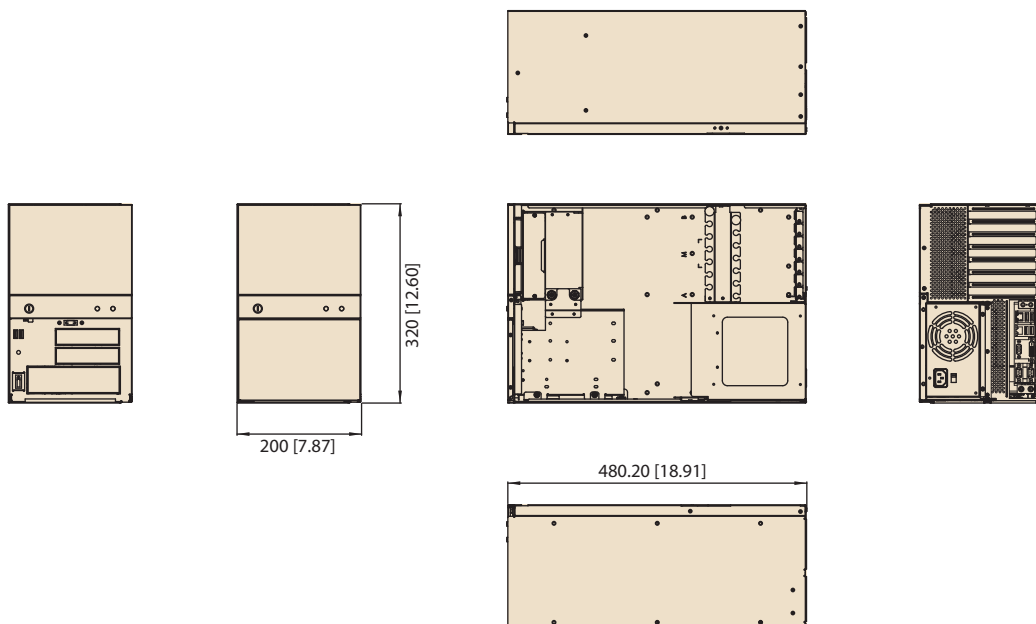
Last updated : 2-Feb-2015

www.ipc2u.ru www.ipc2u.de www.sovio.com

Date: 03/2015 Rev.01

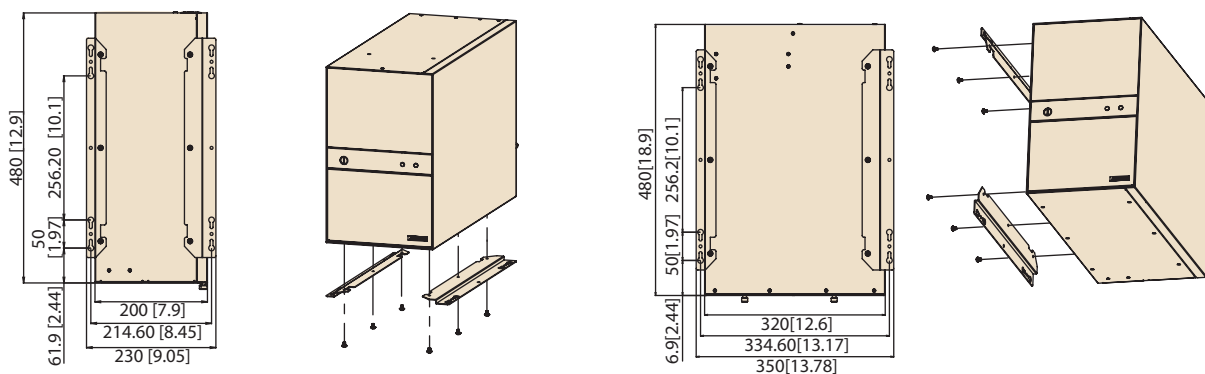
## Dimensions

Unit: mm [inch]



## Installation

Unit: mm [inch]



## Ordering Information

Part Number	Power Supply
IPC-7130L-00XE	W/O PSU , with ATX switch

## Optional Accessories

Part Number	Description
1750006045	73.84 CFM, System fan 120 x 120 x 25 mm
1750006376	21.22 CFM, HDD fan 60 x 60 x 13 mm

## Power Supply Options

Part Number	80 Plus Grade	Wattage	Type	Input
PS8-300ATX-ZBE	Bronze	300W	Single	AC 100 ~ 240V (full range)
PS8-400ATX-ZE	Bronze	400W	Single	AC 100 ~ 240V (full range)