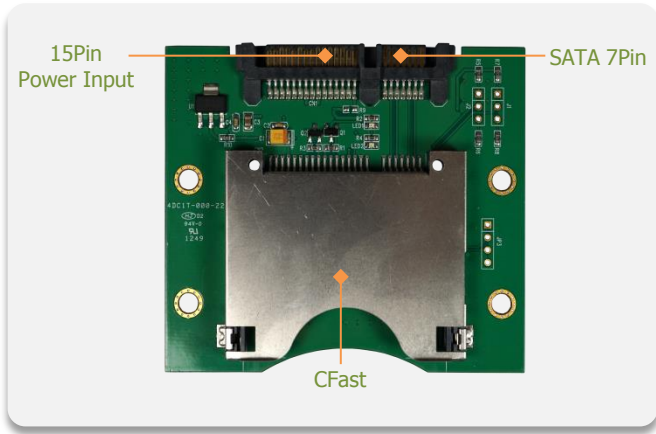


# EZSS-0101

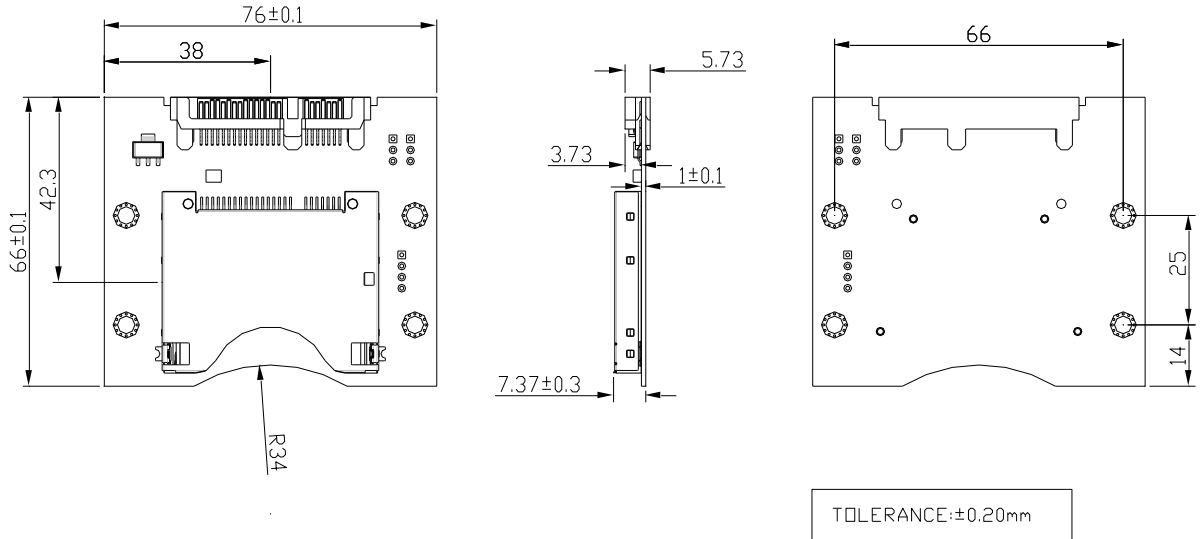
## CFast to SATA Module



### Features

- SATA III compliant
- SATA to CFast pass-through design
- 3 years warranty
- Industrial design. Manufactured in innodisk Taiwan

### Mechanical Drawing



### Specifications

#### Headquarters (Taiwan)

5F., No. 237, Sec. 1, Datong Rd.,  
Xizhi Dist., New Taipei City 221,  
Taiwan  
Tel: +886-2-77033000  
Email: sales@innodisk.com

#### Branch Offices:

**USA**  
[usasales@innodisk.com](mailto:usasales@innodisk.com)  
+1-510-770-9421

**Europe**  
[eusales@innodisk.com](mailto:eusales@innodisk.com)  
+31-40-3045-400

**Japan**  
[jpsales@innodisk.com](mailto:jpsales@innodisk.com)  
+81-3-6667-0161

**China**  
[sales\\_cn@innodisk.com](mailto:sales_cn@innodisk.com)  
+86-755-21673689

Form-Factor	Other
Input I/F	SATA III
Output I/F	SATA III
Output Connector	CFast x 1
Dimension (WxLxH)	76 x 66 x 7.37 mm
Temperature	Operation: STD: 0°C ~ +70°C, Storage: -55°C ~ +95°C
Environment	Vibration: 5G @7~2000Hz, Shock: 50G @ 0.5ms
Notes	

[www.innodisk.com](http://www.innodisk.com)

© 2017 Innodisk Corporation.  
All right reserved. Specifications  
are subject to change without  
prior notice.

September 1, 2017

### Order information

**EZSS-0101-C1**  
CFast to SATA III Module