



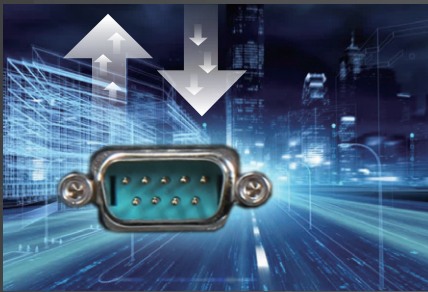
FUDA3 Single-Touch Panel PC Series

Slim and Fan-less five wire Resistive Touch Panel PC with Wide Temperature Support
Powered by Intel® Atom E3900 Family Processors

In IPC market, a robust and highly reliable Panel PC system is a must to ensure non-stop and stable operation on production line. By enhancing performance and power efficiency, FUDA3 Series is an ideal HMI in factory automation, vending machine, Textile machine and harsh dirty industry environments.

Product Introduction

FUDA3 Panel PC is the next generation of Portwell's standard Panel PC product line. Its ascendant, FUDA Panel PC, has been widely proven and adopted by Keeping the successful designing and marketing experience in mind, FUDA3 Panel PC aims at serving IPC customers with much more powerful HMI solutions which provide high performance and low power consumption. Powered by Intel® Atom® x7-E3950, which provides extended temperature and flexible I/O connectivity within 12 watt thermal design power (TDP), FUDA3 Panel PC is an ideal platform for applications like highly efficient and dedicated image signal processing with secure content delivery and visually appealing HMI thin clients.

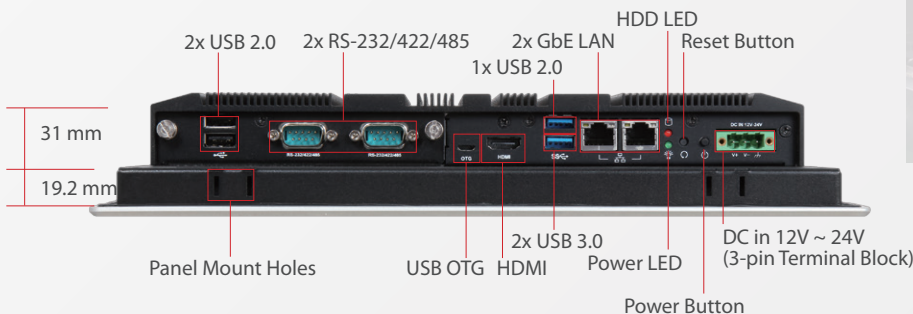


High-speed UARTs Support

As we all know, UART port such as **RS-232/422/485** is very important I/O to communicate between device and device at factory. FUDA3 Panel PC adopt new Super I/O chip to make UART ports support high-speed baud rate from 115.2K up to maximum 921.6K under Windows 10. The advantage can solve I/O communication slowly problem in factory automation environment.

Effortless Upgrade

FUDA3 Single-Touch Panel PC Series has been designed to be 100% mechanically compatible with the previous FUDA/FUDA2 Panel PC – offering a smart, economical and easy replacement or upgrade solution. Customers can enjoy the identical mechanical design to give a direct upgrade to Intel's latest platform without any need to modify existing machine any need to modify existing machine cabinets or mounting kits.



* The picture of FUDA3-S1012



■ Name Plate Customization

FUDA3 5-wire Resistive Panel PC offer a name plate customization service with small MOQ for customer to design their logo, color and style. It is ideal solution for customer to create itself unique product quickly.

■ A More Powerful and Flexible Panel PC

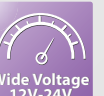
By adopting the latest Intel® Atom® x7-3950, FUDA3 series Panel PC can achieve up to 2x the power efficiency of the previous FUDA2 Panel PC; especially the visual processing capabilities are improved to enable faster media conversation as well as enhanced HD video transcoding. In addition, more functions are made available; for example, multiple storage including 2.5" HDD/SSD and Mini-mSATA ; WiFi or LTE solutions; USB 3.0 is also adopted.



Various I/O options to meet different requirements.

Ordering Guide

AL6-3290	(R).ATO. FUDA3-S1012-0000-00.10.4" Intel® Apollo Lake E3950 5-wire Resistvie Touch Panel PC with PW Overlay
AL6-3295	(R).ATO. FUDA3-S1212-0000-00.12.1" Intel® Apollo Lake E3950 5-wire Resistvie Touch Panel PC with PW Overlay
AL6-3289	(R).ATO. FUDA3-S1522-0000-00. 15" Intel® Apollo Lake E3950 5-wire Resistvie Touch Panel PC with PW Overlay

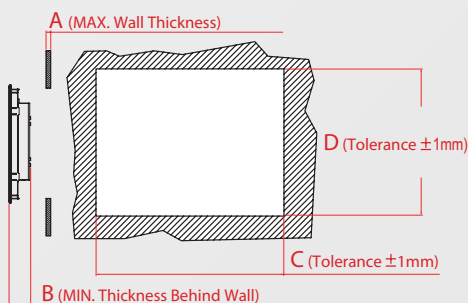


FUDA3 Quick Selection Guide

FUDA3 Single-Touch 10.4" / 12.1" / 15"

Model Name	FUDA3-S1012	FUDA3-S1212	FUDA3-S1512
Display			
LCD Size	10.4"	12.1"	15"
Resolution	XGA 1024 x 768	XGA 1024 x 768	XGA 1024 x 768
Brightness	450 cd/m ²	600 cd/m ²	450 cd/m ²
Contrast Ratio	3000:1	700:1	700:1
Backlight	LED type	LED type	LED type
Touch Screen	5-Wire Resistive Single Touch		
System			
SoC	Intel® Atom™ x7-E3950 (Quad Core, 2M Cache, up to 2.0 GHz)		
Memory	DDR3L SO-DIMM 1866 MHz up to 8 GB		
BIOS	AMI		
Graphics	Intel® HD Graphics 505		
LVDS	Single/ Dual Channel 24-bit		
LAN Chipset	Dual Intel® Gigabit Ethernet Chipset		
Audio	N/A		
Watchdog Timer	Programmable 1 ~ 255 sec		
Storage Device	1 x 2.5" SATA HDD / SSD, 1 x Mini-mSATA		
OS	Windows 10/ Linux™		
I/O Interface			
Series Port	2 x RS-232/422/485 (Expansion : Option 0)		
Display	1 x HDMI		
USB	1 x USB OTG, 2 x USB 3.0, 2 x USB 2.0 (Expansion: Option 0)		
Ethernet	2 x Gigabit Ethernet		
Others	1 x SMA Antenna hole for WiFi/LTE Solution		
Expansion	1 x Full-size Mini-PCIe socket 1 x Half-size Mini-PCIe/Mini-mSATA socket switch by jumper 2 x RS-232/422/485, 1 x RS-232 (Expansion: option 1)		
Mechanical			
Dimension(mm)(WxDxH)	314 x 253 x 50.2 mm	343 x 282 x 53.2 mm	425 x 330 x 55.6 mm
Mounting (mm)	VESA Mount 75 x 75 & amp; 100 x 100; Panel Mount		
Weight (Kg)(N)	3.5 Kg	4.3 Kg	5.3 Kg
Weight (Kg)(G)	5.8 Kg	6.2 Kg	8.2 Kg
Power			
Power Supply	DC 12 ~ 24V input with 3-pin Terminal Block Connector		
Consumption (Max)	33.5W (12V); 33.6W (24V)	40.9W (12V); 39.4W (24V)	40.5W (12V); 40.2W (24V)
Consumption (Min)	11.8W (12V); 14W (24V)	12W (12V); 12.3W (24V)	11.2W(12V); 12W (24V)
Environmental			
OP /Storage Temp	-25°C ~ 60°C / -40°C ~ 85°C (20 ~ 90% non-condensing)		
Vibration	1.0G (SSD) and 0.5G (HDD) , Power on ; 2.16G, Packaged; 5~500Hz, IEC 60068-2-6		
Shock	15G peak acceleration, 11 ms (Power on condition), IEC 60068-2-27		
Drop	Package with Carton from 96.5 cm (1-Corner, 3-Axis, 6-Face), ISTA 2A Standard		
IP Protection	IP65 (Front) / IP20 (Rear), IEC 60529 Edition 2.1 Standard		
Certificate	CE/FCC Class A, UKCA, EN 62368-1, EN 61000-6-2 , EN 61000-6-4		

Cut out Dimension



FUDA3 Single-Touch

	A (mm)	B (mm)	C (mm)	D (mm)	Mounting Kits (pcs)
FUDA3-S1012	<10.7	46.2	297	236	x 8
FUDA3-S1212	<10.9	49.2	326	265	x 12
FUDA3-S1512	<11.3	49.6	409	313	x 16