

NuDAQ[®]
ACL-8454
Multi-Functions
Counter/Timer Card
User's Manual



Recycled Paper

© Copyright 1997~2001 ADLINK Technology Inc.

All Rights Reserved.

Manual Rev. 1.40: March 21, 2001

Part No. 50-11017-101

The information in this document is subject to change without prior notice in order to improve reliability, design and function and does not represent a commitment on the part of the manufacturer.

In no event will the manufacturer be liable for direct, indirect, special, incidental, or consequential damages arising out of the use or inability to use the product or documentation, even if advised of the possibility of such damages.

This document contains proprietary information protected by copyright. All rights are reserved. No part of this manual may be reproduced by any mechanical, electronic, or other means in any form without prior written permission of the manufacturer.

Trademarks

NuDAQ[®], NuIPC[®], NuDAM[®], NuPRO[®] are registered trademarks of ADLINK Technology Inc. Other product names mentioned herein are used for identification purposes only and may be trademarks and/or registered trademarks of their respective companies.

Getting service from ADLINK

- ◆ **Customer Satisfaction is always the most important thing for ADLink Tech Inc. If you need any help or service, please contact us and get it.**

ADLINK Technology Inc.			
Web Site	http://www.adlinktechnology.com http://www.adlink.com.tw		
Sales & Service	service@adlink.com.tw		
Technical Support	NuDAQ	nudaq@adlink.com.tw	
	NuDAM	nudam@adlink.com.tw	
	NuIPC	nuipc@adlink.com.tw	
	NuPRO	nupro@adlink.com.tw	
	Software	sw@adlink.com.tw	
TEL	+886-2-82265877	FAX	+886-2-82265717
Address	9F, No. 166, Jian Yi Road, Chungho City, Taipei, 235 Taiwan, R.O.C.		

- ◆ **Please inform or FAX us of your detailed information for a prompt, satisfactory and constant service.**

Detailed Company Information			
Company/Organization			
Contact Person			
E-mail Address			
Address			
Country			
TEL		FAX	
Web Site			
Questions			
Product Model			
Environment to Use	<input type="checkbox"/> OS <input type="checkbox"/> Computer Brand <input type="checkbox"/> M/B : <input type="checkbox"/> CPU : <input type="checkbox"/> Chipset : <input type="checkbox"/> BIOS : <input type="checkbox"/> Video Card : <input type="checkbox"/> Network Interface Card : <input type="checkbox"/> Other :		
Challenge Description			
Suggestions for ADLINK			

Table of Contents

CHAPTER 1 INTRODUCTION	1
1.1 Features	3
1.2 Applications	3
1.3 Specifications	4
CHAPTER 2 INSTALLATION & CONFIGURATIONS.....	5
2.1 What You Have	5
2.2 Unpacking	6
2.3 PCB Layout of ACL-8454	6
2.4 Default Configurations	7
2.5 Base Address Setting.....	8
2.6 Pin Assignment of Connector	10
2.7 Clock System	11
2.8 Counters Architecture	13
2.9 Clock Source Configurations	16
2.10 Gate Control Configurations	19
2.11 Counter Outputs	19
2.12 Interrupt System	20
2.13 Digital Input and Output.....	21
2.14 Summary of Default Setting	22
2.15 Notes for Installing More 8254 Chips.....	23
CHAPTER 3 REGISTERS FORMAT	24
3.1 I/O Port Address	24
3.2 Timer/Counter Registers	25
3.3 Chip Select Register	25
3.4 Digital Input Registers	26
3.5 Digital Output Register	26
3.6 Low-level Programming.....	27
CHAPTER 4 SIGNAL CONNECTIONS & APPLICATIONS.....	29
4.1 Connectors Pin Assignment	29
4.2 Daughter Board Connection	29
4.3 Digital I/O Connection	30
4.4 Timer / Counter Connection.....	30
4.5 Frequency Generator.....	31

4.6	Pulse Width Measurement.....	33
4.7	Frequency Measurement.....	34
4.8	Event Counter	36
4.9	Double Interrupt System.....	37
CHAPTER 5 HIGH-LEVEL PROGRAMMING		38
5.1	Installation.....	38
5.2	W_8454_Initial.....	42
5.3	Set_Chip.....	43
5.4	W_8454_Write_Counter	43
5.5	W_8454_Read_Counter.....	44
5.6	W_8454_Stop_Counter	45
5.7	W_8454_DO	46
5.8	W_8454_DI	46
5.9	8454 Mode Functions.....	47
5.10	W_8454_INT_Enable.....	48
5.11	W_8454_INT_Disable	49
Appendix A Using of IRQ Channels		50
Appendix B Timer/Counter Operation		51
Product Warranty / Service .Error! Bookmark not defined.		

How to Use This Guide

This manual is designed to help you use the ACL-8454. The manual describes how to modify various settings on the ACL-8454 card to meet your requirements. It is divided into 5 chapters:

- **Chapter 1**, "Introduction" gives an overview of the product features, applications and specifications.
- **Chapter 2**, "Installation & Configurations" describes the operation method and multi-functions of the ACL-8454. Users should read through this chapter to understand the configurations of the ACL-8454. The chapter will also teach user how to install the ACL-8454.
- **Chapter 3**, "Register Format" describes the details of register format of the ACL-8454, this information is very useful for the programmers who want to control the hardware by low-level programming.
- **Chapter 4**, "Signal Connection & Applications" describes the connectors' pin assignment and how to connect the outside signal and devices to / from the ACL-8454. Some applications are also introduced.
- **Chapter 5**, "High-level Programming" introduces the C-language library for operating the ACL-8454. Some examples are shown too.

Introduction

The ACL-8454 is a general purpose counter/timer and digital I/O card. It is a compact-size add-on card for IBM AT compatible PC in control, monitoring and sensing applications. There are two version of ACL-8454: ACL-8454/6 and ACL-8454/12. ACL-8454/6 has two 8254 chips (6 counters) on board. ACL-8454/12 has four 8254 chips (12 counters).

On ACL-8454/6, four counters are used for external signal, two counters are cascaded as 32-bit timer. On ACL-8454/12, eight counters are used for external signal, the rest of the four counters are designed as two 32-bit cascaded counters.

This card has multi-configurations. The counters can be set as independent counters or cascaded counters. The gate control of every counter comes from either external source or internal cascaded counter. The clock source comes from either internal or external can be selected by jumper setting. A 10 MHz oscillator is used as the base clock of internal clock sources.

It is possible to use this card on variety of powerful counter/timer functions to match your industry and laboratory applications. Users can set the configuration to fit the variety of applications, such as timer, event counter, frequency generator, pulse width measurement, and frequency measurement.

The card also provides digital output and input port. There are 8 digital output channels and these channels can be used to control the external devices. There are digital input channels and these channels are shared the same signal lines with the external clock and the external gate signals. Whenever the external clock or gate signals are not used, they can be dedicatedly used as D/I. There are at least 8 D/I bits under default setting of the ACL-8454 because only two 8254 chips are used.

ACL-8454 provides one interrupt signal which comes from one of four internal or external interrupt sources. Three internal interrupt sources come from the counter output. One external interrupt source shares with one D/I pin. The interrupt can be used for watchdog timer or other applications. One of the 11 interrupt levels on the AT-bus can be selected by setting jumper.

Figure 1.1 shows the block diagram of the ACL-8454.

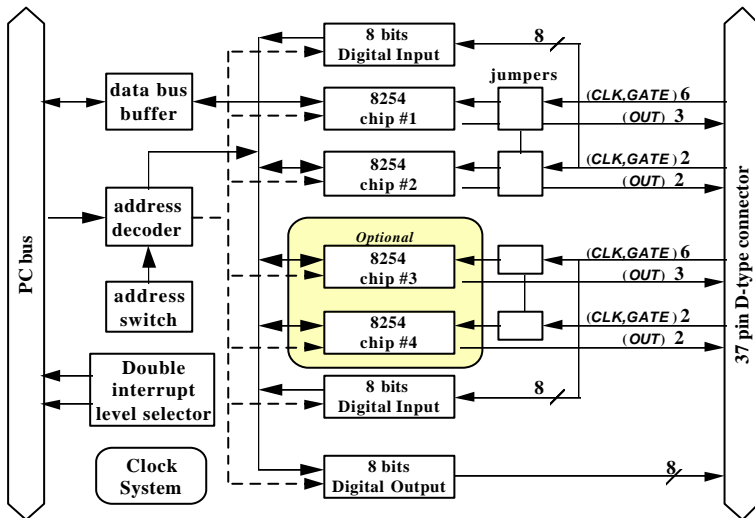


Figure 1.1. Block diagram of the ACL-8454

1.1 Features

The ACL-8454 Counter/Timer and digital I/O Card provides the following advanced features:

- Default 6 counters/timers are installed and it is expandable to 12 counters/timers at most
- Multi-configurations of counters/timers:
- Flexible setting for each independent counter, the clock source could be external, internal or cascaded. The gate signal is external controlled or internal cascaded signal.
- 8 digital output channels
- 16 digital input channels shared with the same signal lines with external gate control and external clock input
- Two interrupt sources
- The first interrupt source comes from output of counter #6 and this signal is jumper selectable to one of 4 IRQ channels
- The second interrupt source comes from either internal periodic or external source. This signal is jumper selectable to one of 5 IRQ channels.
- Synchronized 4 channels frequency measurement is possible
- 37-pin D-type female connector
- AT-Bus and compact size (Half-size only)

1.2 Applications

- Event counter
- Frequency generator
- Frequency synthesizer
- Pulse width measurement
- Low level pulse generator
- Time delay
- Industry automation
- Watchdog timer
- Laboratory and Industrial automation

1.3 Specifications

- ◆ **Programmable Counter/Timer**
 - **Device** : 8254 x 2 (default), or 8254 x 4 (at most)
 - **Counters** : 16-bit down counter
 - **Clock source** : internal clock, external source or cascaded
 - **Gate control** : default enable or external control

- ◆ **Digital I/O (DIO)**
 - # of input channels : 16 channels
 - # of output channels : 8 channels (dedicated output)
 - Electronics characteristics : TTL compatible signal

- ◆ **General Specifications**
 - **I/O Base Address** : 8 consecutive address space
 - **Interrupt IRQ** : IRQ 3, ..., IRQ 15 (9 levels jumper selectable)
 - **Connector** : 37-pin D-type female connector
 - **Operating Temperature** : 0° C ~ 60° C
 - **Storage Temperature** : -20° C ~ 80° C
 - **Humidity** : 5 ~ 95%, non-condensing
 - **Power Consumption** : +5 V @ 210 mA maximum
 - **Dimension** : 163mm(L) X 108mm(W)

2

Installation & Configurations

This chapter describes the configuration and function of the ACL-8454 and the steps to install the ACL-8454. At first, the contents in the package and unpacking information that you should care about are described. The versatile configurations of ACL-8454 are introduced so that you can configure it according to your applications. The default setting of ACL-8454 is shown at the end of this chapter.

2.1 What You Have

In addition to this *User's Manual*, the package includes the following items:

- ACL-8454 Enhanced Multi-function Counter/Timer Card
- Utility & Library Diskette or Manual & Software Utility CD

If any of these items is missing or damaged, contact the dealer from whom you purchased the product. Save the shipping materials and carton in case you want to ship or store the product in the future.

2.4 Default Configurations

To operate the ACL-8454 correctly, users should understand the structure of ACL-8454 and details of the possible configurations. The block diagram of the ACL-8454 is shown in chapter 1. It contains the clock system, counter system, interrupt system and address decoder etc. The following sections describe the details and the default setting is list in Table 2.1.

Items	Default Configuration	Setting by
Base Address	0x240	S1
Clock Source #1	2M Hz	CLOCK1
Clock Source #2	100K Hz	CLOCK2
8254 chips	U1, U2 installed U3, U4 not installed	--
Clock Sources of Counters	Internal Clock Source #1 (=2M Hz)	CK <i>n</i>
Gate Sources of Counter 1~4	External Gate	G1 ~ G4
Interrupt Level #1	IRQ 15	JP1
Interrupt Level #2	No Connection	JP2
Source of Interrupt Level #2	External Interrupt Sources	JP3

Table 2.1 Default Configuration of ACL-8454

You can change the ACL-8454's default configuration by setting jumpers and DIP switches on the card for your own applications. The card's jumpers and switches are preset at the factory. A jumper switch is closed (sometimes referred to as "shorted") with the plastic cap inserted over two pins of the jumper. A jumper is open with the plastic cap inserted over one or no pin(s) of the jumper.

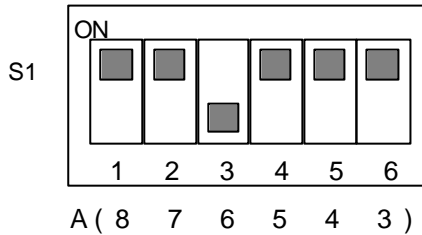
Before changing the default configuration, users must fully understand the operation of the ACL-8454. The setting and the basic operation theorem are discussed in this chapter. It is recommended to refer chapter 3 for details of the registers and to refer chapter 4 for application notes.

2.5 Base Address Setting

The ACL-8454 requires 8 consecutive address locations in the I/O address space. The base address of the ACL-8454 is restricted by the following conditions.

1. The base address must be within the range *Hex 200* to *Hex 3FF*.
2. The base address should not conflict with any reserved I/O address.
3. The base address must not conflict with any add-on card on your own PC. Please check your PC before installing the ACL-8454.

The base address of ACL-8454 is selected by a 6 positions DIP switch **S1**. The default setting of base address is set to be **HEX 240**. All possible base address combinations are listed as Table 2.2. You may modify the base address if the default address has been occupied by another add-on card.



A3 ~ A8 control the BASE I/O address.

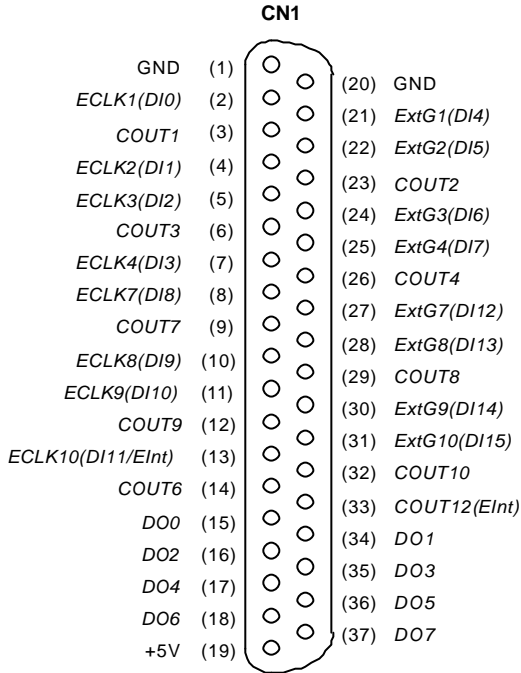
Figure 2.2 Default Base Address Setting

I/O port Address (Hex)	1 A8	2 A7	3 A6	4 A5	5 A4	6 A3
200-207	ON (0)	ON (0)	ON (0)	ON (0)	ON (0)	ON (0)
208-20F	ON (0)	ON (0)	ON (0)	ON (0)	ON (0)	OFF (1)
210-217	ON (0)	ON (0)	ON (0)	ON (0)	OFF (1)	ON (0)
218-21F	ON (0)	ON (0)	ON (0)	ON (0)	OFF (1)	OFF (1)
:	:	:	:	:	:	:
237-23F	ON (0)	ON (0)	ON (0)	OFF (1)	OFF (1)	OFF (1)
240-247 (default)	ON (0)	ON (0)	OFF (1)	ON (0)	ON (0)	ON (0)
248-24F	ON (0)	ON (0)	OFF (1)	ON (0)	ON (0)	OFF (1)
:	:	:	:	:	:	:
3F0-3F7	OFF (1)	OFF (1)	OFF (1)	OFF (1)	OFF (1)	ON (0)
3F8-3FF	OFF (1)	OFF (1)	OFF (1)	OFF (1)	OFF (1)	OFF (1)

* A3, ..., A8 is corresponding to PC Bus address lines

Table 2.2. Possible Base Address Combinations

2.6 Pin Assignment of Connector



Legend:

- ECLK n*** : External clock source for counter #*n*
- ExtG n*** : External gate signal for counter #*n*
- COUT n*** : Counter/Timer output of counter #*n*
- DO m*** : Digital output port channel #*m*
- DI m*** : Digital input port channel #*m*
- Eint*** : External interrupt signal input

Figure 2.3 Pin Assignment of Connector CN1

The pin assignment of the 37 pins D-type connector (CN1) is shown in Figure 2.3. The abbreviations of signal names are listed in Table 2.3. The signal name conventions are used through this manual. Some signal pins are multi-function signals. For example, the ***ECLK10*** are not only used as clock source of counter #10, but also be used as external interrupt source and be connected to digital input channel.

2.7 Clock System

The clock system of ACL-8454 provides the internal clock source for the 8254 chips. The block diagram of the clock system is shown in the Figure 2.4. Two clock sources, which named as **CLOCK1** and **CLOCK2**, are divided from the internal 10MHz signal. The clock of every counter/timer can be one of the 4 sources: **CLOCK1**, **CLOCK2**, **external clock source** or **cascaded source** from the 'last' channel. Refers to next section for details of setting clock for each counter/timer.

The crystal on ACL-8454 is 10 MHz which is the highest frequency of the card. The maximum speed of the 8254 chips can run under 10 MHz. As users plug the lower speed 8254 chips into ACL-8454, the lower frequency clock source should be used. A frequency divider is used to generate 2MHz for such circumstance.

Note: Certain versions of 8254 or 8253 chips, such as 8254-5, can run under only 2 MHz.

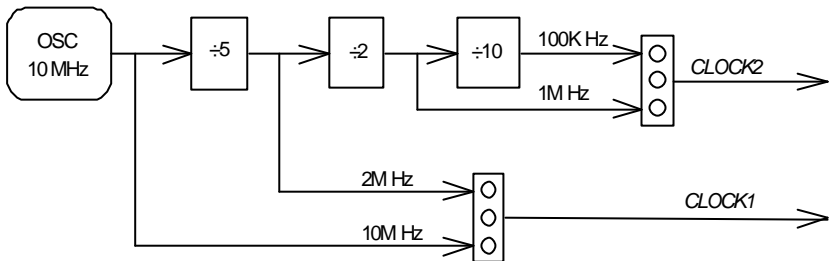


Figure 2.4 Clock system of ACL-8454

CLOCK1 (High Frequency)

The clock source of **CLOCK1** can be set by jumper 'CLOCK1'. The frequency could be **10 MHz** or **2 MHz**. Figure 2.5 shows the jumper setting and the corresponding frequency. The default setting of CLOCK1 is using 2 MHz.

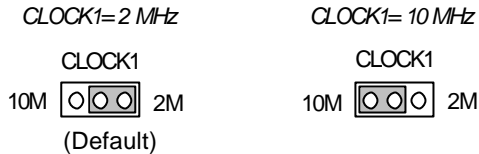


Figure 2.5 Jumper setting of CLOCK1

CLOCK2 (Low Frequency)

The clock source of **CLOCK2** can be set by jumper 'CLOCK2'. The frequency could be **1 MHz** or **100 KHz** which are divided from **CLOCK1**. The **CLOCK2** is provided for low frequency applications. Figure 2.6 shows the jumper setting and the corresponding frequency. The default setting of CLOCK2 is using 100 KHz.

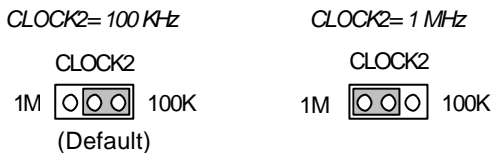


Figure 2.6 Jumper setting of CLOCK2

If user's application need a clock frequency lower than 100 KHz, the first method is to use external clock source, the second method is to use one counter to generate a frequency lower than 100 KHz then cascaded the low frequency signal to the other counter's clock source. This **cascaded counter** configuration is feasible on the ACL-8454 by jumper setting. See the next section for details of how to set cascaded counter.

2.8 Counters Architecture

There are at most four 8254 chips on the ACL-8454 card. The chip #1 (U1) and chip #2 (U2) are default mounted on the card, therefore 6 counters are default on board. It is possible to expand to four 8254 chips by plugging the additional chip #3 (U3) and chip #4 (U4) into ACL-8454 and totally 12 counters are available. The default counters on chip #1 and #2 are labeled as counter #1 to counter #6. The expandable counters on chip #3 and #4 are labeled as counter #7 to counter #12. Some counters are default configured as **independent counters** and the others are default configured as **cascaded counters**. Table 2.3 illustrates the relationship between the reference number of chips and the counters number.

8254 Chip Number	Reference Number	Counter Number	Type of Counter	Default Installed
Chip #1	U1	Counter #1	Independent	
		Counter #2	Independent	Installed
		Counter #3	Independent	
Chip #2	U2	Counter #4	Independent	
		Counter #5		Installed
		Counter #6	Cascaded	
Chip #3	U3	Counter #7	Independent	
		Counter #8	Independent	Not installed
		Counter #9	Independent	
Chip #4	U4	Counter #10	Independent	
		Counter #11		Not Installed
		Counter #12	Cascaded	

Table 2.3 Default Counters Architecture

There are three signals (2 input,1 output) for each counter, a clock input signal, a gate control signal, and an output signal. The Figure 2.7 illustrates the block diagram of the 8254 counter. **CLK1 ~ CLK12** are clock sources and **GATE1 ~ GATE12** are gate control signals. The **COUT1 ~ COUT12** are outputs of the counters. The Figure 2.8 shows all the labels and the inter-connection of the 8254 counters when all the 4 chips are installed. The **COUT5** and **COUT11** are used only for internal.

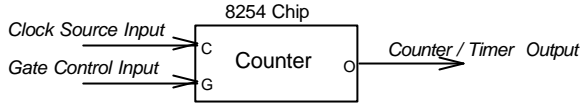


Figure 2.7 Block Diagram of the 8254 Counter

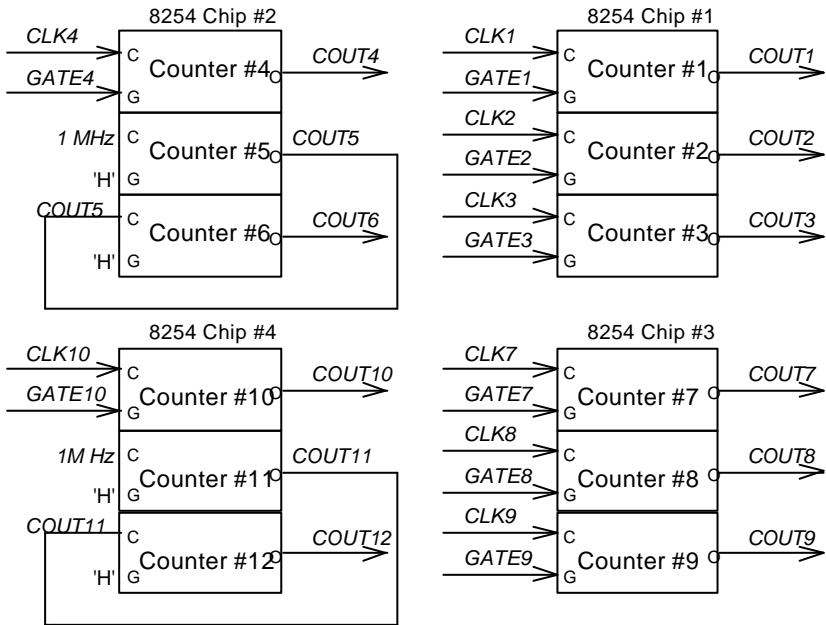


Figure 2.8 Counters Architectural

Independent Counters (Counter #1~#4, & Counter #7~#10)

The Counter #1 to Counter #4 and Counter #7 to Counter #10 are independent because the clock source and gate control of those counters can be set independently. These 8 counters are named as independent counters.

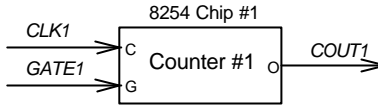


Figure 2.9 Example of 'independent counters'

Cascaded Counters

The connection of Counter #5, #6 and Counter #11, #12 are different with other independent counters. These four counters are named as cascaded counters because the clock sources of counter #5 and #11 come from fixed **1 MHz** and their output are cascaded to counter #6 and #12 respectively. In fact, counter #5, #6 and counter #11, #12 are designed for frequency divider by using 8254's square wave generator mode. The gates of these counters keep at 'H' level for enabling counters all the time. The **COUT6** and **COUT12** can precisely generate frequency upper to 250 KHz and lower to 0.000233 Hz. Note that the signals **COUT6** and **COUT12** can also be used as interrupt source. See 'Interrupt Sources' section for details. The following figure demonstrates a set of cascaded counter - counter #5 and #6.

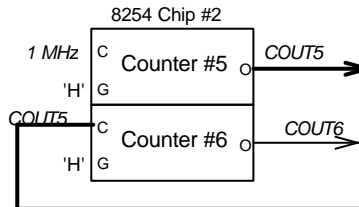


Figure 2.10 Example of 'cascaded counter'

User Configurable Cascaded Counters

Although there are two cascaded counter on board, users may need more cascaded counters. User can configure the jumper for the clock source of every independent counter. Therefore, the independent counter output can be cascaded to the next counter's clock source by jumper setting. Figure 2.11 demonstrates an example of the user configurable cascaded counter. Refer to next section for details of the clock source setting.

Multi-Configurations

The ACL-8454 provides multi-configurations for many situations. Users may need more independent counters for some applications. Users can installed one more 8254 to chip #3(U3) by yourself to get 3 more independent counters. It is also possible to install one more 8254 chip to #4(U4) and get one more set of cascaded counter or to get another internal interrupt source(refer to section 2.11).

The versatile configurations of ACL-8454 depend on user's applications. You may also order the extent version named as ACL8454/12. On which all four chips are installed when shipping.

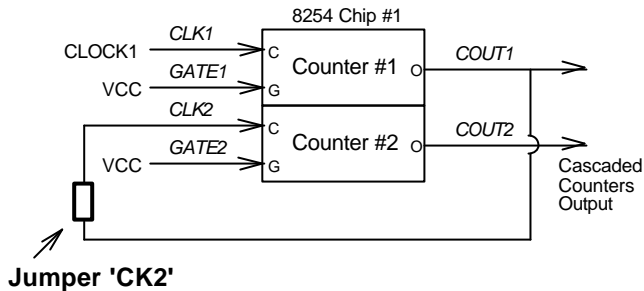


Figure 2.11 Example of 'user configurable cascaded counters'

2.9 Clock Source Configurations

For every independent counter, four signals can be chosen as clock source by jumper setting. The clock source of counter #*n* comes from either **CLOCK1**, **CLOCK2**, the external clock source (**ECLK *n***), or the cascaded counter output. Note that the clock sources of the cascaded counters (counter #5, #6, #11 and #12) are fixed.

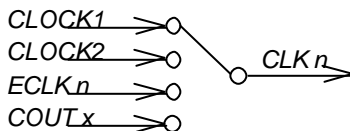


Figure 2.12 Clock Source of Counter #*n*

The two internal clock sources, **CLOCK1** and **CLOCK2** come from the clock system (see 'Clock System section'). The cascaded clock source comes from the output of the counter with smaller channel number. For example, the **COUT1** is cascaded to source of **CLK2**; the **COUT3** is cascaded to source of **CLK4**. The exceptions are the cascaded source of **CLK1** comes from **COUT4** and the cascaded source of **CLK7** comes from **COUT10**.

The external clock source named as **ECLK n** comes from the 37-pins connector. Figure 2.13 demonstrates the clock source jumper setting counter channel 1 (**CLK1**) by jumper 'CK1'. In this figure, the clock source comes from the internal source **CLOCK1**.

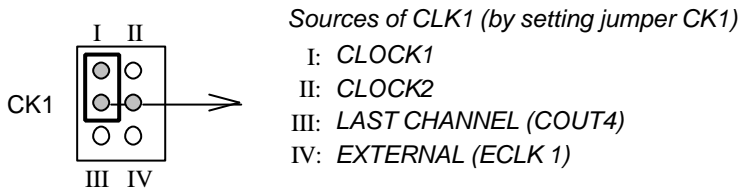
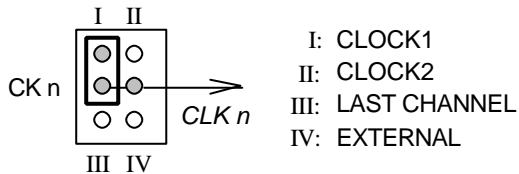


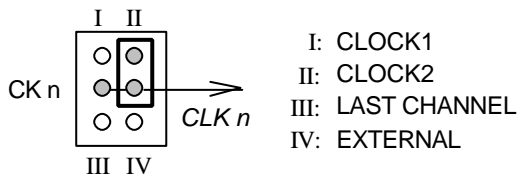
Figure 2.13 Setting the Clock Source of Counter #1

The jumper setting is flexible for user applications. There are four kinds of configurations for every clock source jumper.

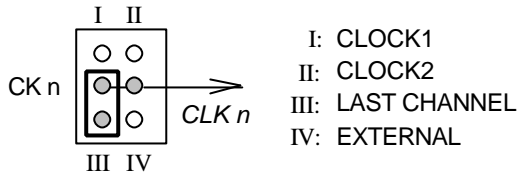
- (1) Use internal clock source **CLOCK1**.



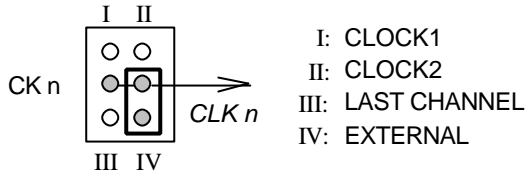
- (2) Use internal clock source **CLOCK2**.



- (3) Use cascaded clock source from the last channel.



- (4) Use external clock source **ECLK n**.



The Table 2.4 shows the reference number of the clock source jumpers and its corresponding counter/timer channels number. The default setting of every jumper is also shown. The clock sources of **CLK1~4** come from internal source '**CLOCK1**' and the clock sources of **CLK7~10** come from external sources.

Clock source of counter/timer	Reference number of jumper	Default clock source
CLK1	CK1	CLOCK1
CLK2	CK2	CLOCK1
CLK3	CK3	CLOCK1
CLK4	CK4	CLOCK1
CLK7	CK7	ECLK7
CLK8	CK8	ECLK8
CLK9	CK9	ECLK9
CLK10	CK10	ECLK10

Table 2.4 Reference Numbers of Clock Setting Jumpers

2.10 Gate Control Configurations

The gate control signals of the independent counters are internally pulled high hence they are default enabled if no external gate used. When the external gate signals are used, the counters can be used to measure pulse width. Moreover, the gate of counter #1 ~ #4 come from the reverse of counter #6 output by jumper selecting. Therefore, the time interval of the counter gate can be precisely controlled and frequency measurement is possible. Figure 2.14 shows the jumper setting of gate control of counter #1 ~ #4.

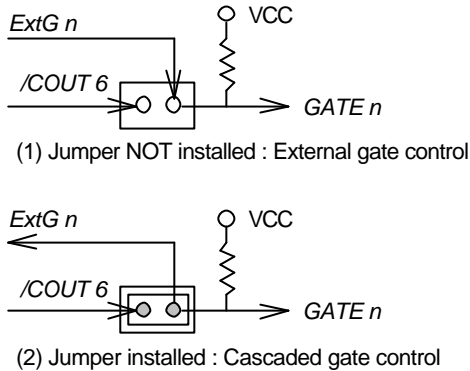


Figure 2.14 Gate source of counter #1 ~#4

The jumper setting is flexible for users' applications. There are two configurations: jumper installed or NOT installed. The default state of jumper is not installed and the counter can be controlled externally or just pull-high enable. When the jumper installed, the gate is cascaded from counter #6 output and the **ExtG n** signal is an output signal.

Note that the external gate source must NOT be used when cascaded gate source is used. Table 2.5 shows the reference number of the gate control jumpers and its corresponding counter/timer channels number. The default setting of every jumper is also shown.

Jumper Label	Gate source of counter/timer	Default gate source
G1	GATE1	ExtG1
G2	GATE2	ExtG2
G3	GATE3	ExtG3
G4	GATE4	ExtG4

Table 2.5 Reference number of clock setting jumpers

2.11 Counter Outputs

The timer/counter output signals (**COUT n**) of 8254 are controlled by clock source, gate control and software program. All the outputs of the 8 independent counters are sent to the 37 pins connector directly. The **COUT6** and **COUT12** of the two pairs of cascaded counters are also sent to connector. Therefore, totally 10 counter outputs are sent to connector, see 'Pin assignment' for corresponding signal pin number.

In addition, the output-signals may be used as clock sources or gate controls of the cascaded counters, see the above sections. It is possible to cascaded two counters by jumpers. The counters output **COUT6**, **COUT12** are also used as internal interrupt source (refers to 'Interrupt System').

2.12 Interrupt System

The ACL-8454 has *two interrupt sources* on board. That means the two interrupt levels or two IRQ lines can be used by this board. The block diagram of the interrupt system is shown in Figure 2.15.

The two IRQ channels can be set by jumper **JP1** and **JP2** respectively. The high IRQ level is jumper wired to IRQ 10~15 and the low IRQ level is jumper wired to IRQ 3~9. The source of the high IRQ level comes from **/COUT6** which is the **reversed output** of cascaded counters.

The reversed **COUT6** interrupt is very useful because the **/COUT6** is also send to the gate control of counter #1 ~ #4 for frequency measurement. While **/COUT6** is high, the frequency measurement is counting. When **/COUT6** goes low, the counting is ending and an interrupt is generated from interrupt system so that the software can sample and memorize the result of frequency measurement. In watchdog application, using reversed **COUT6** has no problems because the frequency of **COUT6** and reversed **COUT6** is the same.

The sources of the low IRQ level come from internal (**COUT12**) or external (**ECLK10**) source which are jumper selectable by **JP3**. Note the **COUT12** is not reversed counter output.

Note: The IRQ channels must not conflict with other add-on cards on your PC.

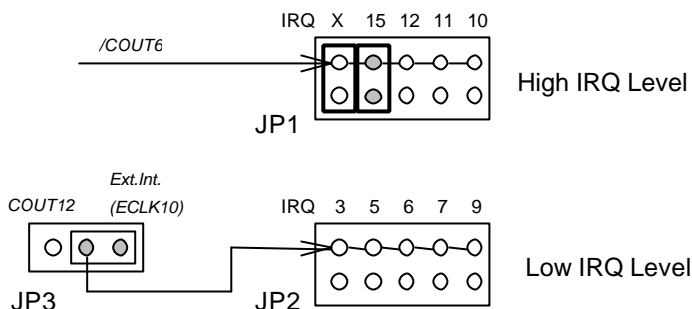


Figure 2.15 Block diagram of interrupt system

The default setting of the high and the low IRQ levels come from **/COUT6** and **ECLK10** respectively. The interrupt system on ACL-8454 is very flexible to use. No matter under any system configuration, it is possible to generate interrupt internally or externally.

In fact, when chip #4 are not installed, the **COUT12** are floating and its corresponding pin in the connector can be used as digital input pin or external interrupt source. Whenever 8254 chip #4 is installed, it is an internal interrupt source, otherwise, it is used as an external clock source or just a digital input signal. The following table lists the combinations of the interrupt sources. The label 'i' means 'internal' source and the label 'e' means 'external' source. The label 'DI' means the signal can be used as digital input pin dedicatedly.

	Chip #1	Chip #2	Chip #3	Chip #4	/COUT6	COUT12	ECLK10	Remarks
1	√	√	×	×	i	e	DI	ACL-8454 / 6
2	√	√	√	√	i	i	e	ACL-8454 / 12
3	√	√	√	×	i	e	DI	user installed
4	√	√	×	√	i	i	e	user installed

Table 2.6 Chips installation and interrupt sources

When 2 default chips (#1 and #2) are installed on ACL-8454, **/COUT6** is internal but **COUT12** can be used as external interrupt source. **ECLK10** is still used as digital input pin. If user installs the chip #3 by yourself, the interrupt sources are in the same configuration as condition 1.

When all 4 chips are installed, **COUT6**, **COUT12** are internal interrupt sources, only **ECLK10** can be used as external. If user installs the chip #4 by yourself, the interrupt sources are the same configuration as condition 2.

2.13 Digital Input and Output

To program digital I/O operation is fairly straightforward. The digital input operation is just to read data from the corresponding registers, and the digital output operation is to write data to the corresponding registers. The digital I/O registers' format are shown in section 3.11. It is not necessary to set any jumper for digital I/O.

2.14 Summary of Default Setting

- Chip #1 and chip #2 are installed. Counter #1 ~ counter #6 are available. Chip #3 and chip #4 are not installed.
- Counter #1~ #4 and counter #7~#10
 $CLK\ n = CLOCK1\ n$
 $GATE\ n = ExtG\ n$
- Counter #5 and Counter #6
 $CLK5 = 1\ \text{MHz}$
 $CLK6 = COUT5$
 $GATE11,12$ are default enable
- Counter #11 and Counter #12
 $CLK11 = 1\ \text{MHz}$
 $CLK12 = COUT11$
 $GATE11,12$ are default enable

2.15 Notes for Installing More 8254 Chips

The user can install 8254 chips to ACL-8454 card by yourself. Before install the additional 8254 chip, please make sure the ACL-8454 card is removed from the PC slot, no power is applied and no external daughter board is attached.

When plugging 8254 chips, please check the pin of chips must not be fold and install the chip into the socket carefully. After installing the chip, please configure the jumper setting of the ACL-8454 card according to your application. At first the clock source of counter #7 ~ #10 should be set. The gate source of counter #7~#10 cannot be configured, however, user should notice whether if any external gate source or digital signal is connected to the signals. The un-wanted signal may control the gate source of the counters can cause your application fail.

The low IRQ source should also be checked because the counter #12 is installed and **COUT12** can only be used as internal interrupt source if 8254 chip #4 is installed. Please take care the issues mentioned above.

Registers Format

This chapter describes details of the register format of the ACL-8454. This information is quite useful for the programmers who wish to handle the card by low-level program.

In addition, the low level programming is introduced. This information can help the beginners to manipulate the ACL-8454 in the shortest learning time.

3.1 I/O Port Address

The ACL-8454 requires 6 consecutive addresses in the PC I/O address space. There are four 8254 chips in ACL-8454, however, these 8254 chips use the same I/O address. Two chip select bits are used to select active chip. The Table 3.1 shows the I/O address of each register with respect to the base address.

I/O Address	Write	Read
Base + 0	Counter 0	Counter 0
Base + 1	Counter 1	Counter 1
Base + 2	Counter 2	Counter 2
Base + 3	Mode Control	No use
Base + 4	Chips select	DI low byte <i>ECLK1~4, ExtG1~4</i>
Base + 5	Digital Output	DI high byte <i>ECLK7~10, ExtG7~10</i>

Table 3.1 I/O Address Map of ACL-8454

3.2 Timer/Counter Registers

Every 8254 occupies 4 I/O address locations in the ACL-8454 as shown below. Condensed information is specified in Appendix B Timer/Counter Operation. Users can refer to Tundra's website ("<http://www.tundra.com>") or Intel's data sheet for a fully descriptions of the 8254 features (see "<http://support.intel.com/support/controllers/peripheral/231164.htm>"). Note that only one 8454 chip can be enabled at the same time.

Address : BASE + 0 ~ BASE + 3

Attribute : read / write

Data Format :

Base + 0	Counter 0 Register (R/W)
Base + 1	Counter 1 Register (R/W)
Base + 2	Counter 2 Register (R/W)
Base + 3	8254 Mode Control Register (W) 8254 Read Back Register (R)

3.3 Chip Select Register

Although there are at most four 8254 chips can be installed on board, however, only one 8254 can be selected at the same time. The bits 0, 1 of the chip select register (CS1 and CS0) are used to select 8254 chips. Whenever a chip is selected (active), the 8254 I/O address (BASE+0 ~ BASE+3) is selected by this chip. The active chip is enabled by CS0 and CS1 according the following table.

Address : BASE + 4

Attribute : write only

Data Format :

Bit	7	6	5	4	3	2	1	0
Base + 4	--	--	--	--	--	--	CS1	CS0

8254 Chip #	CS1	CS0
Chip #1	0	0
Chip #2	0	1
Chip #3	1	0
Chip #4	1	1

3.4 Digital Input Registers

There are 16 digital input channels on the ACL-8454. The digital input channels are common with the external gate signals (**ExtG 1~3 & ExtG 7~10**) and the external clock signals (**ECLK 1~3 & ECLK 7~10**). The external clock source **ECLK n** and external gate control **ExtG n** can be read back from the DI ports. When the external clock sources and the external gate signals are not used for counters, these channels can be used as digital input signal dedicatedly. For example, the chip #3 and #4 are not installed under default configuration, **ECLK7~10** and external gate **ExtG7~10** are not used hence the port (BASE+5) can be used as a digital input port dedicatedly. Even if these external clock or gate signals are used for counters, the input port can still monitor their signal level.

Address : BASE + 4 & BASE + 5

Attribute : read only

Data Format :

Bit	7	6	5	4	3	2	1	0
Base + 4	DI7	DI6	DI5	DI4	DI3	DI2	DI1	DI0
Base + 5	DI15	DI14	DI13	DI12	DI11	DI10	DI9	DI8

or

Bit	7	6	5	4	3	2	1	0
Base + 4	ExtG4	ExtG3	ExtG2	ExtG1	ECLK4	ECLK3	ECLK2	ECLK1
Base + 5	ExtG10	ExtG9	ExtG8	ExtG7	ECLK10	ECLK9	ECLK8	ECLK7

3.5 Digital Output Register

The register is a general purpose 8 bits digital output port. These signals can be used to control external devices.

Address : BASE + 5

Attribute : write only

Data Format :

Bit	7	6	5	4	3	2	1	0
Base + 5	DO7	DO6	DO5	DO4	DO3	DO2	DO1	DO0

3.6 Low-level Programming

To manipulate the ACL-8454, users may understand how to write a hardware dependent low-level program. Using either assembly or high-level language such as BASIC or C language can carry out the low-level programming. The following gives examples to show how to use programming language to access an add-on I/O card.

Getting Start

Before programming, the add-on card should be correctly installed. After installing the card, the users should already understand how much system (PC) resources are used by this card, such as I/O address, IRQ channels, and even DMA channel, etc.

The second step is to study the register format and the operation theorem of the card. Then users can try to write low-level programs to operate it. Although the high-level program library is available, the low-level programming can improve the efficiency and perform functions which the library does not support. The low level programming is not difficult and may be necessary to understand.

Programming Language

The programming language to be used is dependent on users' familiarity and the system requirement. No matter what kind of language is used, the user must understand the syntax of the I/O instructions to access the I/O card. The following sections introduce the syntax of the often used programming language. In each section, the write (output) port instruction and the read (input) port instruction are shown. In the examples, the base address of the I/O card is assumed as *HEX 240* and the port of the register to be access is *BASE+2*.

Assembly

To write an output port:

```
out 240h,value
out 240h,register
```

To read an input port

```
in A, 240h
```

BASIC language

To write an output port:

```
10  BASE=&H240
20  VALUE% = &H2F
30  OUT( BASE+2), VALUE %
```

or

```
10  OUT( &H242 ), &H20
```

To read an input port

```
10  BASE=&H240
20  VALUE=INP( BASE+2)
```

or

```
10  VALUE=INP( &H242 )
```

C language (Borland C++)

To write an output port:

```
#define  BASE      0x240
unsigned int      Value=0x2F;
outportb( BASE+2 , Value );
```

or

```
outportb( 0x242 , 0x2F );
```

To read an input port

```
#define  BASE      0x240
unsigned int      Value;
Value = inportb( BASE+2 );
```

or

```
Value = inportb( 0x242 );
```

Perform Functions

Users should study the operation theorem and the relative data sheet to understand how to operate this card, and then use the low-level programming to perform those functions. Generally, the DIO control can be easily performed by only a few instructions, it is very suitable to use the low level programming.

As to the higher-level functions such as the interrupt service routines, pulse width measurement, frequency measurement, etc, user may use the library or modify the examples to carry them out. However, fully understanding of the PC system is necessary for certain applications.

4

Signal Connections & Applications

This chapter describes the connectors and some application wiring of the ACL-8454. Including the signal connection between the ACL-8454 and external devices, such as daughter boards or other devices.

4.1 Connectors Pin Assignment

The ACL-8454 comes equipped with a D-type 37 pin female connector (CN1). The CN1 is located at the rear plate. The pin assignment of the connector is illustrated in the Figure 2.1. Refer to section 2.1 for details of pin assignment.

4.2 Daughter Board Connection

The ACL-8454 can be connected with daughter boards ACLD-9137, ACLD-9138, ACLD-9188, and DIN-37D to extend the bus.

4.3 Digital I/O Connection

The ACL-8454 provides 16 digital input and 8 digital output channels through the connector CN1. The digital I/O signals are fully TTL/DTL compatible.

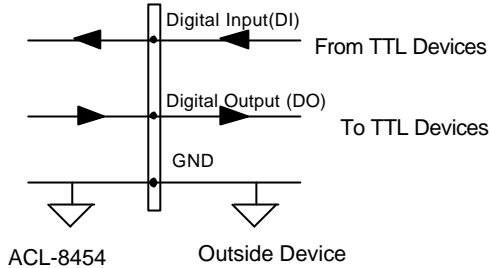


Figure 4.1 Digital I/O Connections

4.4 Timer / Counter Connection

The ACL-8454 has four 8254 chips on board. It offers 8 independent 16-bit programmable down counters and two pairs of cascaded counters. To implement your applications, you can follow the procedure to design your applications and connect the signals.

1. Check if the frequency of the clock source is fixed, if answer is 'No' then go to step 7.
2. Calculate the frequency of clock according to your application and decide the clock source: internal, external, or cascaded. Then decide which counter is used.
3. If internal clock source is used, configure the CK n jumpers according to the calculation in step 2.
4. If external clock source is used, to generate a clock source outside the board and check the frequency.
5. If cascaded clock source is used, to configure and program the cascaded timer to generate the desired clock source.
6. If frequency of the clock is not fixed, only external source can be used and then connect the external jump wires according to your application.
7. Decide the gate control source: always enable, externally control, or cascaded controlled.
8. To connect or configure the gate signal of counter/timers.
9. To program the counter/timers using desired mode.

4.5 Frequency Generator

Example 1 : To generate a 250 KHz Square Wave.

- step 1: To use **fixed** clock source because the output is a fixed frequency.
- step 2: Internal 2 MHz clock source is suitable to generate a 250 KHz square wave. Use Counter #4 for this application.
$$50 \text{ KHz} = 2 \text{ MHz} / 8$$
- step 3: Set jumper 'CK4'. The clock source is coming from internal 'CLOCK1'. Note that the CLOCK1 must be set as 2 MHz. However, the CLOCK1 is shared with other counters. You must consider the clock source of other counters which using CLOCK1 in the same time.
- step 4 ~ 6 : Skip these steps.
- step 7: The gate source is always enabled. Note the jumper 'G4' should be removed and no external gate is used.
- step 8: Connect the counter output to external device. The following block diagram illustrates the application.
- step 9: Write the control program. Please refer the 'DEMO1.C' source code.

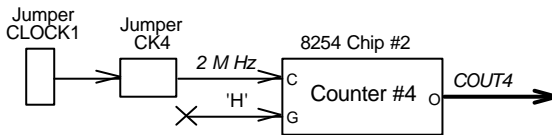


Figure 4.2 Example of frequency generator (1)

Example 2 : To generate a very low frequency of 1 pulse / 1 hour

- step 1: To use **fixed** clock source because the output is a fixed frequency.
- step 2: Because the desired frequency ($1/3600\text{sec}=0.000278\text{Hz}$) is too slow to use one counter to generate. Even if using cascaded counter architecture, the clock frequency of the first stage counter must be as low as possible. At first, try to use **internal** clock. Assume the clock of the first stage is 100 K Hz. then the frequency divider value of the two cascaded counters is:

$$100 \text{ K Hz} / 0.000278 \text{ Hz} = 360,000,000$$

It is really a large number. Share the divider value to the two counters, for example, the divider of the first stage can be 60000 and the divider of the second stage is 6000.

$$360,000,000 = 60000 \times 6000$$

Therefore, 'user configurable cascaded counters' can be used to solve this problem. The counter #1 and #2 are used in this example.

- step 3: Set jumper 'CK1'. The clock source is internal 'CLOCK2' and it is set as 100 KHz in default. Then set jumper 'CK2' and the clock source is coming for the output of the 'Last channel (#1)'.
- step 4: Skip these steps.
- step 5: Write and verify the control program for counter #1.
- step 6: Skip these steps.
- step 7: The gate source of the two counters is enable always. Note the jumper 'G1' and 'G2' should be removed and no external gate signals are used.
- step 8: Connect the counter #2 output to external device. The following block diagram illustrates the application
- step 9: Write and verify the control program. Please refer the 'DEMO2.C' source code.

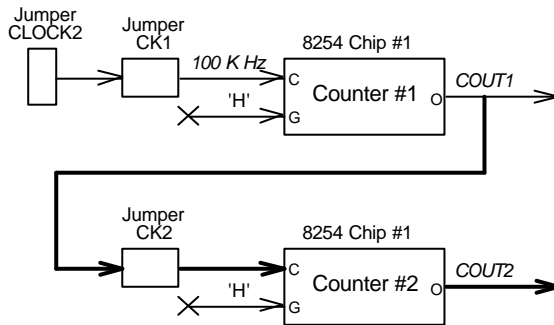


Figure 4.3 Example of frequency generator (2)

4.6 Pulse Width Measurement

Example : To measure pulse width (with $DT < 32ms$)

step 1: To use **fixed** clock source as base time interval (or base frequency).

step 2: Assume **Internal 2M Hz** clock is used. The time base is

$$Dt = 1/2M = 5 \times 10^{-7} \text{ sec}$$

The count range for measuring pulse width is:

$$Dt < \text{pulse width} < Dt * 65535 (=32.768 \text{ msec})$$

If the specification of the pulse width to be measured is in the range, the 2M Hz can be used. Otherwise changing the base frequency of the counter. The counter #3 is used in this example.

step 3: Set jumper 'CK3' for internal 2 M Hz clock source.

step 4 ~ 6 : Skip these steps.

step 7: The external gate source is just the signal to be measured. The width of the high pulse can be measured. Note that if the pulse is shorter, the time resolution is worse. If the pulse is wider, the limitation of the maximum pulse width should be care.

step 8: The following block diagram illustrates the application.

step 9: Write the control program. Please refer the 'DEMO3.C' source code.

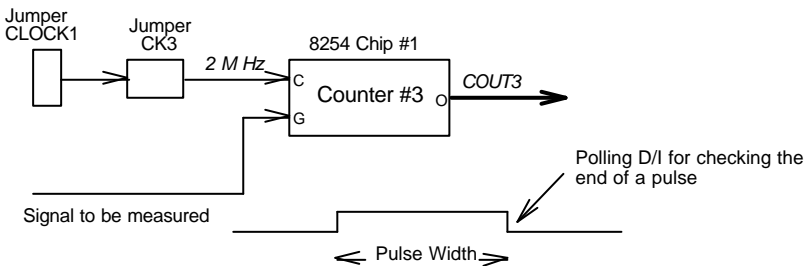


Figure 4.4 Example of pulse width measurement

4.7 Frequency Measurement

Example : To measure frequency around 1~100 K Hz

- step 1: This application needs two counters. One counter is used to generate a pulse whose time interval is very precise. The pulse is used to enable the other counter (counting counter) by gate control. On ACL-8454, internal gate control is possible. The internal gate is coming from /COUT6. In this example, the pulse generate is counter #6 and the counter #1 is used to measure frequency.
- step 2: The maximum value of counting counter is no more than 65535. For measuring 100 K Hz frequency, the time interval should be within $1/100 \text{ K Hz} \times 65535 = 0.655 \text{ sec}$. If the time interval is wider then the measurement resolution is better, however, if time interval is too long the counting value will be overflow. That means the low pulse width of counter #6 output should shorter than 0.655 sec. User can try to generate the pulse by counter #6 by yourself.
- step 3: Configure jumper 'CK1'. The clock source is the signal to be measured.
- step 4~6: Skip these steps.
- step 7: Set the internal jumper 'G1'. The gate is controlled internally.
- step 8: The following block diagram illustrates the application
- step 9: Write and verify the control program. The frequency of the signal is :
- frequency = counting value of counter #1 / precise time interval**
- Please refer the 'DEMO4.C' source code.

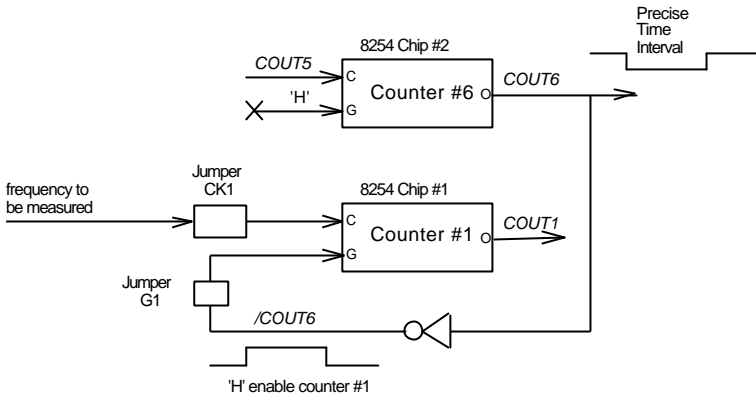


Figure 4.5 Example of frequency measurement (1)

The ACL-8454 can **synchronously** measure frequency from **four** channels because the internal gate control is connected to 4 counters (#1~4) in the same time. Furthermore, as the gate signal goes low, an interrupt is generated. The user can write an ISR to sample and calculate the frequency of all the 4 channels. This feature is very useful in control system.

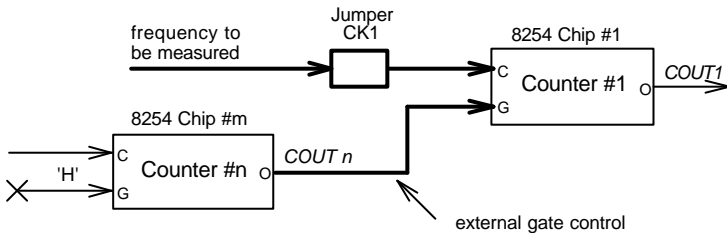


Figure 4.6 Example of frequency measurement (2)

Note that the precise gate signal is not necessarily coming from the internal source. The gate can be generated by any counter and route to gate of counters externally (refer Figure 4.6.). The frequency measurement application is quite complicated. User should also be careful of the frequency range to be measured then design a system according to the system specification.

4.8 Event Counter

Example : To count external event in 1 sec

- step 1: This application needs one counter to generate a time base of 1 sec and the second counter to count the event. The cascaded counter #5, #6 can perform the watchdog timer. Counter #1 is used as an example to count external event. The clock source of counter #1 is the event signal and the frequency is not fixed.
- step 2~6: Skip these steps.
- step 7: The gate source is always enabled and the external gate must be removed.
- step 8: Connect the signal according to Figure 4.7.
- step 9: Write the control program. Please refer the 'DEMO5.C' source code.

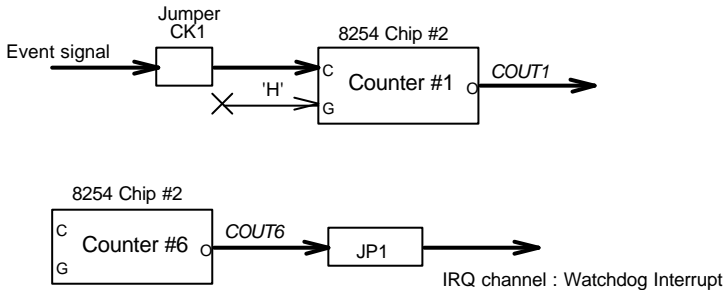


Figure 4.7 Example of event counter

4.9 Double Interrupt System

One internal plus one external interrupt sources

The ACL-8454 provides double interrupt sources which are very useful in some application. For example, most of the application needs a watchdog timer to monitor the system periodically, hence, an IRQ channel is used. In addition, the emergency control may be necessary, hence, an additional external IRQ channel is helpful to handle the situation. Therefore, double interrupt level is necessary. The external interrupt source can be routed to **COUT12** if 8254 chip #4 is not installed.

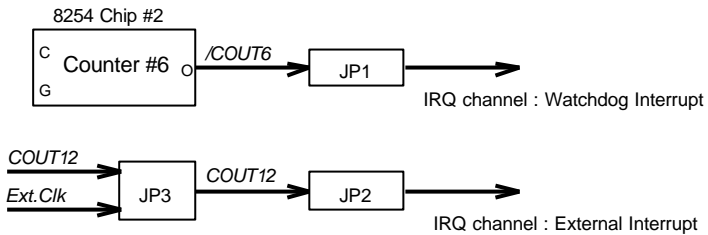


Figure 4.8 Example of double interrupt system

Two internal interrupt sources

For certain application, **/COUT6** is used to generate gate control pulse for measuring frequency and to generate interrupt too. This internal IRQ channel is used to calculate frequency data. However, another internal watchdog timer interrupt may be still necessary. Users can install 8254 chip #4 to get one more pair of cascaded counters (#11, #12). The **COUT12** can be used as watchdog interrupt source. Therefore, two internal interrupt sources are available.

5

High-Level Programming

There are more than 10 functions provided by the C language library. By using the C language library, it saves a lot of programming time.

If you need to perform some special functions which are not provided in the library, you can modify the library according to your requirement. The fully commented C source of the library is also included in your software library diskette. It is a good starting point for C language programmers who wish to modify the functions in the library.

In addition to library and source code, some demonstrating programs are also included in the disk. It will help you to understand the library more quickly.

Please refer to the demonstration examples in the software to get examples of the using of the library

5.1 Installation

◆ MS-DOS/Windows 3.1 Software Installation

With "ACL-8454 Library & Utility" diskette:

1. Turn your PC's power switch on.
2. Put the " ACL-8454 Library &Utility" diskette into your floppy drive A: or B:

for DOS : A:\DOS\SETUP.BAT

for Win 3.1 : A:\WIN31\SETUP.BAT

◆ **With CD-ROM:**

1. Turn your PC's power switch on.
2. Put the CD-ROM into your CD-ROM drive.
3. Type the commands:

Dos:

```
X:\> CD\NuDAQISA\8454\DOS
```

```
X:\NuDAQISA\8454\DOS> SETUP
```

(x identifies the drive that contains the CD-ROM)

After installation, all the files of ACL-8454 Library & Utility for DOS are stored in C:\ADLink\8454\DOS directory.

Windows 3.1:

```
X:\> CD\NuDAQISA\8454\WIN31
```

```
X:\NuDAQISA\8454\DOS> SETUP
```

(x identifies the drive that contains the CD-ROM)

After installation, all the files of ACL-8454 Library & Utility for Windows 3.1 are stored in C:\ADLink\8454\W31 directory.

◆ **Win-95/Win-NT Software Installation**

With "ACL-8454 Library & Utility" diskette:

1. Turn your PC's power switch on.
2. Put the " ACL-8454 Library &Utility" diskette into your floppy drive A: or B:

for Win-95 : A:\Win95\SETUP.EXE

for Win-NT: A:\WinNT\SETUP.EXE

With CD-ROM:

step 1: Place the ADLink CD-ROM into the appropriate CD drive.

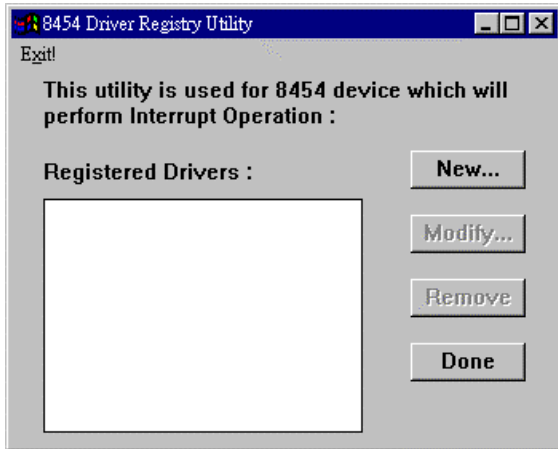
step 2: If auto-run setup program is not invoked automatically, please execute X:\setup.exe. (X indicates the CD-ROM drive)

step 3: Select NuDAQISA→ACL-8454→Win95DLL or NuDAQISA →ACL-8454→WinNT DLL to install software.

[Win-NT only]

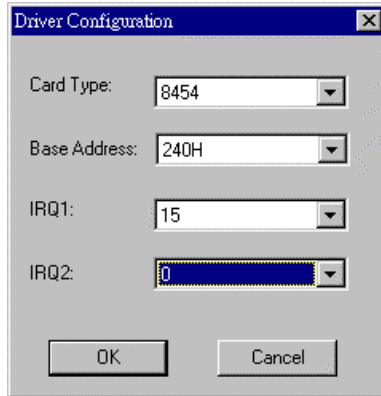
When the software component installation process is completed and the system that ACL-8454 Library is installed on is *Windows NT*, Setup will launch the *Driver Registry Utility (8454Util.exe)* for you to make the registry of the drivers that you want to perform *interrupt operation*.

The *Driver Registry Utility* first shows the following window. If 8454 driver has been registered, it will be shown on the *Registered Driver* list.



If the ACL-8454 device **DOES NOT** want to perform interrupt operation', please click "Done" or "Exit!" to exit this utility. Click "New..." button and a *Driver Configuration* window appears for you to set IRQ levels and base address.

ACL-8454 can support two interrupt lines. One is IRQ1 (high IRQ) from /COUT6 which is the reversed output of internal cascaded counters and the other is IRQ2 (low IRQ) from COUT12 which is from internal timer or external source (ECLK10). The "Driver Configuration" window for ACL-8454 is:



If you don't need to use both of these two IRQ lines, set the unused IRQ level as "0". Then you can save one IRQ level for your system.

After the setting for IRQs level and base address, click "OK" to register the driver.

When you finish the driver register, select "Done" or "Exit!" to exit this utility. To make the registered drivers work, you have to re-start Windows NT system.

Note : If your device driver can not be started, please check if the resources (I/O Port Address or IRQ Level) conflict with other hardware device. You can use *8454Util* utility to change the resource setting. After the ACL-8454 DLL for Win-NT is installed, this utility is located in <InstallDir>\Util directory.

[Win-95 & Win-NT]

After you complete the installation of ACL-8454 Library, ACL-8454's DLL (8454.DLL) is copied to Windows System directory (default is C:\Windows\System for Win95 or C:\Winnt\System32 for Win-NT). The driver files for Win-95 (w95_8454.VXD) are copied to the Windows System directory (default is C:\Windows\System) or the driver files for Win-NT (DIO.SYS and 8454.SYS) are copied to the Windows NT System Drivers directory (the default directory is C:\Winnt\System32\Drivers).

5.2 W_8454_Initial

@ Description

To initial the base address used which used by the following functions. The default base address set in the library is 0x240. However, you should call this function before using others functions.

@ Syntax

Microsoft C/C++ (Windows, Win95 & Win-NT)

```
int W_8454_Initial(int base_address)
```

Visual Basic

Windows 3.11 Version:

```
W_8454_Initial (ByVal base_address As Integer) As Integer
```

Win-95 or Win-NT Version:

```
W_8454_Initial (ByVal base_address As Long) As Long
```

C/C++ (DOS)

```
int _8454_Initial( int base_address )
```

@ Arguments

int base_address : base address of the card

@ Return Value

No_Error : No error

Base_Address_Error : When the base address is illegal

5.3 Set_Chip

@ Description

This is a macro which is used to select or active one of the four 8254 chips. Refer the 8454.H for the definition of the Set_Chip macro. This macro is used by other functions in this library, it may not necessary be used by users.

@ Syntax

Microsoft C/C++ (DOS, Windows, Win95 & Win-NT)

```
Set_Chip( int ChipNo )
```

@ Arguments

int ChipNo : chip number, equal 1 to 4.

@ Return Value

No return value

5.4 W_8454_Write_Counter

@ Description

To write a command to a counter. The user can directly assign the counter number 1~12, therefore it is not necessary to care about the chips number and other details. The output and response of the counter is dependent on the 'Mode' argument and the configuration on hardware.

@ Syntax

Microsoft C/C++ (Windows, Win95 & Win-NT)

```
int W_8454_Write_Counter(int CntrNo,int Mode,unsigned int  
CntrVal)
```

Visual Basic

Windows 3.11 Version:

```
W_8454_Write_Counter (ByVal CntrNo As Integer, ByVal  
Mode As Integer, ByVal CntrVal As Integer) As Integer
```

Win-95 or Win-NT Version:

```
W_8454_Write_Counter (ByVal CntrNo As Long, ByVal Mode  
As Long, ByVal CntrVal As Long) As Long
```

C/C++ (DOS)

```
int _8454_Write_Counter(int CntrNo,int Mode,unsigned int  
CntrVal )
```

@ Arguments

int CntrNo : Counter number, equals to 1~12
int Mode : Operation mode of counter, equals to 1 ~6
unsigned int CntrVal : The 16 bits counter value to write to the counter.

@ Return Value

No_Error : No error
Invalid_Counter_No : CntrNo is out of range.
Invalid_Timer_Mode : Mode is out of range

5.5 W_8454_Read_Counter

@ Description

To read the counter value from a counter. The user can directly assign the counter number 1~12, therefore it is not necessary to care about the chips number and other details.

@ Syntax

Microsoft C/C++ (Windows, Win95 & Win-NT)

```
int W_8454_Read_Counter (int CntrNo, int *Mode, unsigned  
int *CntrVal)
```

Visual Basic

Windows 3.11 Version:

```
W_8454_Read_Counter (ByVal CntrNo As Integer, Mode As  
Integer, CntrVal As Integer) As Long
```

Win-95 or Win-NT Version:

```
W_8454_Read_Counter (ByVal CntrNo As Long, Mode As  
Long, CntrVal As Long) As Long
```

C/C++ (DOS)

```
int _8454_Read_Counter(int CntrNo, int *Mode, unsigned int  
*CntrVal)
```

@ Arguments

int CntrNo : Counter number, equals to 1~12
int *Mode : Operation mode of counter, equals to 1 ~6
UINT *CntrVal : address to save the read back counter value

@ Return Value

No_Error : No error
Invalid_Counter_No : CntrNo is out of range.

5.6 W_8454_Stop_Counter

@ Description

This function is used to stop a specified counter. The user can directly assign the counter number 1~12, therefore it is not necessary to care about the chips number and other details.

@ Syntax

Microsoft C/C++ (Windows, Win95 & Win-NT)

```
int W_8454_Stop_Counter (int CntrNo, unsigned int *CntrVal)
```

Visual Basic

Windows 3.11 Version:

```
W_8454_Stop_Counter (ByVal CntrNo As Integer, CntrVal As Integer) As Long
```

Win-95 or Win-NT Version:

```
W_8454_Stop_Counter (ByVal CntrNo As Long, CntrVal As Long) As Long
```

C/C++ (DOS)

```
int _8454_Stop_Counter(int CntrNo, unsigned int *CntrVal)
```

@ Arguments

int CntrNo : Counter number, equals to 1~12
UINT *CntrVal : address to save the read back counter value

@ Return Value

No_Error : No error
Invalid_Counter_No : CntrNo is out of range.

5.7 W_8454_DO

@ Description

To write an 8 bits data to the digital output port.

@ Syntax

Microsoft C/C++ (Windows, Win95 & Win-NT)

```
int W_8454_DO (int DO_Value)
```

Visual Basic

Windows 3.11 Version:

```
W_8454_DO (ByVal DO_Value As Integer) As Integer
```

Win-95 or Win-NT Version:

```
W_8454_DO (ByVal DO_Value As Long) As Long
```

C/C++ (DOS)

```
int _8454_DO(int DO_Value )
```

@ Arguments

DO_Value : the value to write to digital output port, only the 8 LSBs of the value are effective.

@ Return Value

Always no error

5.8 W_8454_DI

@ Description

To read the data of the digital input port. It is possible to read the 8 LSBs, 8 MSBs, or read only one bit channel by the DI relative functions.

@ Syntax

Microsoft C/C++ (Windows, Win95 & Win-NT)

```
int W_8454_DI( UINT *DI_Value )  
int W_8454_DI_L( UINT *DI_LValue )  
int W_8454_DI_H( UINT *DI_HValue )  
int W_8454_DI_bit( int Bit_No )
```

Visual Basic

Windows 3.11 Version:

```
W_8454_DI (DI_Value As Integer) As Integer  
W_8454_DI_L (DI_LValue As Integer) As Integer  
W_8454_DI_H (DI_HValue As Integer) As Integer  
W_8454_DI_bit (ByVal Bit_No As Integer) As Integer
```

Win-95 or Win-NT Version:

```
W_8454_DI (DI_Value As Long) As Long
```

W_8454_DI_L (DI_LValue As Long) As Long
W_8454_DI_H (DI_HValue As Long) As Long
W_8454_DI_bit (ByVal Bit_No As Long) As Long

C/C++ (DOS)

```
int _8454_DI( UINT *DI_Value )  
int _8454_DI_L( UINT *DI_LValue )  
int _8454_DI_H( UINT *DI_HValue )  
int _8454_DI_bit( int Bit_No )
```

@ Arguments

UINT *DI_Value : the 16 bits digital input value of port BASE+4 and BASE+5

UINT *DI_LValue : the digital input value of port BASE+4, note that only the low 8 bits is effective

UINT *DI_HValue : the digital input value of port BASE+5, note that only the low 8 bits is effective

int Bit_No : the bit channel number to be read back, the value should be in the range of 0 ~ 15

@ Return Value

Always no error for _8454_DI(), _8454_DI_L(), _8454_DI_H()

For _8454_DI_bit():

Invalid_Bit_Number (0xFF) : argument out of range

0 or 1 : the return value of the digital input channel

5.9 8454 Mode Functions

@ Description

This is a macro, instead of using function, which is used to program the mode of the counters. Refer the 8454.H for the definition of these macros. The macro names are designed for easy to memorize or to be referenced. User can use these macros instead of using the '_8454_Write_Counter()' function.

@ Syntax

Microsoft C/C++ (Windows, Win95 & Win-NT)

```
W_8454_Interrupt_on_TC(CN,Val) == W_8454_Write_Counter( CN, 0, Val )
W_8454_One_Shoot(CN,Val)      == W_8454_Write_Counter( CN, 1, Val )
W_8454_Square_Wave(CN,Val)    == W_8454_Write_Counter( CN, 2, Val )
W_8454_Rate_Generator(CN,Val) == W_8454_Write_Counter( CN, 3, Val )
W_8454_SW_Strobe(CN,Val)     == W_8454_Write_Counter( CN, 4, Val )
W_8454_HW_Strobe(CN,Val)     == W_8454_Write_Counter( CN, 5, Val )
```

C/C++ (DOS)

```
_8454_Interrupt_on_TC(CN,Val) == _8454_Write_Counter( CN, 0, Val )
_8454_One_Shoot(CN,Val)      == _8454_Write_Counter( CN, 1, Val )
_8454_Square_Wave(CN,Val)    == _8454_Write_Counter( CN, 2, Val )
_8454_Rate_Generator(CN,Val) == _8454_Write_Counter( CN, 3, Val )
_8454_SW_Strobe(CN,Val)     == _8454_Write_Counter( CN, 4, Val )
_8454_HW_Strobe(CN,Val)     == _8454_Write_Counter( CN, 5, Val )
```

@ Arguments

int CN : Counter number, equals to 1~12
UINT Val : The 16 bits counter value to write to the counter.

@ Return Value

No_Error : No error
Invalid_Counter_No : CntrNo is out of range.
Invalid_Timer_Mode : Mode is out of range

@ Example

See 'DEMO.C' in library diskette

5.10 W_8454_INT_Enable

@Description

This function is only available in Window 95 driver and Windows NT driver. The function is used to initialize and start up the interrupt control. After calling this function, every time an interrupt request signal generated, a software event is signaled. So that in your program, your can use wait operation to wait for the event. When the event is signaled, it means an interrupt is generated. Please refer to the samples program 8454int.c.

Note : The W_8454_INT_Enable and W_8454_INT_Disable are a pair of functions. That is, as the W_8454_INT_Enable is called, the W_8454_INT_Disable has to follow up behind it. Otherwise, the interrupt operation will not stop.

@ Syntax

Microsoft C/C++ (Win95 & Win-NT)

int W_8454_INT_Enable(int irq_no, int irqI, HANDLE *phEvent)

Visual Basic (Win95 & Win-NT)

W_8454_INT_Enable (ByVal irq_no As Long, ByVal irqI As Long, phEvent As Long) As Long

@ Arguments

irq_no : IRQ channel selected

1: Higher IRQ (From /COUT6)

2: Lower IRQ (From COUT12 or Ext. Int)

irqI : The IRQ level of the IRQ channel specified in argument irq_no.

phEvent: The handle of the event for interrupts signals.

@ Return Value

NoError

INT_Not_Set

5.11 W_8454_INT_Disable

@ Description

This function is only available in Window 95 driver and Windows NT driver. This function is used to stop interrupt signal generation.

Note : This function has to be called after the W_8454_INT_Enable is called.

@ Syntax

Microsoft C/C++ (Win-95 & Win-NT)

int W_8454_INT_Disable(int irq_no)

Visual Basic (Win-95 & Win-NT)

W_8454_INT_Disable (ByVal irq_no As Long) As Long

@ Arguments

irq_no : IRQ channel selected

1: Higher IRQ (From /COUT6)

2: Lower IRQ (From COUT12 or Ext. Int)

@ Return Value

NoError

INT_Not_Set

Appendix A Using of IRQ Channels

IRQ Level	Used by
0	It is used by motherboard and not available on expansion slot.
1	It is used by motherboard (key-board) and not available on expansion slot.
2	It is re-directed from IRQ9.
3	COM2: RS-232
4	COM1: RS-232, it is usually occupied by mouse
5	
6	
7	
8	It is used by motherboard and not available on expansion slot
9	Re-direct to IRQ 2
10	
11	
12	
13	It is used by motherboard (math co-processor) and not available on expansion slot.
14	It is usually occupied by IDE master drive (hard disk).
15	It is used the IDE slave drive (usually CD-ROM).

Remark



The IRQ channels with mark cannot be used by ACL-8454.

Appendix B Timer/Counter Operation

The ACL-8454 has at most four 8254 chips on board. Refer to section 2.8 for the signal connection and the configuration of these counters. The following sections are some brief concepts of the 8254 chip.

The 8254 Timer / Counter Chip

The Intel (NEC) 8254 contains three independent, programmable, multi-mode 16 bit counter/timers. The three independent 16 bit counters can be clocked at rates from DC to 5 MHz. Each counter can be individually programmed with 6 different operating modes by appropriately formatted control words. The most commonly uses for the 8254 in microprocessor-based system are:

- programmable baud rate generator
- event counter
- binary rate multiplier
- real-time clock
- digital one-shot
- motor control

I/O Address

Each 8254 on ACL-8454 occupies 4 I/O address as shown below.

BASE + 0	LSB OR MSB OF COUNTER 0
BASE + 1	LSB OR MSB OF COUNTER 1
BASE + 2	LSB OR MSB OF COUNTER 2
BASE + 3	CONTROL BYTE

Although there are at most four 8254 chips can be installed, however, only one chip can be selected at the same time. The programming of 8254 is controlled by the registers BASE+0 to BASE+3. For more detailed information, please refer to Intel's data sheet of 8254 chip (see "<http://support.intel.com/support/controllers/peripheral/231164.htm>").

Control Byte

Before loading or reading any of these individual counters, the control byte (BASE+3) must be loaded first. The format of the control byte is:

Bit	7	6	5	4	3	2	1	0
	SC1	SC0	RL1	RL0	M2	M1	M0	BCD

- SC1 & SC0 - Select Counter (Bit7 & Bit 6)

SC1	SC0	COUNTER
0	0	Select Counter 0
0	1	Select Counter 1
1	0	Select Counter 2
1	1	ILLEGAL

- RL1 & RL0 - Select Read/Load operation (Bit 5 & Bit 4)

RL1	RL0	OPERATION
0	0	COUNTER LATCH FOR STABLE READ
0	1	READ/LOAD LSB ONLY
1	0	READ/LOAD MSB ONLY
1	1	READ/LOAD LSB FIRST, THEN MSB

- M2, M1 & M0 - Select Operating Mode (Bit 3, Bit 2, & Bit 1)

M2	M1	M0	MODE
0	0	0	0
0	0	1	1
x	1	0	2
x	1	1	3
1	0	0	4
1	0	1	5

- BCD - Select Binary/BCD Counting (Bit 0)

0	16-BITS BINARY COUNTER
1	BINARY CODED DECIMAL (BCD) COUNTER (4 DIGITAL)
Note	The count of the binary counter is from 0 up to 65,535 and the count of the BCD counter is from 0 up to 9,999

Mode Definitions

In 8254, six operating modes can be selected. They are:

- Mode 0: Interrupt on Terminal Count
- Mode 1: Programmable One-Shot
- Mode 2: Rate Generator
- Mode 3: Square Wave Rate Generator
- Mode 4: Software Triggered Strobe
- Mode 5: Hardware Triggered Strobe

All detailed descriptions of these modes are written in Intel's data sheet ("<http://support.intel.com/support/controllers/peripheral/231164.htm>").

Product Warranty/Service

ADLINK warrants that equipment furnished will be free from defects in material and workmanship for a period of one year from the date of shipment. During the warranty period, we shall, at our option, either repair or replace any product that proves to be defective under normal operation.

This warranty shall not apply to equipment that has been previously repaired or altered outside our plant in any way as to, in the judgment of the manufacturer, affect its reliability. Nor will it apply if the equipment has been used in a manner exceeding its specifications or if the serial number has been removed.

ADLINK does not assume any liability for consequential damages as a result from our product uses, and in any event our liability shall not exceed the original selling price of the equipment. The remedies provided herein are the customer's sole and exclusive remedies. In no event shall ADLINK be liable for direct, indirect, special or consequential damages whether based on contract of any other legal theory.

The equipment must be returned postage-prepaid. Package it securely and insure it. You will be charged for parts and labor if the warranty period is expired or the product is proves to be misuse, abuse or unauthorized repair or modification.