

I-7061(D)

M-7061(D)

12-channel Relay Output Module

Features

- 12 Relay Outputs
- 4 kV ESD Protection
- 4 kV EFT Protection
- 3 kV Surge Protection
- Configurable Power-on Value Settings
- Configurable Safe Value Settings
- Dual Watchdog
- Wide Operating Temperature Range: -25 ~ +75°C



Introduction

The I-7061 offers 12 channels for relay output. All of its channels are Form A type relay. I-7061 has 12 LED indicators for channel status monitoring as well as qualification for 4 kV ESD protection and 3000 V_{AC} intra-module isolation. The hardware specifications for the M-7061 are the same as the I-7061 and both support the Modbus RTU and DCON protocols which can be configured via software.

Applications

- All Kinds of On/Off Control
- Industrial Machinery
- Food and Beverage Systems
- Control Systems
- Industrial Automation
- Building Automation
- Semiconductor Fabrication

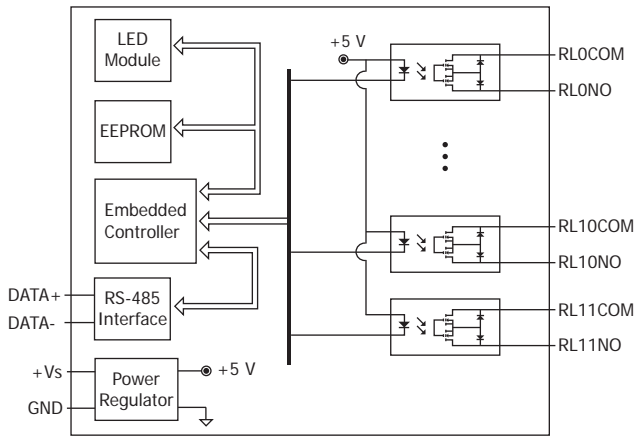
System Specifications

Models	I-7061	I-7061D	M-7061	M-7061D
Communication				
Interface	RS-485			
Format	N, 8, 1			
Baud Rate	1200 ~ 115200 bps			
Protocol	DCON		Modbus RTU, DCON	
Dual Watchdog	Yes, Module (1.6 Seconds), Communication (Programmable)			
LED Indicator/Display				
System LED Indicator	Yes, 1 LED as Power/Communication Indicator			
I/O LED Indicator	-	Yes	-	Yes
7-Segment LED Display	-			
Isolation				
Intra-Module Isolation, Field-to-Logic	3000 V _{DC}			
EMS Protection				
ESD (IEC 61000-4-2)	4 kV Contact for Each Terminal			
	8 kV Air for Random Point			
EFT (IEC 61000-4-4)	+/-4 kV for Power			
Surge (IEC 61000-4-5)	±3 kV for Power Input			
Power				
Reverse Polarity Protection	Yes			
Input Range	10 ~ 30 V _{DC}			
Consumption	1.7 W	2.3 W	1.7 W	2.3 W
Mechanical				
Dimensions (W x L x H)	72 mm x 123 mm x 35 mm			
Installation	DIN-Rail or Wall Mounting			
Environment				
Operating Temperature	-25 ~ +75°C			
Storage Temperature	-40 ~ +85°C			
Humidity	10 ~ 95% RH, Non-condensing			

I/O Specifications

Models	I-7061	I-7061D	M-7061	M-7061D
Power Relay				
Channels	12			
Type	Power Relay (Form A)			
Contact Rating	5 A @ 250 V _{AC} 5 A @ 30 V _{DC}			
Surge Strength	3000 V _{DC}			
Operate Time	2 ms			
Release Time	2 ms			
Mechanical Endurance	2 × 10 ⁷ ops.			
Electrical Endurance	10 ⁵ ops.			
Power-on Value	Yes			
Safe Value	Yes			

Internal I/O Structure



Pin Assignments



Wire Connections

Output Type	ON State Readback as 1	OFF State Readback as 0
Relay Output		

Ordering Information

I-7061-G CR	12-channel Relay Output Module with DCON Protocol (Gray Cover) (RoHS)
I-7061D-G CR	I-7061 with LED Display (Gray Cover) (RoHS)
M-7061-G CR	12-channel Relay Output Module with DCON and Modbus Protocol (Gray Cover) (RoHS)
M-7061D-G CR	M-7061 with LED Display (Gray Cover) (RoHS)

Accessories

	tM-7520U CR	RS-232 to RS-485 converter (RoHS)
	tM-7561 CR	USB to RS-485 converter (RoHS)
	tM-SG4 CR	RS-485 Pull-high/Pull-low and Termination Resistor Module (RoHS)
	I-7514U CR	4-channel RS-485 Hub (RoHS)
	SG-770 CR	7 channel differential or 14 channel single-ended surge protector (RoHS)
	SG-3000 series	Signal Conditioning Modules for Thermocouple, RTD, DC Voltage, DC Current and Power Inputs