



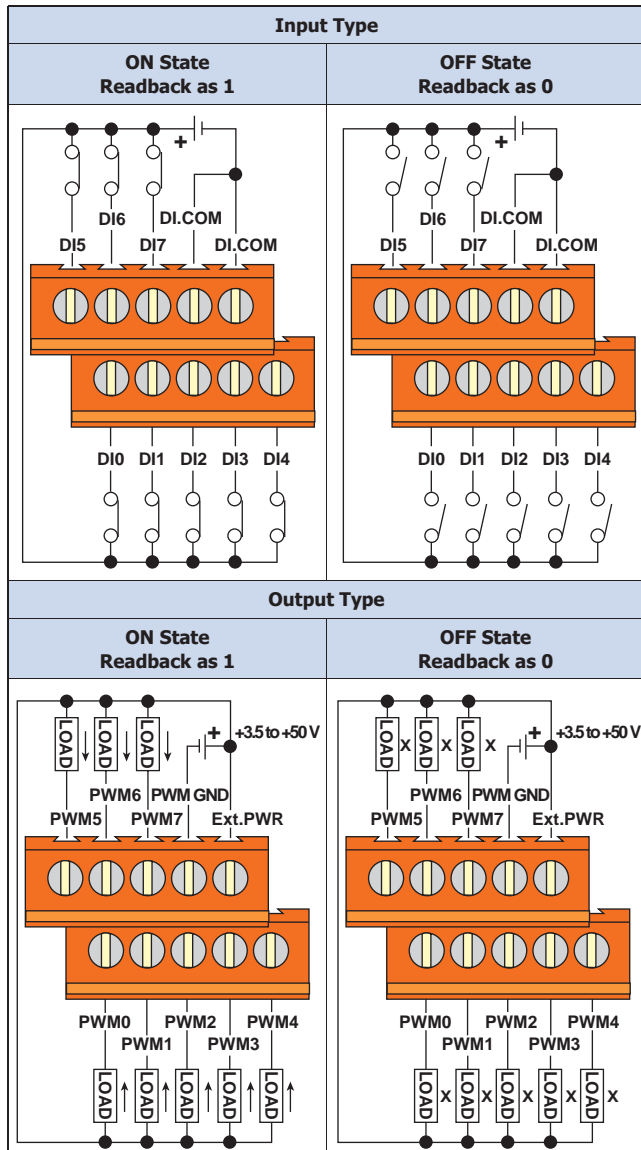
## DN-8P8C

8-channel Digital output and 8-channel counter input Board

### Introduction

The DN-8P8C External Board can be used to develop powerful and cost-effective analog control systems, and provides 8 Digital Output channels and 8 Counter Input channels for I-8088W, I-87088W, CAN-2088, or I-7088 Modules, allowing the load voltage to be increased from +3.5 to +50 V for the 8-channels PWM (Pulse Width Modulation) output and the 8-channels high-speed counter.

### Wire Connections



### Features

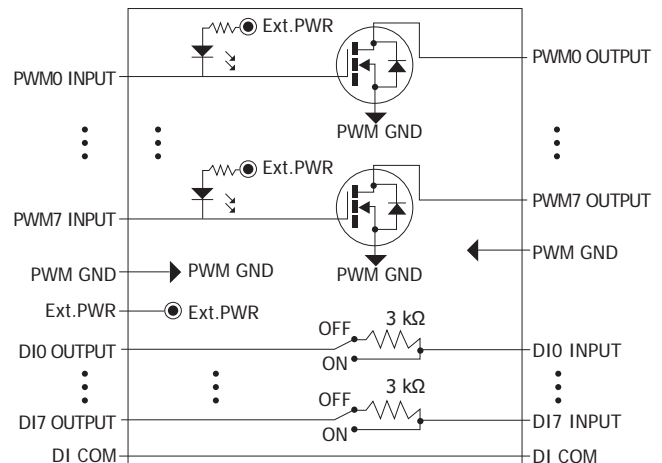
- 8-channel Digital Output and 8-channel Digital Input
- Sink-type Digital Input Channels
- Supports Load Voltages ranging from +3.5 to +50 V PWM Output
- 4 kV ESD Protection
- Supports Load Voltages ranging from +3.5 to +50 V Counter Input
- Supports Operating Temperatures from -25 to +75°C
- DIN-Rail Mountable for Industrial Usage



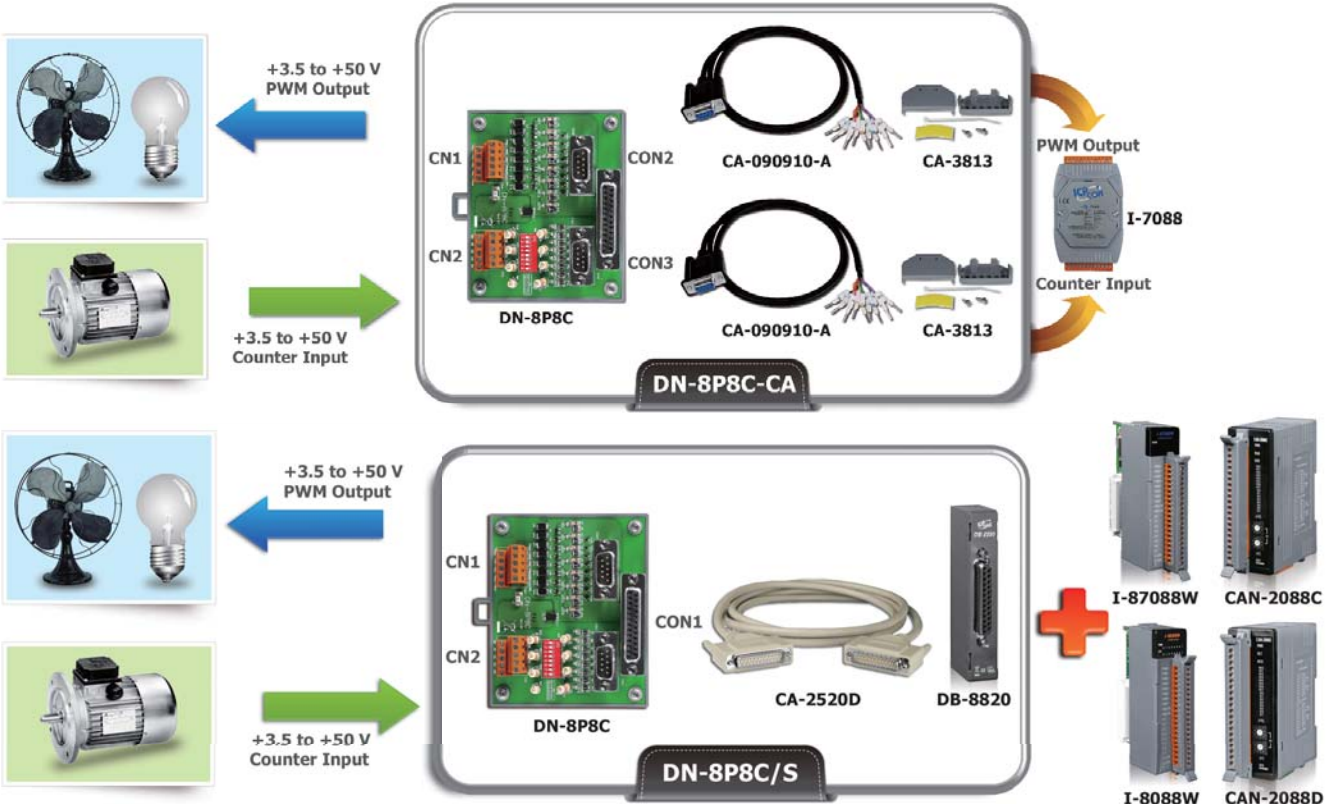
### I/O Specifications

Digital Output		
Channels	8	
Channels	Reverse Polarity Protection	
Sink/Source (NPN/PNP)	Sink	
Load Voltage	+3.5 to +50 VDC	
Max. Load Current	200 mA/Channel	
Digital Input		
Channels	SW1 OFF	SW1 ON
Channels	8	
Contact	Wet	
Sink/Source (NPN/PNP)	Sink	
Input Impedance	3 kΩ, 1 W	-
ON Voltage Level	+12 to +50 VDC	+3.5 to +5 VDC
OFF Voltage Level	+4 VDC Max.	+1 VDC Max.
Oversvoltage Protection	54 VDC	5 VDC
Max. Speed	500 kHz	
EMS Protection		
ESD (IEC 61000-4-2)	±4 kV Contact for each Terminal	
Mechanical		
Dimensions (L x W x H)	103 mm x 96 mm x 30 mm	
Installation	DIN-Rail or Wall Mounting	
Environment		
Operating Temperature	-25 to +75°C	
Humidity	10 to 95% RH, Non-condensing	

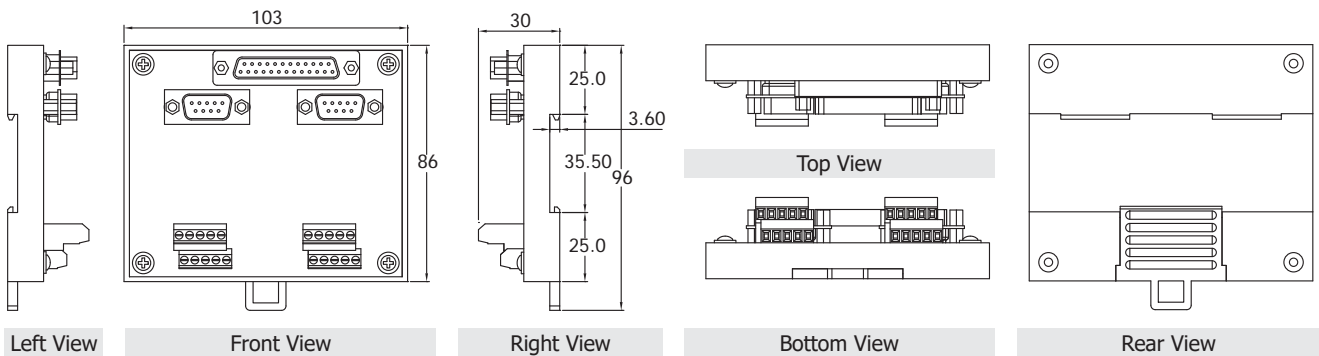
### Internal I/O Structure



## Applications







## Dimensions (Units: mm)



## Ordering Information

<b>DN-8P8C-CA CR</b>	8-channel Digital Output and 8-channel Counter Input Board, including two CA-090910-A Cable and two CA-3813 Connector Casing. (RoHS)
<b>DN-8P8C/S CR</b>	8-channel Digital Output and 8-channel Counter Input Board, including DB-8820 Daughterboard and a CA-2520D Cable. (RoHS)

## Accessories

 CA-2520D	25-pin Male-Male D-sub Flat Cable	 CA-090910-A	9-pin Female D-sub Cable for I/M-7088 Connector, 1 m
 DB-8820	20-pin Terminal Block to 25-pin Female D-sub Adapter Module	 CA-3813	Connector Casing for 13-pin, 3.81 mm Pitch or 14-pin, 3.5 mm Pitch