

A62

5MP Indoor Zoom Dome with D/N, Adaptive IR, Advanced WDR, SLLS, 4.3x Zoom Lens



- 5 Megapixel
- Day & Night with Superior Low Light Sensitivity and Adaptive IR LED
- 4.3x Zoom Lens with f2.8-12mm / F1.4-2.8, DC-Iris, Auto Focus (for installation)
- Advanced WDR (120 dB)
- 30 fps at 2592 x 1944

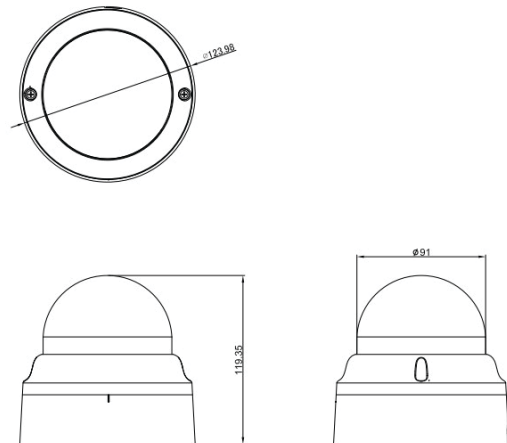
PHOTO INDICATION



1 DC 12V Power Input
Audio Input / Output
Video Output
Digital Input / Output
DC 5V Power Output

2 Memory Card Slot
3 Ethernet Port

DIMENSION DIAGRAM



Unit: mm

ACCESSORY OPTIONS

Power Supply		
PPOE-0001		IEEE 802.3af PoE Injector for Class 1, 2 or 3 devices, with universal adapter
PPBX-0011		Power Adapter AC 100~240V, with universal connectors for all DC 12V powered devices

Popular Mounting Solutions	
Surface	Accessories not required
Wall	PMAX-0319
Pendant	PMAX-0114 PMAX-0103

PRODUCT SPECIFICATION

A62

• Device

Device Type	Indoor Zoom Dome Camera
Image Sensor	Progressive Scan CMOS
Sensor Size	1/2.9"
Effective Pixels	3096 (H) x 2202 (V) (6.82 MP)
Horizontal Resolution	1300 TVL
Day / Night	Yes
Low Light Sensitivity	Superior
Mechanical IR Cut Filter	Yes
IR Sensitivity Range	700 ~ 1150 nm
IR LED	Adaptive IR LED x 12 (850 nm)
IR Working Distance	15 m
S/N Ratio	56 dB

• Lens

Focal Length / Aperture	Zoom, f2.8 - 12mm / F1.4 - 2.8
Zoom Ratio / Speed	4.3x optical
Zoom Application	Camera Installation
Iris	DC-iris
Focus	Auto focus
Lens Mount	Board mount
Horizontal Viewing Angle	68° ~ 26.6° 50.8° ~ 20.2°
Viewing Angle Adjustment	Pan: ±135°; Tilt: 0°-90°; Rotation: ±90°

• Video

Compression	H.265, H.264 (Baseline/ Main/ High profile), MJPEG
Max. Frame Rate vs. Resolution	30 fps at 2592 x 1944; 30 fps at 1920 x 1080; 30 fps at 1280 x 960; 30 fps at 1280 x 720; 30 fps at 800 x 600; 30 fps at 640 x 480; 30 fps at 320 x 240
Multi-Streaming	Simultaneous triple streams based on three configurations
Bit Rate	128 Kbps ~ 20 Mbps (per stream)
Bit Rate Mode	Constant, Variable
Privacy Mask	4 Configurable regions
Image Enhancement	Advanced WDR (120 dB), White Balance (Automatic, Manual, Hold), Brightness, Digital Image Stabilizer, Contrast, Sharpness (Auto), Auto Gain Control, 2D + 3D Digital Noise Reduction, Defogging, Flickerless
Text Overlay	Yes
Built-in Analytics	Tampering Detection
Image Orientation	Mirror, Flip, Rotation

• Audio

Compression	8kHz, Mono, G.711
Audio-In	Mic in, Line in, Terminal block
Audio-Out	Line out, Terminal block

• Network

Protocol & Service	IPv4, IPv6, TCP, UDP, DHCP, PPPoE, HTTP, HTTPS, DNS, DDNS, NTP, RTP, RTSP, RTCP, SMTP, FTP, IGMP, ICMP, ARP, Bonjour, UPnP, QoS, SNMP
Ethernet Port	1, Ethernet (10/100 Base-T), RJ-45 connector
Security	IP Address Filtering, HTTPs Encryption, Password Protected User Levels, Anonymous Login

• Alarm

Alarm Trigger	Tampering Detection, Video Motion Detection (3 regions), External Device through Digital Input, Sound detection
Alarm Response	Notify control center, Change camera settings, Command other devices, E-mail notification with snapshots, Push notification to mobile device, Save video to local storage, Upload video or snapshot to FTP server, Upload video to NVR server, Activate external device through digital output

• Interface

Digital Input	1, Terminal block
Digital Output	1, Terminal block
Local Storage	MicroSDHC/SDXC memory card slot (card not included)

• General

Power Source / Consumption	PoE Class3 / 10 W, DC12V / 8W
Weight	0.44 kg (0.97 lb)
Dimensions (Ø x H)	139.95 x 131.17 mm (5.51" x 5.16")
Mount Type	Surface, Pendant, Wall
Starting Temperature	-10°C ~ 40°C (-14°F ~ 104°F) within 30 minutes
Operating Temperature	-10°C ~ 40°C (-14°F ~ 104°F)
Operating Humidity	20% ~ 80% RH
Approvals	CE, FCC

• Integration

Unified Solution	Fully compatible with ACTi software
ISV Integration	Software Development Kit (SDK) available ONVIF compliant
GPS Position	Manual setting
Firmware Access Browser	Microsoft Internet Explorer 11.0

* All specifications are subject to change without notice.

* All brand names and registered trademarks are the property of their respective owners.

www.acti.com

