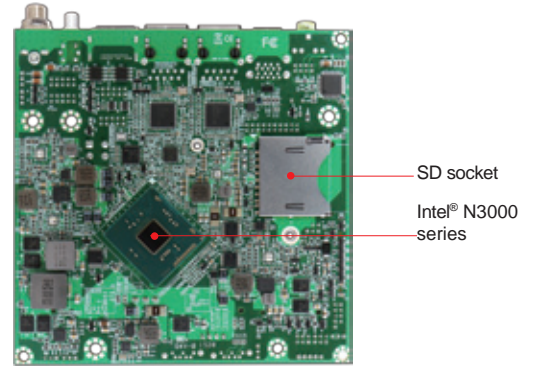
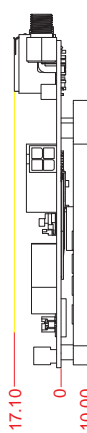
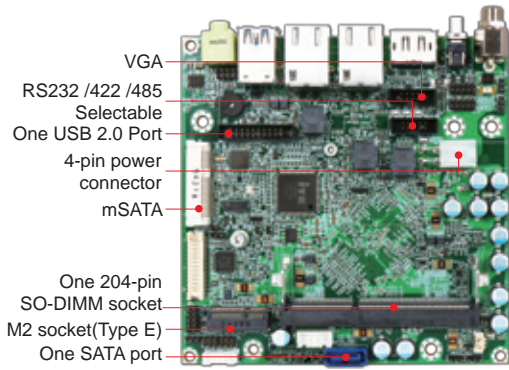


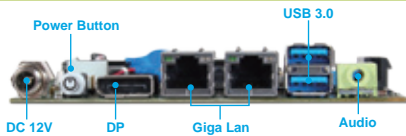
NANO-6061

Intel® Braswell Pentium/Celeron Dual/Quad Core™ N3000 series SoC based NANO-ITX. Board with triple display, Gigabit Ethernet, Audio, USB 3.0, M.2, SD, SATA, and mSATA



NANO-6061 build with Intel® Celeron® and Pentium® Processor N3000 Series that not only is it suitable for under 10W fan-less application but also powerful graphic display demand. With its superior up to Quad core processing power and high capability. The new architecture integrates more powerful 3D graphics engine and memory controller making it suitable for critical environments.

REAR I/O



FEATURES

- Intel® Pentium/Celeron Dual/Quad Core N3000 series ultra low power processor based platform
- One 204-pin SODIMM support DDR3L up to 8GB
- Triple display by VGA, DP, and Dual channel 24 bit LVDS
- Support one M.2 socket, one SATA port, and one mSATA
- Support one SD socket
- Support DC 12V input

ORDERING GUIDE

AB1-3D09	(R).NANO-6061-N3700 Nano-ITX ESB. Intel® Quad Core Pentium 1.6GHz (6W). w/DDR3LSDRAM/VGA/LVDS/DP/GbE LAN/M.2/SATA
AB1-3D08	(R).NANO-6061-N3150 Nano-ITX ESB. Intel® Quad Core Celeron 1.6GHz (6W). w/DDR3LSDRAM/VGA/LVDS/DP/GbE LAN/M.2/SATA
AB1-3D07	(R).NANO-6061-N3050 Nano-ITX ESB. Intel® Dual Core Celeron 1.6GHz (6W). w/DDR3LSDRAM/VGA/LVDS/DP/GbE LAN/M.2/SATA

PACKING LIST

One NANO-6061 NANO-ITX Main Board
One passive Heatsink
One Installation CD

GENERAL

Processor	- Intel® Pentium® /Celeron® Dual/Quad Core™ N3000 series Processor (up to 6W) - With 2MB Cache
BIOS	- AMI uFEI BIOS (SPI ROM)
Memory	- Supports up to 8GB DDR3L 1333/1600 MT/s SDRAM on one 204-pin SODIMM sockets
Storage Devices	- One SATA III port - One mSATA socket
Watchdog Timer	- Programmable by embedded controller
Hardware Monitoring	- Temperature (CPU & System) - Voltage (CPU Vcore, 12V, 5V, 3.3V, 1.35V)
Expansion Interface	- 1x M.2 socket (Type E)

I/O INTERFACE

Audio	- High Definition Audio integrated in Intel SoC - Realtek ALC892 HDA codec, 5.1 channels - Audio Jack on rear IO with Line-out and on board pin header with Line-in, Line-out, Mic-in
Ethernet	- Intel® I211AT gigabit ethernet controller - 2x RJ45 connector on rear IO
Serial Port	- 1x RS232/422/485 on board connector (selected by bios)
USB	- 2x USB 3.0 ports on rear IO - 1x USB 2.0 port on board with pitch 2.0 header
GPIO	- 8-bit configurable controlled by embedded controller

DISPLAY

Graphic Controller	- Intel® Gen8 Graphics supports DX11.2, OpenGL 4.2 / OpenCL 1.2 - Video decode HW acceleration support for H.264,H.265,MPEG2, VC1/WMV, JPEG, VP8, VP9
Display Interface	- LVDS: Dual channel 24bit LVDS on board connector, resolution up to 1920x1200 - CRT: One on-board DB-15 connector, resolution up to 2560x1600 - DP: One DP port on rear IO, resolution up to 3840x2160

Mechanical & Environment

Dimension	- 120(L) x 120(W) mm; 4.72"(L) x 4.72"(W)
Power Supply	- DC 12V input
Environment	- Operation Temperature: 0°C to 55°C - Storage Temperature: -20°C to 85°C - Relative Humidity: 5% to 95%, non-condensing
MTBF	- Over 100,000 hours at 40°C

