



I/O CARD QUICK START GUIDE

for **P8R8DIO/P16R16DIO**

Language
Version
Update

English
V1.2
Nov.2008

1

What's on your package?

- One P8R8DIO/P16R16DIO series card
- One companion ISA CD (V2.1 or later)
- One Quick Start Guide(This document)

2

Installing Windows Driver

Follow those steps:

1. Setup the Windows driver. You can get the driver from:
CD:\NAPDOS\ISA\DIO\DLL\
<http://ftp.icpdas.com/pub/cd/iocard/isa/napdos/isa/dio/dll/>
2. Click “**N**ext >” button to start installation.
3. Click “**N**ext >” button to install driver into the default folder.
4. Click “**I**nstall” button to continue installation.
5. Select “**N**O, I will restart my computer later” and click “**F**inish”.



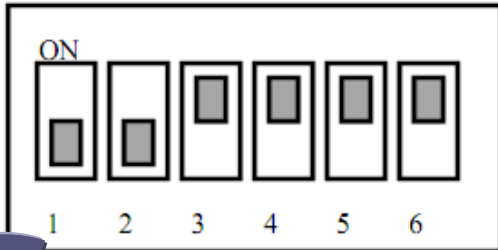
Windows driver only support windows 98/NT/2000 and XP/2003/vista 32-bit versions.

3

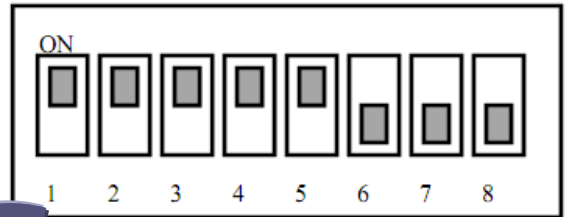
I/O Address & Jumper Setting

- The base address switch is preset at value need for you. (Default value 300Hex)

P8R8DIO SW1: Default 300 Hex



P16R16DIO SW1: Default 300 Hex



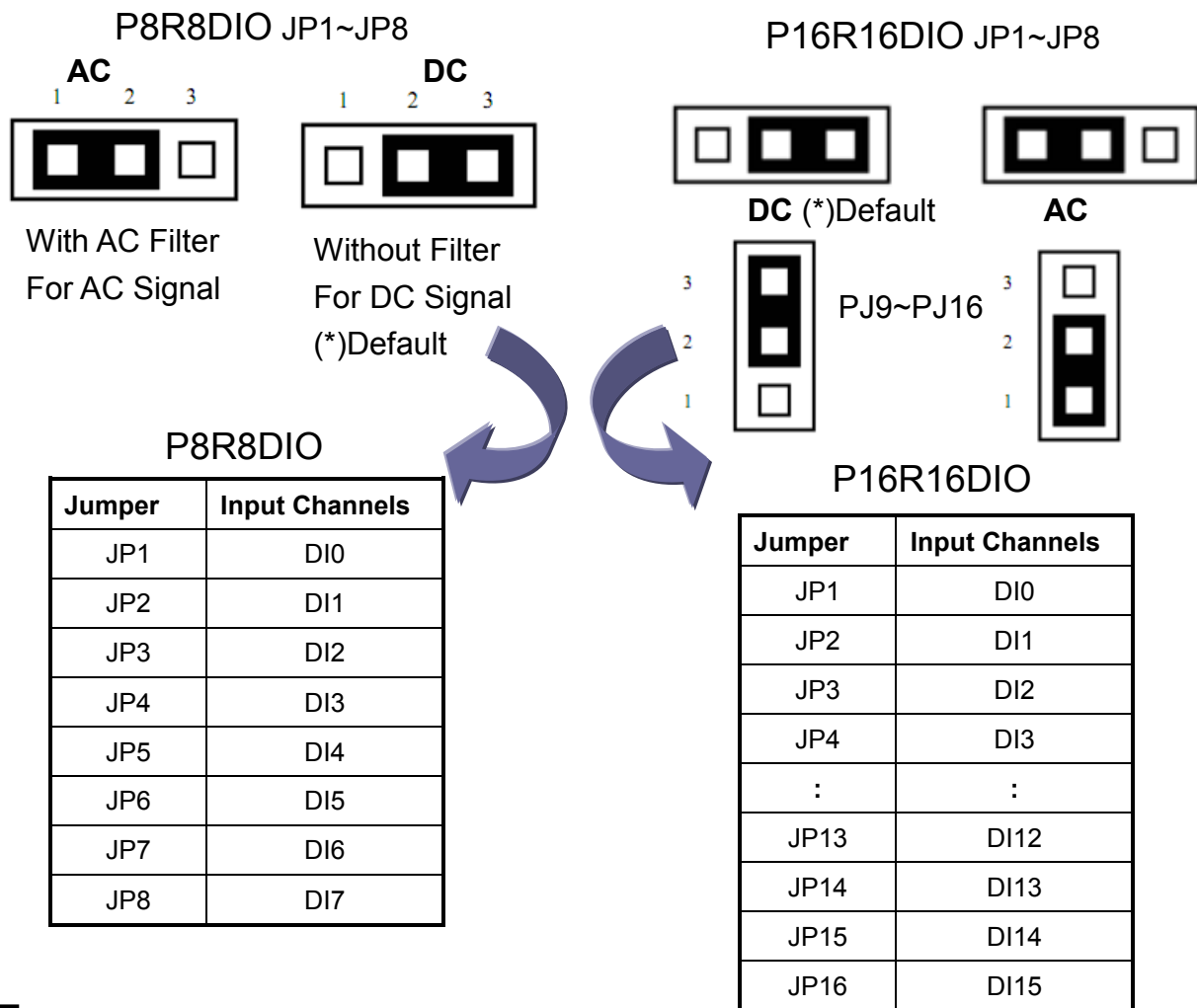
P8R8DIO (*) Default Setting

S1 Dip Switch	1	2	3	4	5	6
Address (Hex)	A9	A8	A7	A6	A5	A4
200	OFF	ON	ON	ON	ON	ON
210	OFF	ON	ON	ON	ON	OFF
220	OFF	ON	ON	ON	OFF	ON
:	:	:	:	:	:	:
2A0	OFF	ON	OFF	ON	OFF	ON
:	:	:	:	:	:	:
2F0	OFF	ON	OFF	OFF	OFF	OFF
(*) 300	OFF	OFF	ON	ON	ON	ON
310	OFF	OFF	ON	ON	ON	OFF
320	OFF	OFF	ON	ON	OFF	ON
330	OFF	OFF	ON	ON	OFF	OFF
340	OFF	OFF	ON	OFF	ON	ON
350	OFF	OFF	ON	OFF	ON	OFF
360	OFF	OFF	ON	OFF	OFF	ON
:	:	:	:	:	:	:
3F0	OFF	OFF	OFF	OFF	OFF	OFF

P16R16DIO (*) Default Setting

S1 Dip Switch	1	2	3	4	5	6	7	8
Address (Hex)	A3	A4	A5	A6	A7	A8	A9	X
200	ON	ON	ON	ON	ON	ON	OFF	
:	:	:	:	:	:	:	:	
2A0	ON	ON	OFF	ON	OFF	ON	OFF	
:	:	:	:	:	:	:	:	
(*) 300	ON	ON	ON	ON	ON	OFF	OFF	
308	OFF	ON	ON	ON	ON	OFF	OFF	
310	ON	OFF	ON	ON	ON	OFF	OFF	
318	OFF	OFF	ON	ON	ON	OFF	OFF	
:	:	:	:	:	:	:	:	
3E8	OFF	ON	OFF	OFF	OFF	OFF	OFF	
3F0	ON	OFF	OFF	OFF	OFF	OFF	OFF	
3F8	OFF	OFF	OFF	OFF	OFF	OFF	OFF	

- Setting jumper, see the list of jumper number and It's corresponding digital input channel.



4

Installing Hardware on PC

Follow those steps:

1. Shut down and power off your computer
2. Remove all covers from the computer
3. Select an empty ISA slot
4. Carefully insert your I/O card into the ISA slot
5. Replace the PC covers
6. Power on the computer

After powering-on the computer, continue next process.

5

Adding Hardware



Adding hardware is used on Windows 2000/XP/2003/Vista 32 only. Windows 9X/Me/NT users can skip it.

7. Add Hardware

- 7-1 Open the **“Control Panel”** by click the item **“Start / Settings / Control Panel”**.
- 7-2 Double-click the item **“Add/Remove Hardware”** and click **“Next >”** button.
- 7-3 Select the item **“Add/Troubleshoot a device”** and click **“Next >”** button.
- 7-4 Select the item **“Add a new device”** and click **“Next >”** button.
- 7-5 Select the item **“No, I want to select the hardware from a list”** and click **“Next >”** button.
- 7-6 Select the item **“Other device”** and click **“Next >”** button.
- 7-7 Click the **“Have Disk...”** button.
- 7-8 Click the **“Browse...”** button to select the **Inf** file default path is C:\DAQPRO\DIO_Win2K\Inf and click the **“OK”** button.
- 7-9 Select the correct device from the **“Models:”** listbox and Click **“Next >”** button.
- 7-10 The windows show to dialog box and Click the **“OK”** button to enter the device’s properties settings.

8. Modify the device properties

- 8-1 Enter the **“ICPDAS P8R8/P16R16DIO Digital I/O Card Properties”**.
- 8-2 Click the **“ I/O Range ”** and click the **“Change setting”** button to enter the **“Edit Input/Output Range”**.
- 8-3 Set the I/O Range value for SW1 value. (Default 300 Hex)
- 8-4 Check the Conflict information for **“ No devices are conflicting”** and click **“OK”**.

9. Reboot the PC

The detail “add hardware” information. Please refer to :

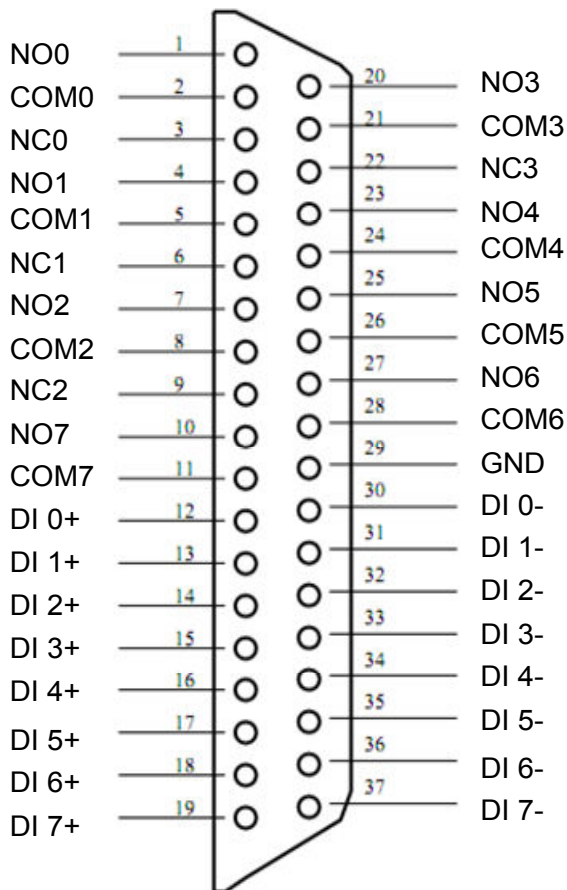
CD:\NAPDOS\ISA\Manual\PCI_ISA_PnP_Driver_Installation_in_Win9x_2K_XP.pdf

6

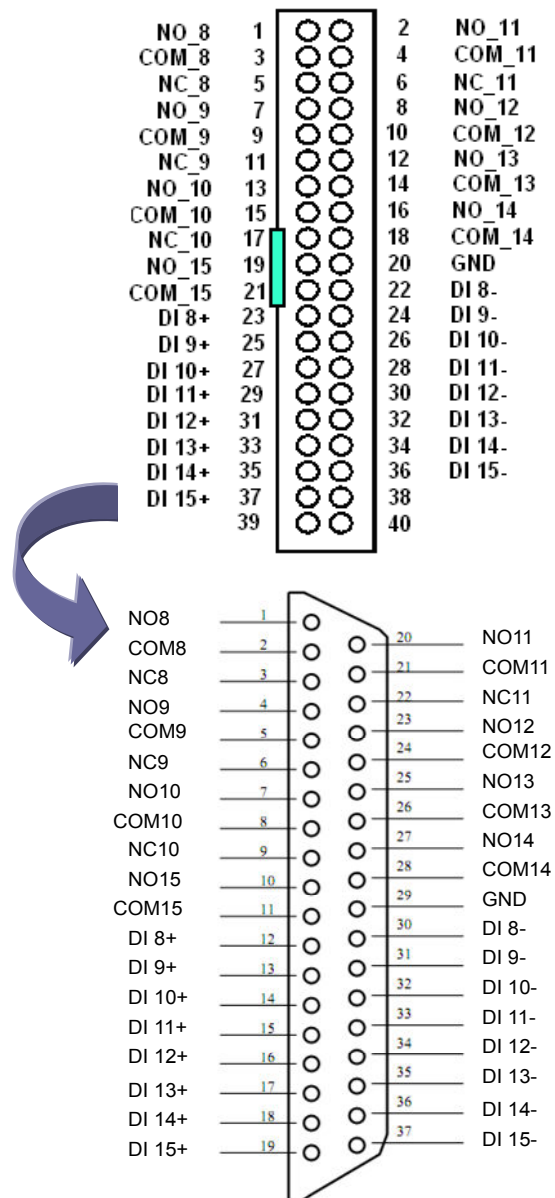
Pin Assignments

- CN1/ CON2 pin assignments of the P8R8DIO/ P16R16DIO connector. (See Figure 6-1)
- CN1 pin assignments of the P16R16DIO connector. (See Figure 6-2)

P8R8DIO CN1/ P16R16DIO CON2
Pin Assignments (Figure 6-1)



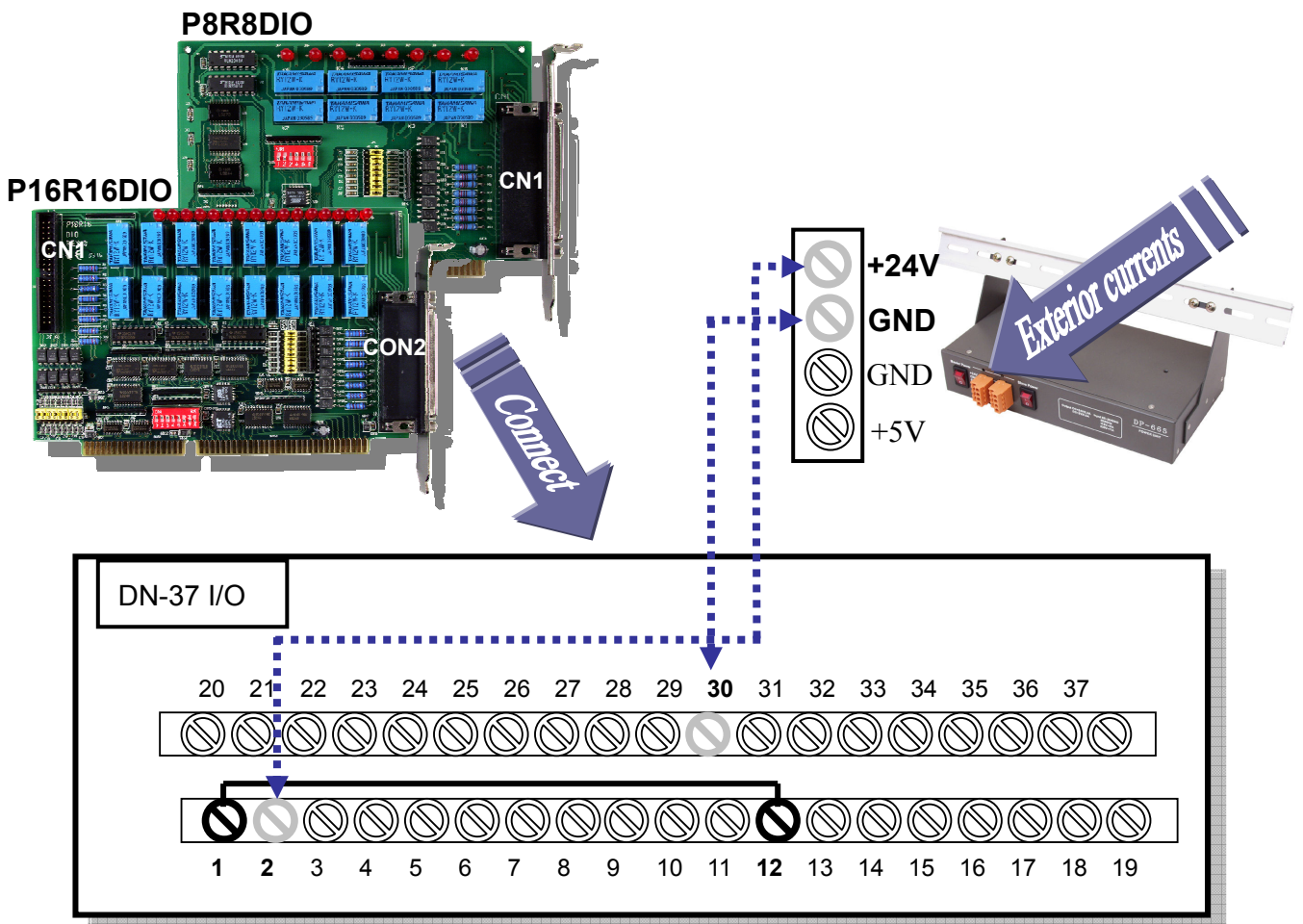
P16R16DIO CN1 Pin Assignments
(Figure 6-2)



7

Self-Test

1. Prepare for device:
 - DN-37(Optional) wiring terminal board.
 - Exterior power supply device.
For example: DP-665(Optional)
2. Use DN-37 to connect the board CN1 and than CN1.NO0 with CN1.DI 0+. (pin1 connect to pin12)
3. Use DP-665 V24+ connect to DN-37 CN1.COM0 and then DP-665 GND connect to DN-37 DI 0-. (V24+ connect to pin2, GND connect to pin30).



- Run the P8R8DIO/P16R16DIO sample program.
Get the file from(Default path): C:\DAQPro\DIO_WinXXX\Demo\
- Check number of the P8R8DIO/ P16R16DIO, and test DIO function.

1. The one P8R8DIO/P16R16DIO had successfully installed to PC.

2. Select the board number for the P8R8DIO/P16R16DIO. It start from 0.

3. Click this button to do DIO test.

It's P16R16DIO demo.

- Get DIO function test result.

4. Click the channel 0 in the DO.

5. DI show to channel 0 for high state. (Red light)

6. P8R8-DIO/P16R16DIO board of LED D0 for high state (red light) on PC, too.

Complete

8

Additional Information

- ✓ **P8R8DIO/P16R16DIO Series Card Product page:**

http://www.icpdas.com/products/DAQ/pc_based/p8r8dio.htm

http://www.icpdas.com/products/DAQ/pc_based/p16r16dio.htm

- ✓ **DN-37(Optional) page:**

http://www.icpdas.com/products/DAQ/screw_terminal/dn_37.htm

- ✓ **DP-665(Optional) page:**

http://www.icpdas.com/products/Accessories/power_supply/dp-665.htm

- ✓ **Documents:**

CD:\NAPDOS\ISA\DIO>manual

<http://ftp.icpdas.com/pub/cd/iocard/isa/napdos/isa/DIO/manual/>

- ✓ **Software:**

CD:\NAPDOS\ISA\DIO

<http://www.icpdas.com/download/isa/dio/index.htm>

The ICP DAS Web Site

<http://www.icpdas.com>



- Technical support
- Supplies and ordering information
- Ways to enhance your device
- FAQ
- Application story

Contact Us

Service@icpdas.com

Copyright ©2008 by ICP DAS Co., Ltd. All right are reserved