

IOT-800

8" Risc-based Panel PC



Features

- Android 4.4 operating system
- Quad-core ARM Cortex-A9 @1.6 GHz
- Front bezel IP65 water and dust resistance
- Flat front bezel with 8" TFT LCD
- Built-in CAN 2.0b / OBD-II
- Built-in WLAN 802.11a/b/g/n and Bluetooth 4.0 BLE
- 12~24V Wide-range voltage DC-input support

System

CPU	Quad-core ARM Cortex-A9 1.6GHz
OS	Android™ v4.4
Memory	1GB LPDDR3
Flash	16GB eMMC

Peripherals and Devices

Front Camera	2.0 megapixel camera
Audio	1 x built-in speaker (2W) 1 x built-in microphone

Wireless

WCDMA / CDMA / TDSCDMA / LTE (optional)	Mini PCIE interface
GPS + BeiDou	GPS mouse (optional)
WLAN	IEEE 802.11 a/b/g/n
Bluetooth	Bluetooth 4.0 low power BLE
NFC	Support NFC transmission standard 14443A/B, 15693, felica

I/O Interface

SD Card	Micro SD Card slot, maximum 32 GB
USB Host	2 x USB 2.0 High Speed
Speaker	1 x 8Ω/2W
DB9 Interface	1 x RS-232 (full function), 1 x RS-232/422/485 (TX/RX)
Power button	Power on/off button
DIO Connectors	4 x 3.3V GPIO
CAN	CAN 2.0b / OBD-II
Power-in	Connect power input, 9V~36V/1.5A
RJ45	RJ45 x 1, support Ethernet (10/100Mbps)
MIC	One MIC-fidelity audio input
Update hole	Update program hole
Power on switch	On/off switchable, Toggle Switch

LCD Display

Physical size	8 inches
Resolution	1024(W) x 600(H)
Technology	High definition and high brightness LCD display
Colors	16M Colors, 24bit
Touchscreen	GG Capacitive, 5-points Multi-touch

Power Input

DC Input	2-pin terminal block 12V~24V Auto-Detection
----------	--

Mechanical & Environmental

Ingress Protection	Front bezel IP65
Operating Temp.	-10°C ~ 70°C (14°F ~ 158°F)
Storage Temp.	-20°C ~ 85°C (-4°F ~ 185°F)
Operating Humidity	5% ~ 90% RH
Dimensions (W x H x D)	218.2 x 162.7 x 46.5 mm (8.59" x 6.41" x 1.83")
Weight	Around 0.926kg

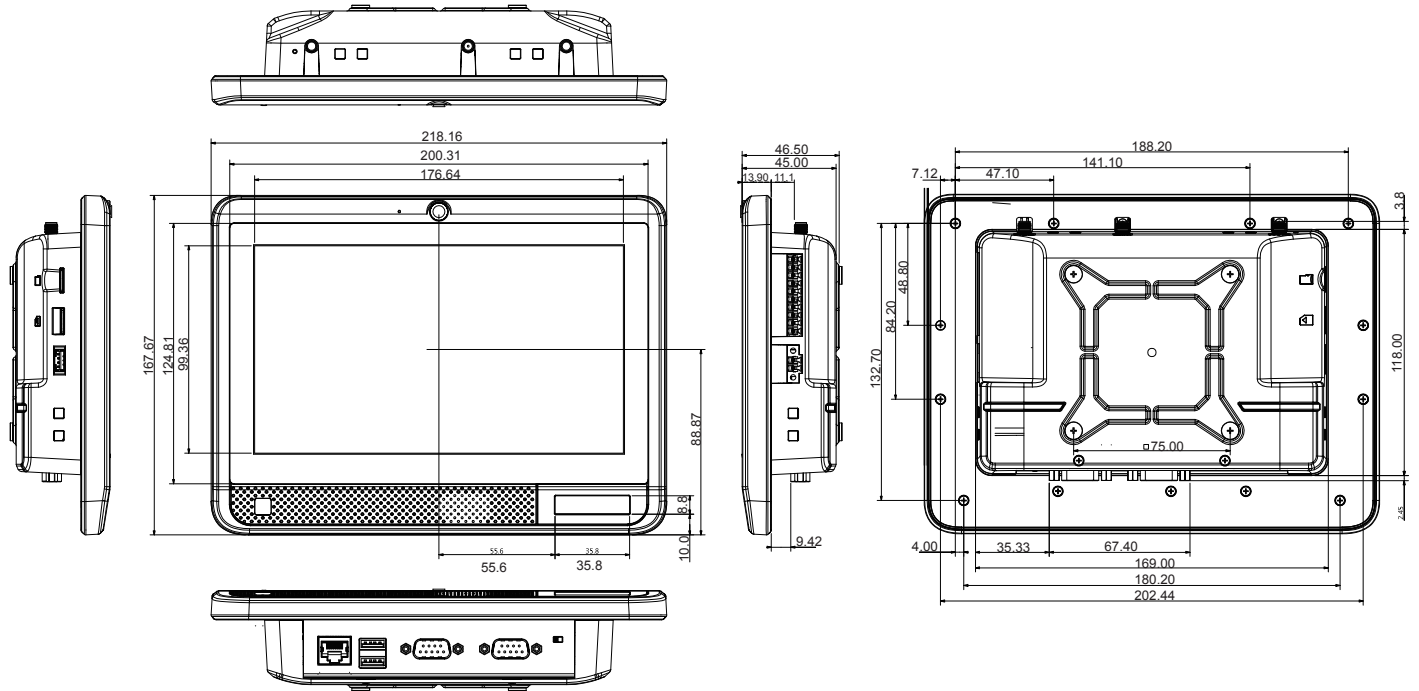
Installation

VESA Mount	75mm x 75mm
------------	-------------

Ordering Information

IOT-800	8" Risc-based Panel PC with Quad-core ARM Cortex Processor, Front Camera, WLAN and Bluetooth
---------	--

Dimensions




Unit: mm

Standard Accessories

Terminal Block Connector	2-pin DC Terminal Block, Plug, Black 10-pin Terminal Block, Plug, Black
Antenna	Wi-Fi/Bluetooth Antenna
Manual	User Manual

Optional Accessories

Power Adapter	19V/2A AC/DC Power Adapter	
3G Module w/ Antenna	UMTS/HSDPA/HSUPA 900(850)/2100(1900)MHz ,GSM/GPRS/EDGE 850/900/1800/1900MHz	
4G Module w/ Antenna	FDD LTE:Band 1, Band 3, Band 8 TDD LTE: Band 39, Band 40, Band 41 (38) DC-HSPA+/HSPA+/HSPA/UMTS:Band 1, Band 9, Band 5, Band 8 TD-SCDMA: Band 34, Band 39 GSM/GPRS/EDGE: 1800MHz/900MHz	
GPS	GPS Mouse	