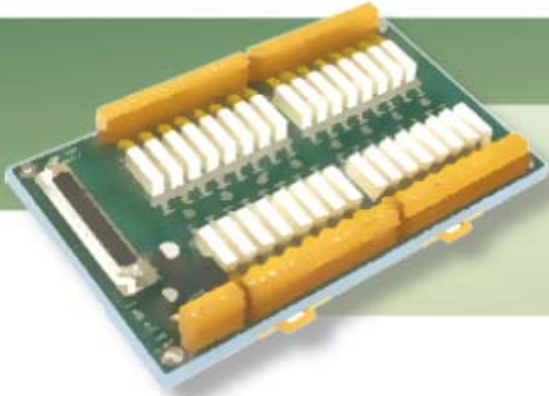


# DAUGHTER BOARD USER GUIDE



*for DB-32R*

English/ Dec. 2010/ Version 1.0

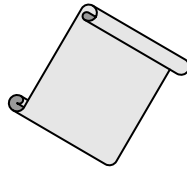
## 1

### What's in the shipping package?

- One DB-32R Daughter Board
- One User Guide (This document)
- One CA-3710D Cable



DB-32R



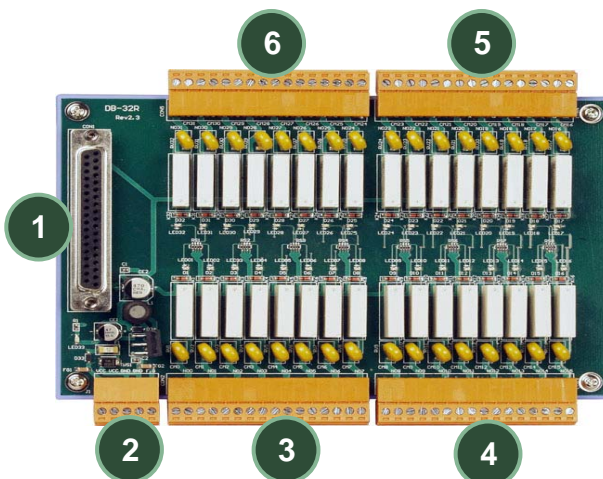
User Guide



CA-3710D

## 2

### Layout



- 1 CN1 for PISO-C64/ISO-C64
- 2 CN2 for Power supply +12~30 VDC
- 3 CN3 for Relay output CH0~Ch7
- 4 CN4 for Relay output CH8~Ch15
- 5 CN5 for Relay output CH16~Ch23
- 6 CN6 for Relay output CH24~Ch31

# 3 Features

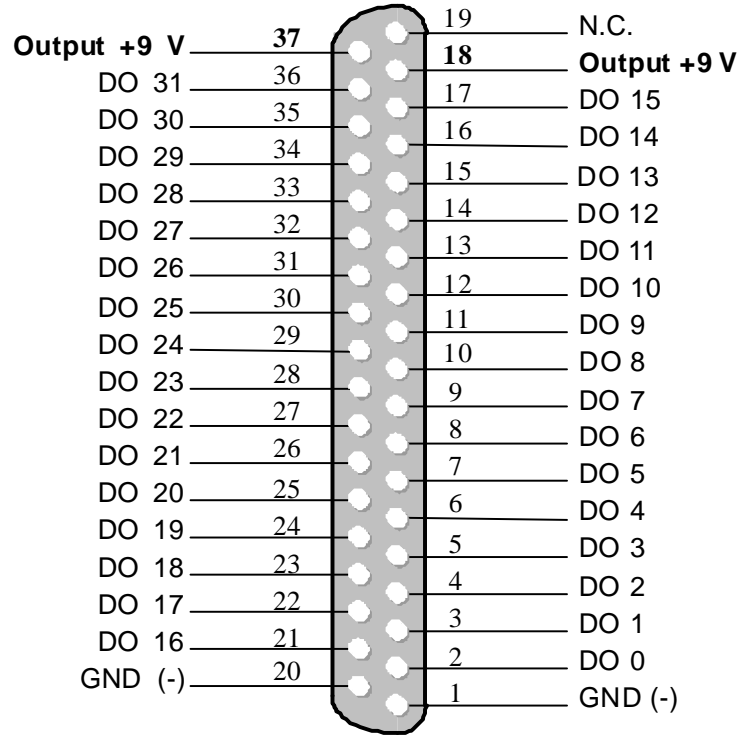
- 32 Form A Relays
- 37-pin D-sub connector to quickly link to a PISO-C64 or ISO-C64
- 32 LEDs to display the state of individual relay
- Screw terminals for field wiring
- Power Input: +12 ~ +30 V<sub>DC</sub>
- Operating temperatures: -25 ~ +75 °C
- DIN-Rail mounting for industrial usage

# 4 Specifications

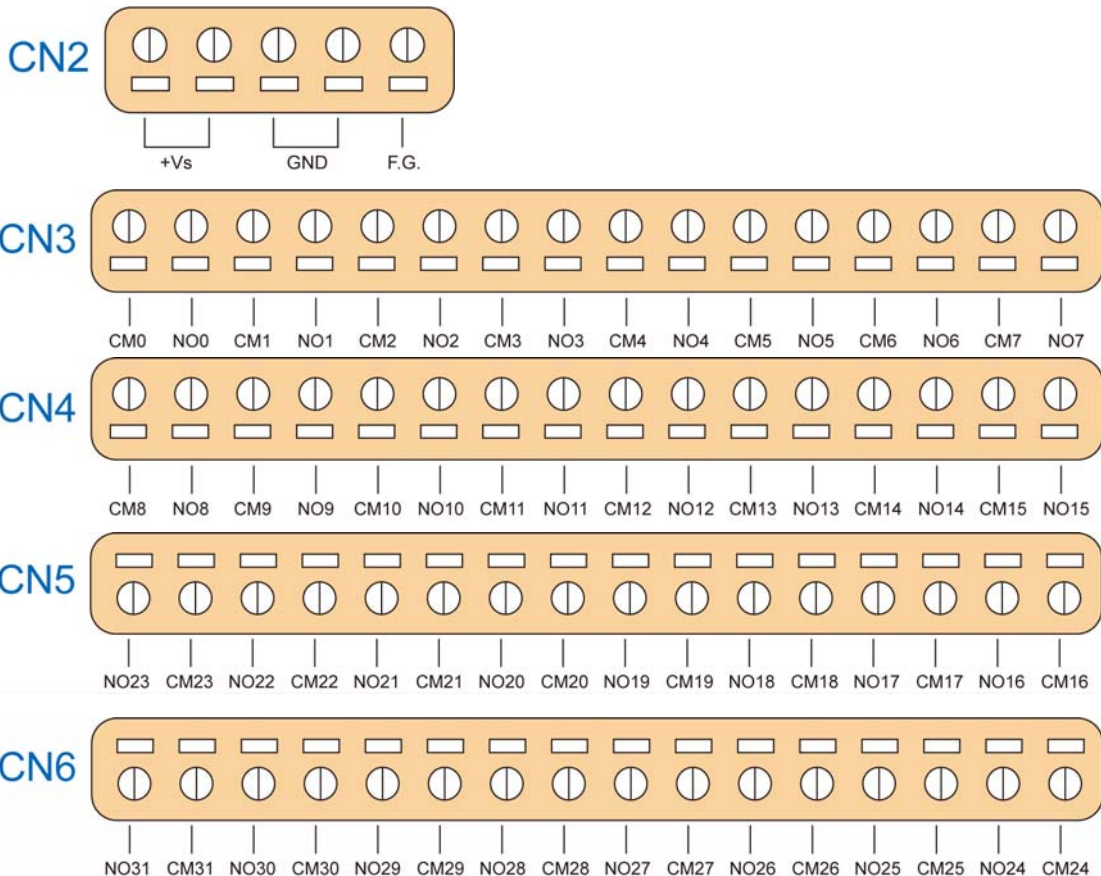
Relay Output	
Channels	32
Contact Arrangement	SPST-NO (1 Form A)
Max. Switching Voltage	125 V <sub>DC</sub> , 270 V <sub>AC</sub> Rated
Contact Current	3 A
Max. Contact Current	5 A
Max. Contact Capacity	1250 VA, 150 W
Operate Time (typical)	10 ms
Release Time (typical)	10 ms
Electrical Life (Resistive Load)	250 V <sub>AC</sub> /30 V <sub>DC</sub> , 3 A 100,000 ops. Min. (10 ops./minute) 250 V <sub>AC</sub> /30 V <sub>DC</sub> , 5 A 6,000 ops. Min. (10 ops./minute)
Mechanical Life	20,000,000 ops. at no load. (300 ops./minute)
Mechanical	
Dimensions	118 mm x 174 mm
Installation	DIN-Rail mounting
Environment	
Operating Temperature	-25 ~ +75 °C
Storage Temperature	-30 ~ +80 °C
Humidity	10% ~ 90%, non-condensing
Power Requirements	
Power Input	+12 ~ 30 V <sub>DC</sub>
Power Consumption	0.25 A @ +24 V Max.

# 5 Pin Assignments

- CN1: 37-pin D-sub connector for a PISO-C64 or ISO-C64.



- Connectors CN2 ~ CN6.



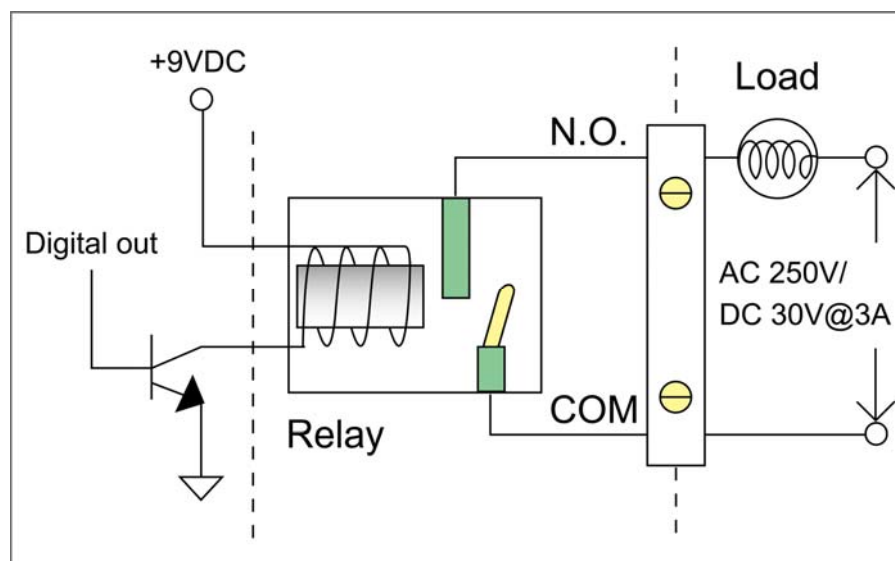
# 6

## Relays and LEDs Mapping

Relay Output	LEDs	Relay Output	LEDs
CH_0	LED1	CH_16	LED17
CH_1	LED2	CH_17	LED18
CH_2	LED3	CH_18	LED19
CH_3	LED4	CH_19	LED20
CH_4	LED5	CH_20	LED21
CH_5	LED6	CH_21	LED22
CH_6	LED7	CH_22	LED23
CH_7	LED8	CH_23	LED24
CH_8	LED9	CH_24	LED25
CH_9	LED10	CH_25	LED26
CH_10	LED11	CH_26	LED27
CH_11	LED12	CH_27	LED28
CH_12	LED13	CH_28	LED29
CH_13	LED14	CH_29	LED30
CH_14	LED15	CH_30	LED31
CH_15	LED16	CH_31	LED32

# 7

## Circuit Diagram



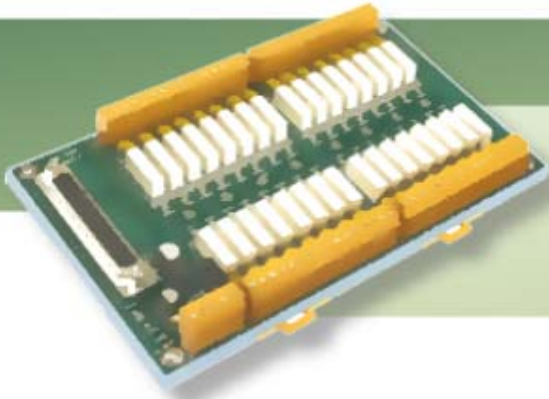
## Related Information

- **DB-32R product page:**  
[http://www.icpdas.com/products/DAQ/screw\\_terminal/db\\_32r&16p16r.htm](http://www.icpdas.com/products/DAQ/screw_terminal/db_32r&16p16r.htm)
- **Documentation:**  
 CD: \NAPDOS\Daughter\_Board\  
[http://ftp.icpdas.com/pub/cd/iocard/pci/napdos/daughter\\_board/](http://ftp.icpdas.com/pub/cd/iocard/pci/napdos/daughter_board/)



ICP DAS Web Site: <http://www.icpdas.com>  
 Contact Us (E-Mail): [service@icpdas.com](mailto:service@icpdas.com), [service.icpdas@gmail.com](mailto:service.icpdas@gmail.com)

# DAUGHTER BOARD USER GUIDE



*for DB-32R*

繁體中文 / 2010 年 11 月 / 版本 1.0

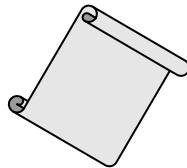
## 1

### 檢查配件

- 一張 DB-32R 端子板
- 一張 使用者指南 (本文件)
- 一條 CA-3710D Cable



DB-32R



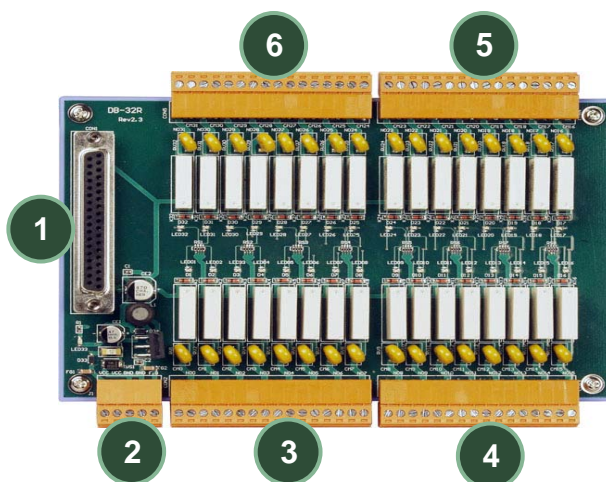
使用者指南



CA-3710D

## 2

### 端子板配置圖



- 1 CN1: 連接 PISO-C64/ISO-C64 板卡
- 2 CN2: 電源輸入 +12~30 V<sub>DC</sub>
- 3 CN3: CH0~Ch7 Relay 輸出
- 4 CN4: CH8~Ch15 Relay 輸出
- 5 CN5: CH16~Ch23 Relay 輸出
- 6 CN6: CH24~Ch31 Relay 輸出



# 3 特色

- 32 通道 Form A Relay 端子板
- 提供 37-pin D-sub 接頭適用於 PISO-C64 及 ISO-C64
- 32 LED 燈顯示各 Relay 狀態
- 便利於接線的端子板
- 電源輸入: +12 ~ +30 V<sub>DC</sub>
- 可運作於 -25 ~ +75°C 的工作環境
- 可安裝於工業用的 DIN 導軌

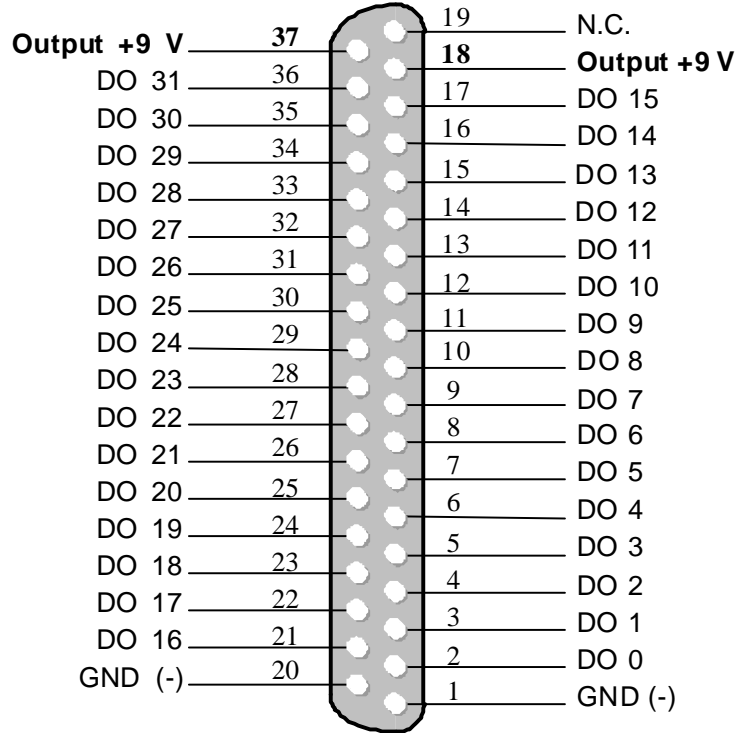
# 4 規格

Relay Output	
Channels	32
Contact Arrangement	SPST-NO (1 Form A)
Max. Switching Voltage	125 V <sub>DC</sub> , 270 V <sub>AC</sub> Rated
Contact Current	3 A
Max. Contact Current	5 A
Max. Contact Capacity	1250 VA, 150 W
Operate Time (typical)	10 ms
Release Time (typical)	10 ms
Electrical Life (Resistive Load)	250 V <sub>AC</sub> /30 V <sub>DC</sub> , 3 A 100,000 ops. Min. (10 ops./minute) 250 V <sub>AC</sub> /30 V <sub>DC</sub> , 5 A 6,000 ops. Min. (10 ops./minute)
Mechanical Life	20,000,000 ops. at no load. (300 ops./minute)
Mechanical	
Dimensions	118 mm x 174 mm
Installation	DIN-Rail mounting
Environment	
Operating Temperature	-25 ~ +75°C
Storage Temperature	-30 ~ +80°C
Humidity	10% ~ 90%, non-condensing
Power Requirements	
Power Input	+12 ~ 30 V <sub>DC</sub>
Power Consumption	0.25 A @ +24 V Max.

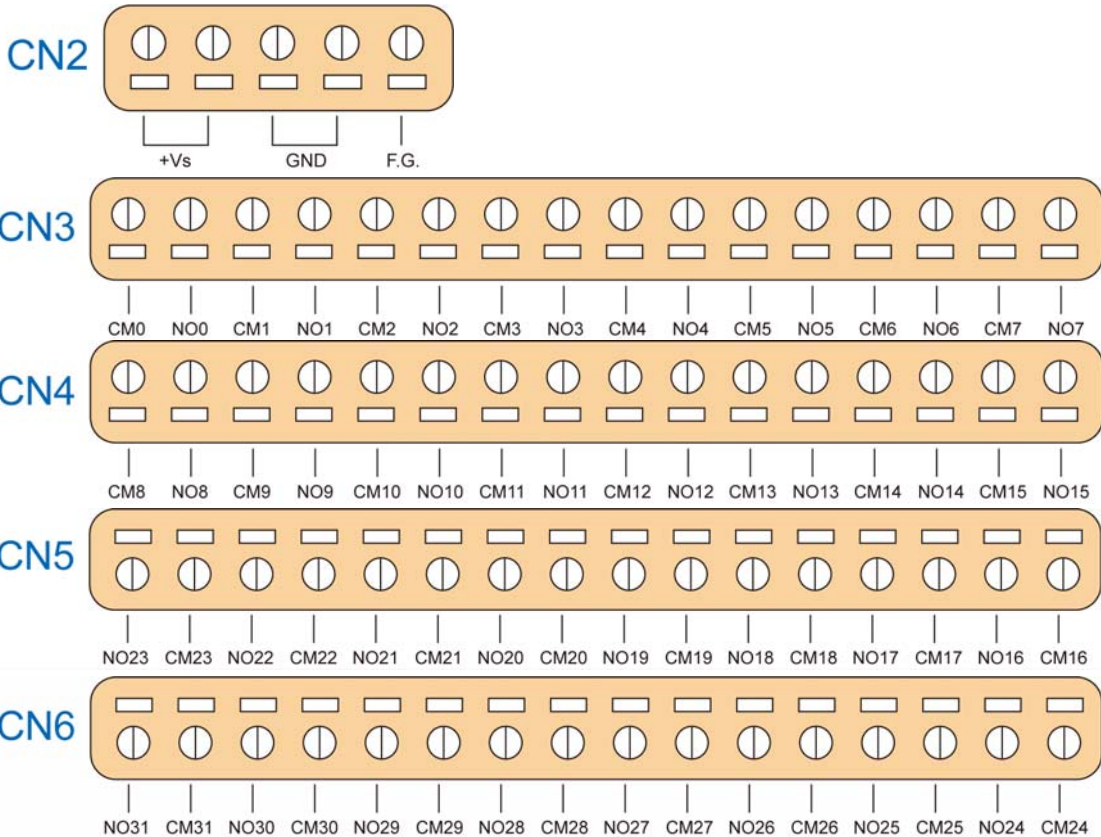
# 5

## 腳位定義

- CN1: 連接 PISO-C64 或 ISO-C64 的 37-pin D-sub 接頭。



- CN2~CN6 接頭。



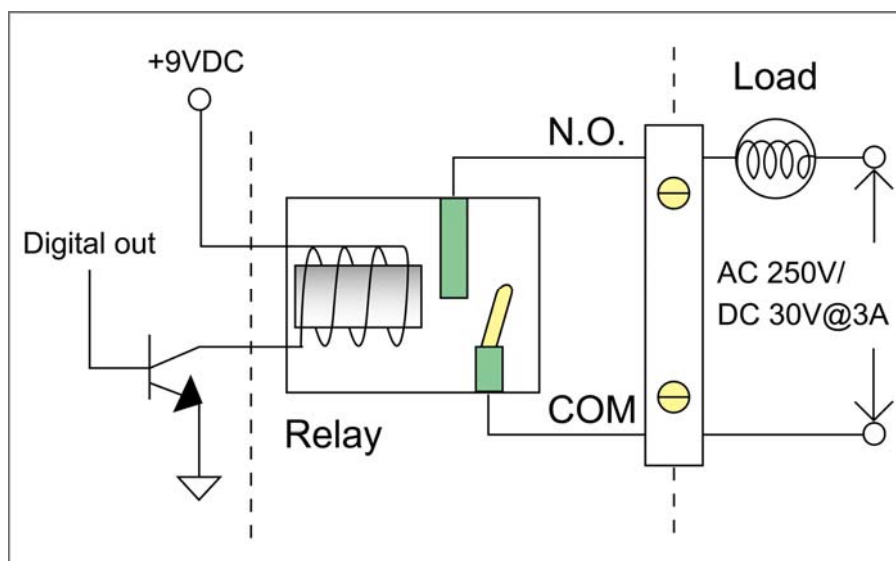
# 6

## Relay 的 LEDs Mapping

Relay Output	LEDs	Relay Output	LEDs
CH_0	LED1	CH_16	LED17
CH_1	LED2	CH_17	LED18
CH_2	LED3	CH_18	LED19
CH_3	LED4	CH_19	LED20
CH_4	LED5	CH_20	LED21
CH_5	LED6	CH_21	LED22
CH_6	LED7	CH_22	LED23
CH_7	LED8	CH_23	LED24
CH_8	LED9	CH_24	LED25
CH_9	LED10	CH_25	LED26
CH_10	LED11	CH_26	LED27
CH_11	LED12	CH_27	LED28
CH_12	LED13	CH_28	LED29
CH_13	LED14	CH_29	LED30
CH_14	LED15	CH_30	LED31
CH_15	LED16	CH_31	LED32

# 7

## 電路圖



## 參考資訊

- DB-32R 產品網頁:  
[http://www.icpdas.com/products/DAQ/screw\\_terminal/db\\_32r&16p16r.htm](http://www.icpdas.com/products/DAQ/screw_terminal/db_32r&16p16r.htm)
- 相關文件位置:  
CD:\NAPDOS\Daughter\_Board\  
[http://ftp.icpdas.com/pub/cd/iocard/pci/napdos/daughter\\_board/](http://ftp.icpdas.com/pub/cd/iocard/pci/napdos/daughter_board/)



泓格科技網頁: <http://www.icpdas.com>  
聯絡方式 (E-Mail): [service@icpdas.com](mailto:service@icpdas.com), [service.icpdas@gmail.com](mailto:service.icpdas@gmail.com)