

# EACIL67

## IoT Gateway Mini PC with Intel® Celeron® N3350



### KEY FEATURES

- Intel® Apollo Lake N3350, 1.1 GHz
- Full IP67, IoT gateway mini PC
- USB Type-C Port featuring Alt Mode: DP A/V output, USB Data, Power Delivery
- Fanless cooling system
- Suitable for smart factory and outdoor applications



qualified device  
Internet of Things



### SPECIFICATIONS

System Specification			
<b>Processor</b>	Intel Celeron N3350 1.1GHz (up to 2.4GHz) Intel Pentium N4200 1.1GHz (up to 2.5GHz) (Optional)	<b>Memory</b>	4GB LPDDR3
<b>Storage</b>	eMMC: Onboard 64 GB mSATA SSD 128GB (Optional)	<b>Ethernet controller</b>	2 x Intel® Ethernet Controller
<b>Security</b>	TPM 2.0	<b>Operating System</b>	Windows 10 IoT Enterprise (64 bit) (Optional) Linux Ubuntu 20.04 (Optional)
<b>WLAN</b>	Support (Optional)	<b>BT</b>	Support (Optional)
Mechanical			
<b>Dimension</b>	100 x 115 x 31 mm	<b>Weight</b>	1 kg
<b>Mounting</b>	Desk Mounting and Wall Mounting VESA Mounting (Optional)	<b>Enclosure</b>	Metal Housing
<b>Cooling System</b>	Fanless design		
Environment			
<b>Operating Humidity</b>	10% to 90% RH, Non-Condensing	<b>Operating Temperature</b>	-20°C to 60°C
<b>Storage Temperature</b>	-30°C to 70°C	<b>Shock</b>	Operating, IEC 60068-2-27
<b>Vibration</b>	Operating, IEC 60068-2-64	<b>IP rating</b>	IP67
Certification			
<b>Certification</b>	CE, FCC		
IO Ports			
<b>Power Input</b>	1 x 9~36V DC, M12 Type connector	<b>USB Port</b>	1 x M12 Waterproof USB2.0 1 x M12 Waterproof USB Type-C[Alt Mode]: -Display Port A/V output(Support max resolution 3840 x 2160@60Hz) -USB data -Power Delivery up to 15W(5V/3A)
<b>Expansion Port</b>	mPCIe: 1 x Full-size mPCIe slot	<b>LAN</b>	2 x Waterproof Giga LAN RJ45 Connector
<b>Indicator</b>	1 x LED Indicator for power	<b>mini PCIe</b>	1 x Mini PCIe
Accessory			
<b>Accessory</b>	Quick Start Guide M12 to Open Wire DC Cable WLAN External Antenna (For EACIL67-101-A464)		

VESA Mount Kit (Optional)  
M12 to Open wire DC with CANBUS Cable  
(Optional)  
Waterproof USB Type-C to Standard USB Type-C  
Cable (Optional)  
Waterproof USB Type-C to Lockable USB Type-C  
Cable (Optional)  
Waterproof RJ45 LAN to Standard RJ45 LAN  
Cable (Optional)  
Waterproof USB Type-A male to Standard USB  
Type-A female Cable (Optional)

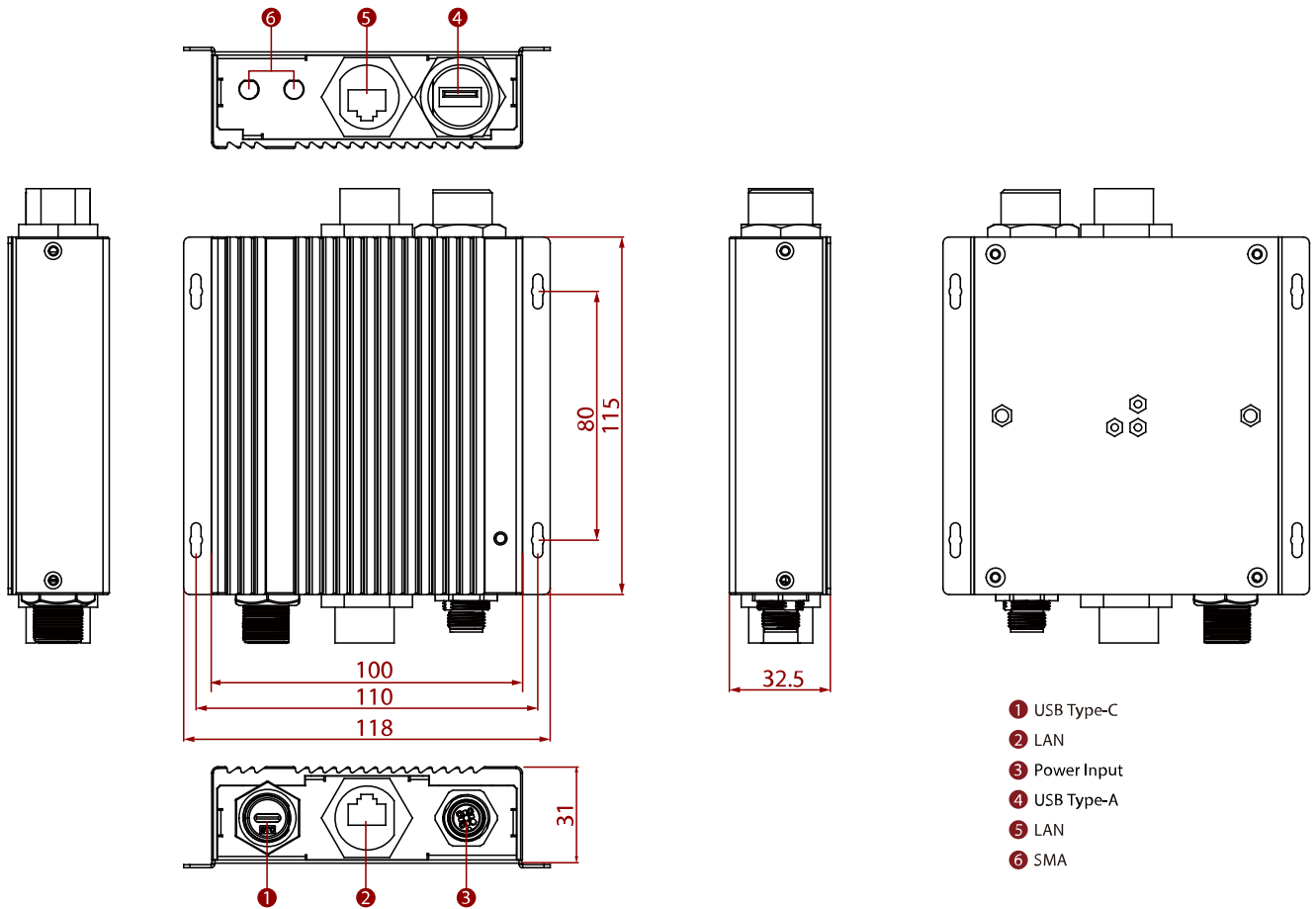
**Power**

**Power Rating** 9V~36V DC, 2-Pin Terminal Block **Adapter** 12V 36W

**Ordering Information**

**Option** EACIL67-101-A464 (With WLAN) (Optional)  
EACIL67-104-A464 (With 1-port isolation  
CANBUS) (Optional)

**DIMENSIONS** UNIT:MM



**NOTE**

1. This is a simplified drawing and some components are not marked in detail.
2. Please contact our sales representative if you need further product information.
3. The product shown in this datasheet is a standard model. For diagrams that contain customized or optional I/O, please contact the Winmate Sales Team for more information.