

# Q51

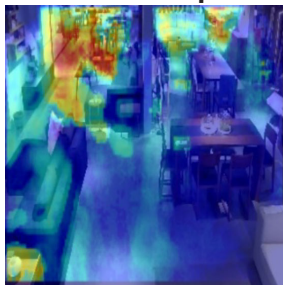
## 6MP Heat Map Indoor Hemispheric Dome with D/N, Adaptive IR, Extreme WDR, SLLS, Fisheye Lens



- 6 Megapixel with 1080p
- Day & Night with Adaptive IR LED and Superior Low Light Sensitivity
- Fisheye Lens with f1.3mm / F2.6
- Extreme WDR (130 dB)
- 20 fps at 3072 x 2048
- 180/360° Panorama View with Dewarped Streaming
- Heat Map

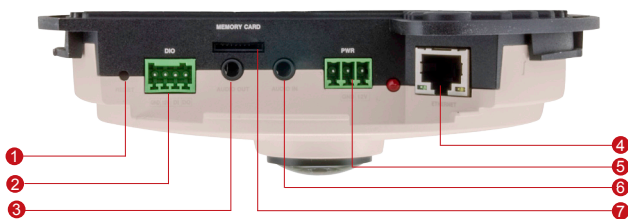
### FEATURE INTRODUCTION

#### Heat Map



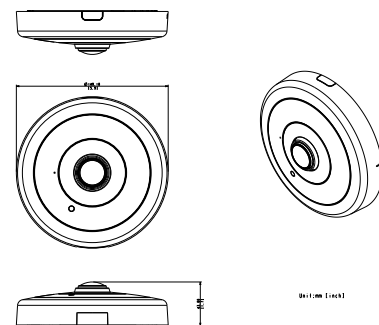
Heat Map video analytics camera is specifically designed to process heat map analytics to generate analysis meta-data. The meta-data analyzed could be collected by the ACTi reporting server for basic statistical report generation or the ACTi market application suite for business intelligence to provide advanced and customizable reports.

### PHOTO INDICATION



- 1 Reset Button
- 2 Digital Input/Output
- 3 Audio Out
- 4 Ethernet Port
- 5 DC 12V
- 6 Audio In
- 7 Memory Card Slot

### DIMENSION DIAGRAM



### ACCESSORY OPTIONS

| Power Supply |   |
|--------------|---|
| PPOE-0001    | IEEE 802.3af PoE Injector for Class 1, 2 or 3 devices, with universal adapter |
| PPBX-0002    | AC 100-240V to DC 12V power adapter with universal connector                  |

| Popular Mounting Solutions |                          |
|----------------------------|--------------------------|
| Surface                    | Accessories not required |
| Flush                      | PMAX-1009                |
| Pendant                    | PMAX-0101<br>PMAX-0103   |

\* For more mounting solutions, please refer to Project Planner on [www.acti.com](http://www.acti.com)

## PRODUCT SPECIFICATION

### Q51

#### • Device

|                          |   |
|--------------------------|---|
| Device Type              | Indoor Hemispheric Dome   |
| Image Sensor             | Progressive Scan CMOS   |
| Sensor Size              | 1/1.8"  |
| Effective Pixels         | 3072 (H) x 2048 (V) (6.29 MP)   |
| Day / Night              | Yes   |
| Low Light Sensitivity    | Superior  |
| Minimum Illumination     | Color: 0.1 lux at F2.6 (30 IRE, 2400 K); B/W: 0 lux at F2.6 (IR LED on) |
| Color to B/W Switch      | ISP based switch, configurable  |
| Mechanical IR Cut Filter | Yes   |
| IR Sensitivity Range     | 700 - 1100 nm   |
| IR LED                   | Adaptive IR LED   |
| IR Working Distance      | 20m   |
| Electronic Shutter       | 1/5 ~ 1/2,000 sec (manual mode); 1/5 ~ 1/10,000 sec (auto mode)         |
| Horizontal Resolution    | 1800 TVL  |
| S/N Ratio                | 56 dB   |

#### • Lens

|                          |                             |
|--------------------------|-----------------------------|
| Focal Length / Aperture  | Fisheye lens, f1.3mm / F2.6 |
| Iris                     | Fixed iris                  |
| Focus                    | Fixed focus                 |
| Mount Type               | Board mount                 |
| Horizontal Viewing Angle | 187°                        |

#### • Video

|                                |   |
|--------------------------------|---|
| Compression                    | H.264 (Baseline / Main / High profile), MJPEG   |
| View Mode                      | Fisheye view; Dewarped view: 180° / 360° Panorama, ePTZ   |
| Max. Frame Rate vs. Resolution | <b>Fisheye view mode:</b> 20 fps at 3072 x 2048; 30 fps at 2048 x 2048; 30 fps at 1024 x 1024; 30 fps at 1280 x 960; 30 fps at 800 x 600; 30 fps at 640 x 480<br><b>Dewarped view mode:</b> 24 fps at 1920 x 1920; 30 fps at 1920 x 1080; 24 fps at 1024 x 1024; 30 fps at 1280 x 720; 24 fps at 800 x 600; 30 fps at 640 x 480 |
| Multi-Streaming                | Simultaneous triple streams based on three configurations   |
| Bit Rate                       | 28 Kbps - 6 Mbps (per stream)   |
| Bit Rate Mode                  | Constant, Variable  |
| Image Enhancement              | Extreme WDR (130 dB); White balance: automatic, hold and manual; Brightness; Contrast; Sharpness (auto); Automatic gain control; 2D+3D digital noise reduction; Flickerless; Defogging  |
| Privacy Mask                   | 32 configurable regions   |
| Text Overlay                   | User defined text on video  |
| Image Orientation              | Image flip, mirror and rotation   |
| Built-in Analytics             | Heat Map, Dwell time, Object Based Motion Detection, Tamper, Shock Detection, Line Crossing, Enter Area, Missing Object, Unattended Object, Smoke Detection   |

#### • Audio

|                      |   |
|----------------------|---|
| Audio Type           | 2-way, Built-in Microphone, Mic-in, Line-in, Line-out |
| Compression          | 8 kHz, Mono, PCM, 16 bit encoding; G.711              |
| Audio-In / Audio-out | Terminal block  |

#### • Network

|                    |  |
|--------------------|--|
| Protocol & Service | TCP, UDP, HTTP, HTTPS, DHCP, PPPoE, RTP, RTSP, IPv4, IPv6, DNS, DDNS, NTP, ICMP, ARP, IGMP, SMTP, FTP, UPnP, SNMP, Bonjour, Sony VISCA, Pelco D, Pelco P |
| Ethernet Port      | 1, Ethernet (10/100 Base-T), RJ-45 connector   |
| Security           | IP address filtering; HTTPS encryption; Password protected user levels; IEEE 802.1X network access control; Anonymous Login                              |

#### • Alarm

|                |  |
|----------------|--|
| Alarm Trigger  | Video motion detection (3 regions); External device through digital input; Sound detection   |
| Alarm Response | Notify control center; Go to ePTZ preset point or preset tour; Change camera settings; Command other devices; E-mail notification with snapshots; Save video or snapshot to local storage; Upload video or snapshot to FTP server; Activate external device through digital output |

#### • Interface

|                                |  |
|--------------------------------|--|
| Digital Input / Digital Output | 1/1, Terminal block                                      |
| Local Storage                  | MicroSDHC/MicroSDXC memory card slot (card not included) |

#### • General

|                            |   |
|----------------------------|---|
| Power Source / Consumption | PoE Class 3 (IEEE 802.3af) / 12.95 W  |
| Weight                     | 0.751 kg (1.65 lb)  |
| Dimensions (Ø x H)         | 150 mm x 45 mm (5.9" x 1.8")  |
| Mount Type                 | Surface, Wall Mount, Ceiling Bracket, Flush, Corner Mount, Pole Mount, Gang Box                                   |
| Starting Temperature       | -10°C ~ 50°C (14°F ~ 122°F)   |
| Operating Temperature      | -20°C ~ 50°C (-4°F ~ 122°F)   |
| Operating Humidity         | 10% ~ 85% RH  |
| Approvals                  | CE (EN 55022 Class B, EN 55024), FCC (Part15 Subpart B Class B), UL (for optional PoE injector and power adapter) |

#### • Integration

|                         |   |
|-------------------------|---|
| Unified Solution        | Fully compatible with ACTi software   |
| ISV Integration         | Software Development Kit (SDK) available ; ONVIF compliant  |
| Firmware Access Browser | Microsoft Internet Explorer 8.0 or newer (full functionality)<br>Safari with QuickTime installed, and other browsers with VLC installed (partial functionality) |
| GPS Position            | Manual Setting  |

\* All specifications are subject to change without notice.

\* All brand names and registered trademarks are the property of their respective owners.

[www.acti.com](http://www.acti.com)

