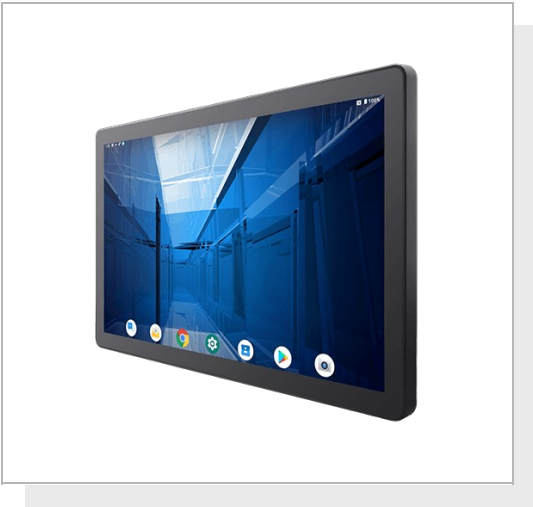


W22IQ3S-GCA3

21.5" Qualcomm Snapdragon™ 660 G-WIN GC-Series Front IP65 PCAP Panel PC



KEY FEATURES

- Qualcomm Snapdragon™ 660 octa-core, 2.2 GHz CPU
- Fanless cooling system and ultra-low power consumption
- Front IP65 for protection against water and dust
- A true flat, easy-to-clean front surface with edge-to-edge design
- Plenty of I/O, including 1 x USB 3.0 OTG, 2 x USB 2.0; 1 x RS232/422/485; 1 x RJ45; 1 x Micro SD Slot; 1 x Micro HDMI (Optional);

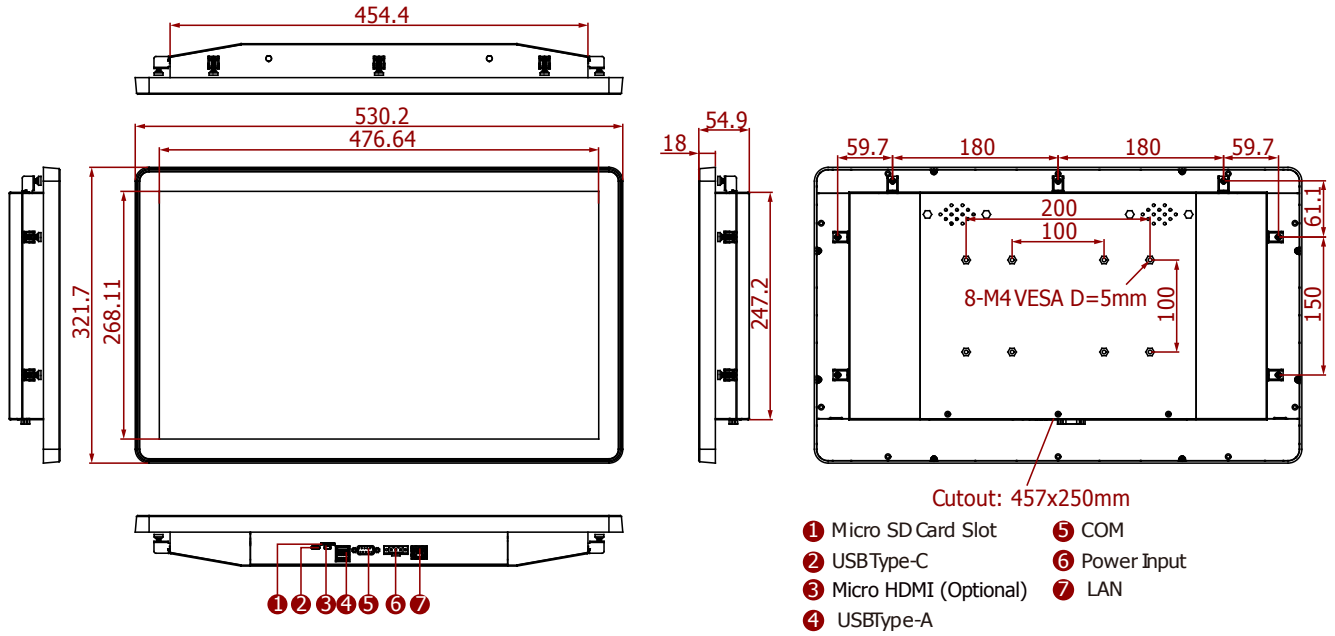


SPECIFICATIONS

System Specification			
Processor	Qualcomm® Snapdragon™ 660 (Octa-Core 2.2 GHz)	Memory	3GB LPDDR4
Storage	32GB eMMC	Operating System	Android 9.0
WLAN	Support (Optional)	BT	Support (Optional)
Display			
Resolution	1920x1080	Size	21.5 inches
Contrast Ratio	3000:1	Panel Brightness	250 nits
View Angles	89,89,89,89	Active Area	476.64x268.11 mm
Touch / Glass	Projected Capacitive Multi Touch Screen		
IO Ports			
USB Port	2 x USB 2.0 (Type A), 1 x USB 3.0 (Type-C)	Serial Port	1 x RS232/422/485 (Default RS232)
SD Card Slot	1 x Micro SD Card Slot	Video	1 x Micro HDMI (Optional)
LAN	1 x LAN(USB to LAN AX88178A)		
Certification			
Certification	CE, FCC		
Power			
Power Rating	12V DC with Terminal Block 9~36V (Optional)	Adapter	12V 50W
Mechanical			
Dimension	530 x 322 x 51 mm	Mounting	VESA Mount (100x100mm), Panel Mount
Enclosure	Metal Housing with Plastic Bezel	Cooling System	Fanless Design
Environment			
Operating Humidity	10% to 90% (Non-Condensing)	Operating Temperature	0~50°C
Storage Temperature	-20~60°C	Shock	MIL-STD-810G Method 516.6
Vibration	MIL-STD-810G Method 514.6	IP rating	Front IP65
Accessory			

Accessory	Quick Start Guide(Hardcopy) AC Adapter 12V/50W Power Cord 3 Pin Terminal Block to DC Jack
Control	
Button	1 x Power Button (Optional)

DIMENSIONS UNIT:MM



NOTE

1. This is a simplified drawing and some components are not marked in detail.
2. Please contact our sales representative if you need further product information.
3. The product shown in this datasheet is a standard model. For diagrams that contain customized or optional I/O, please contact the Winmate Sales Team for more information.
4. All specifications are subject to change without prior notice.