

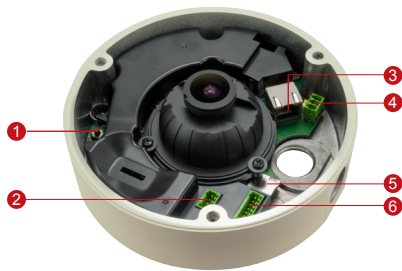
B74

8MP Video Analytics Outdoor Hemispheric Dome with D/N, Adaptive IR, Extreme WDR, SLLS, Fixed Lens



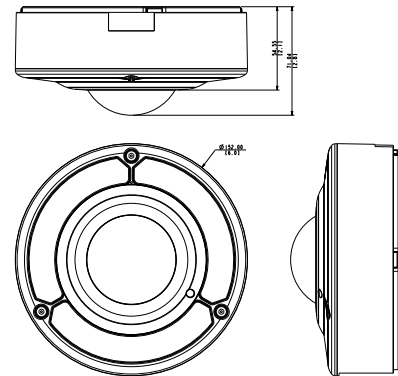
- 8 Megapixel with 1080p
- Day & Night with Superior Low Light Sensitivity and Adaptive IR LED
- Fisheye Lens with f1.3mm / F2.6
- Extreme WDR (130 dB)
- 30 fps at 3072 x 2048
- 180/360° Panorama View with Dewarped Streaming
- Weatherproof (IP68) and Vandal Proof Metal Casing (IK10)
- Built-in Analytics

PHOTO INDICATION



- 1 Reset Button
- 2 Audio Input / Output
- 3 Ethernet Port
- 4 DC 12V Power Input
- 5 Memory Card Slot
- 6 Digital Input / Output

DIMENSION DIAGRAM



ACCESSORY OPTIONS

Unit: mm [inch]

Power Supply		
PPOE-0001		IEEE 802.3af PoE Injector for Class 1, 2 or 3 devices, with universal adapter
PPBX-0002		AC 100-240V to DC 12V power adapter with universal connector

Popular Mounting Solutions		
Surface	Accessories not required	
Wall	PMAX-0802	
Pendant	PMAX-0101 PMAX-0102	
Pole	PMAX-0504 PMAX-0330	
Corner	PMAX-0402 PMAX-0314	
Gang Box	PMAX-0804	

* For more mounting solutions, please refer to Project Planner on www.acti.com

PRODUCT SPECIFICATION

B74

• Device

Device Type	Outdoor Hemispheric Dome Camera
Image Sensor	Progressive Scan CMOS
Sensor Size	1/1.8"
Effective Pixels	4096 (H) x 2160 (V) (8.8 MP)
Horizontal Resolution	1800 TVL
Day / Night	Yes
Low Light Sensitivity	Superior
Minimum Illumination	Color: 0.1 lux at F2.6 (30 IRE, 2400°K); B/W: 0 lux (IR LED on)
Color to B/W Switch	ISP based switch, configurable
Mechanical IR Cut Filter	Yes
IR Sensitivity Range	700 - 1100 nm
IR LED	Adaptive IR LED x 18 (850 nm)
IR Working Distance	20 m (0 lux, 30 IRE, Gain 255, Auto shutter mode)
Electronic Shutter	1/5 ~ 1/2,000 sec (manual mode); 1/5 ~ 1/10,000 sec (auto mode)
S/N Ratio	52 dB

• Lens

Focal Length / Aperture	Fisheye lens, f1.3mm / F2.6
Iris	Fixed iris
Focus	Fixed focus
Mount Type	Board mount
Horizontal Viewing Angle	194°
Viewing Angle Adjustment	Rotate: -175°-175°

• Video

Compression	H.264 (Baseline / Main / High profile), MJPEG
View Mode	Fisheye view; Dewarped view: 180° / 360° Panorama, ePTZ
Max. Frame Rate vs. Resolution	Fisheye: 30 fps at 3072 x 2048; 30 fps at 2592 x 1944; 30 fps at 2048 x 1536; 120 fps at 1920 x 1080; 120 fps at 1280 x 720; 30 fps at 640 x 480 Dewarped: 10 fps at 4096 x 2160; 10 fps at 3840 x 2160; 30 fps at 1920 x 1080; 30 fps at 1280 x 960; 30 fps at 1280 x 720; 30 fps at 800 x 600; 30 fps at 640 x 480
Multi-Streaming	Simultaneous triple streams based on video configurations
Bit Rate	28 Kbps - 12 Mbps (per stream)
Bit Rate Mode	Constant, Variable
Privacy Mask	32 configurable regions
Image Enhancement	Extreme WDR (130 dB); White balance: automatic, hold and manual; Brightness; Contrast; Sharpness (auto); Automatic gain control; 2D+3D digital noise reduction; Flickerless; Defogging
Text Overlay	User defined text on video
Image Orientation	Image flip and mirror
Built-in Analytics	Tamper; Shock Detection; Digital Auto Tracking; **Line Crossing; **Enter Area; **Missing Object; **Unattended Object; **Smoke Detection (*Some of the algorithms may not be available in the first release, can be upgraded for free later.)

• Audio

Compression	8 kHz, Mono, PCM, 16 bit encoding; G.711
Audio-In	Cable with 3.5mm phone jack
Audio-Out	Cable with 3.5mm phone jack

• Network

Protocol & Service	TCP, UDP, HTTP, HTTPS, DHCP, PPPoE, RTP, RTSP, IPv4, IPv6, DNS, DDNS, NTP, ICMP, ARP, IGMP, SMTP, FTP, UPnP, SNMP, Bonjour, Sony VISCA, Pelco D, Pelco P
Ethernet Port	1, Ethernet (10/100 Base-T), RJ-45 connector
Security	IP address filtering; HTTPS encryption; Password protected user levels; IEEE 802.1X network access control; Anonymous Login

• Alarm

Alarm Trigger	Video motion detection (10 regions); External device through digital input; Sound detection
Alarm Response	Notify control center; Go to ePTZ preset point or preset tour; Change camera settings; Command other devices; E-mail notification with snapshots; Save video or snapshot to local storage; Upload video or snapshot to FTP server; Activate external device through digital output

• Interface

Digital Input	2, Terminal block
Digital Output	2, Terminal block
Local Storage	MicroSDHC/MicroSDXC memory card slot (card not included)

• General

Power Source / Consumption	PoE Class 3 IEEE802.3af / 7.3 W DC 12V (adapter not included) / 5.6 W
Weight	936 g (2.059 lb)
Dimensions (Ø x H)	152.00 mm x 71.04 mm (6.0" x 2.8")
Environmental Casing	Weatherproof (IP68); Vandal proof metal casing (IK10)
Mount Type	Surface, Wall, Pendant, Pole, Corner, Gang box
Starting Temperature	-40°C ~ 50°C (-40°F ~ 122°F)
Operating Temperature	-40°C ~ 50°C (-40°F ~ 122°F)
Operating Humidity	10% ~ 85% RH
Approvals	CE (EN 55022 Class B, EN 55024), FCC (Part15 Subpart B Class B), IP68, IK10 (metal casing), NEMA 4X, UL (for bundled power adapter)

• Integration

Unified Solution	Fully compatible with ACTi software
ISV Integration	Software Development Kit (SDK) available ; ONVIF compliant
GPS Position	Manual setting
Firmware Access Browser	Microsoft Internet Explorer 8.0 or newer (full functionality) Safari with QuickTime installed, and other browsers with VLC installed (partial functionality)

* All specifications are subject to change without notice.

* All brand names and registered trademarks are the property of their respective owners.

www.acti.com

