



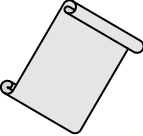


Packing List

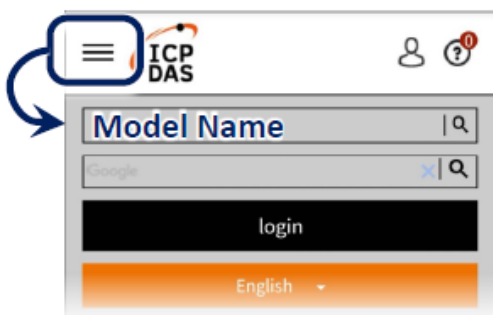
IP Camera iCAM-ZMR8422X includes following items:

	 (inserted in)	
iCAM-ZMR8422X x 1	4 GB Micro SD Card x 1	Alignment Sticker X 1
		
Screws and Anchor Set x 3		Quick Start x 1

Technical Resources

How to search for drivers, manuals and spec information on ICP DAS website.

- For Mobile Web



Technical Support

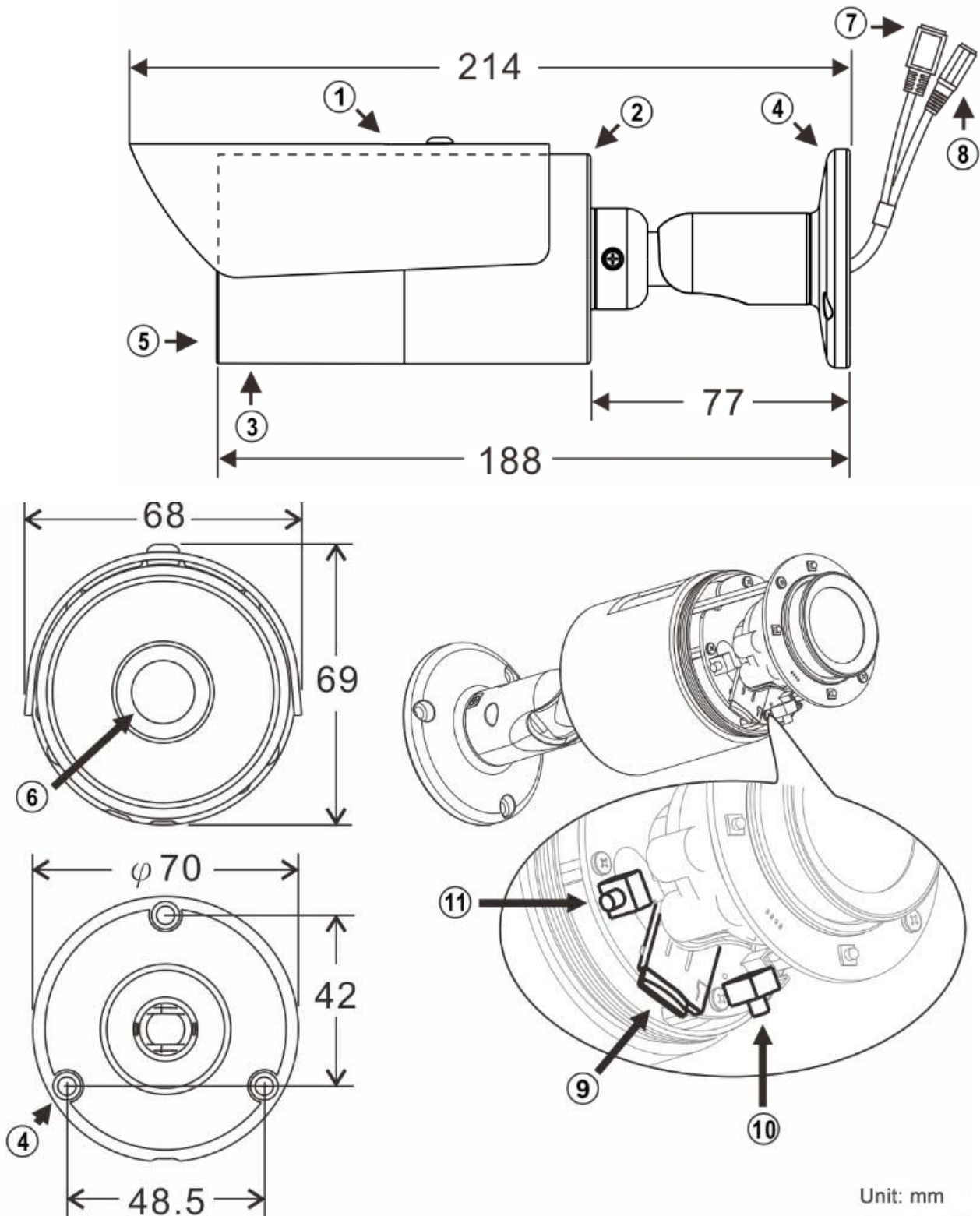
service@icpdas.com

www.icpdas.com

- For Desktop Web



1 Part Description & Dimensions



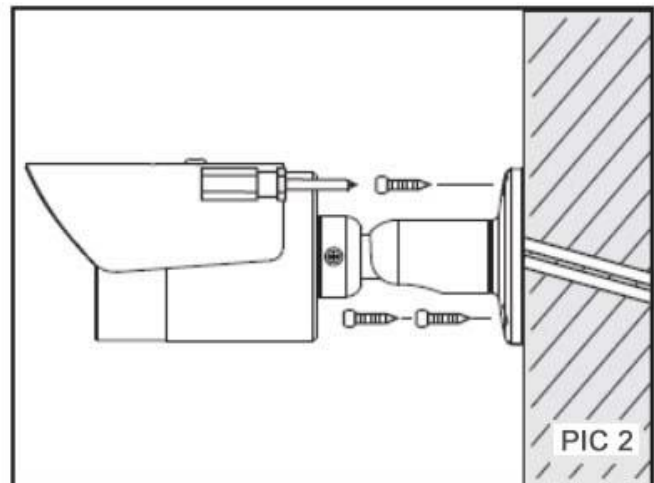
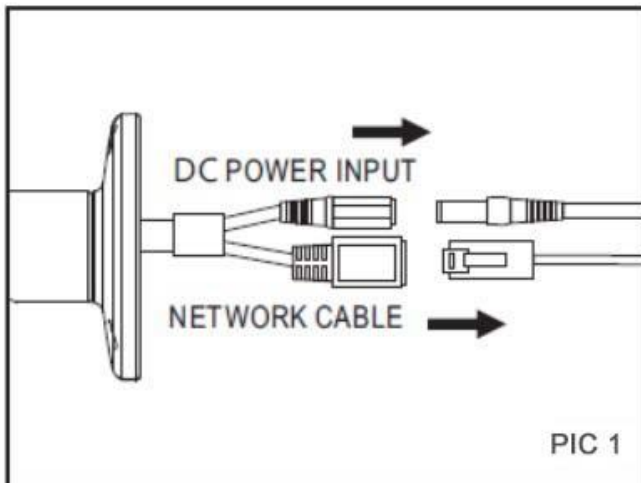
①Sun Shield ②Main Body ③Front Cover ④Bracket Base ⑤Window

⑥Lens ⑦RJ-45 Network Port (PoE supported) ⑧Power jack (DC12V ±10%)

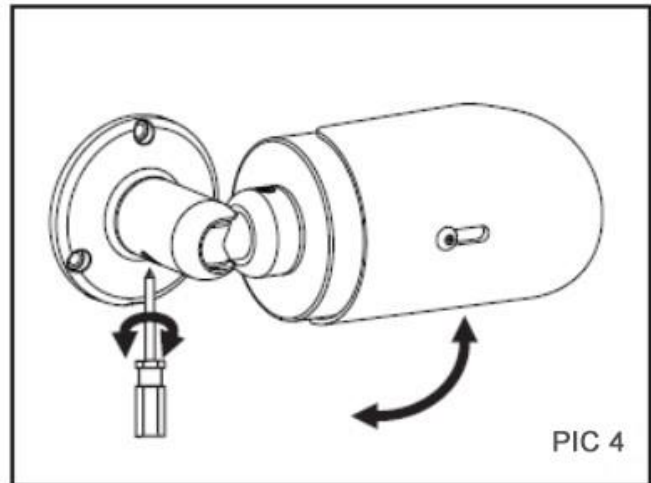
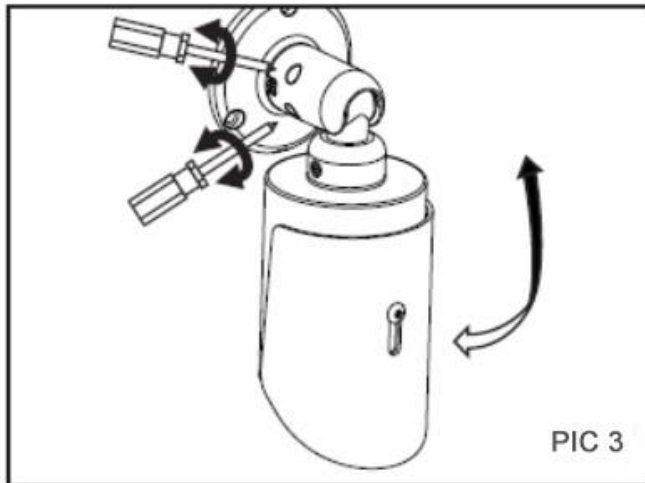
⑨Micro SD card slot ⑩Factory default button ⑪Auto Focus button

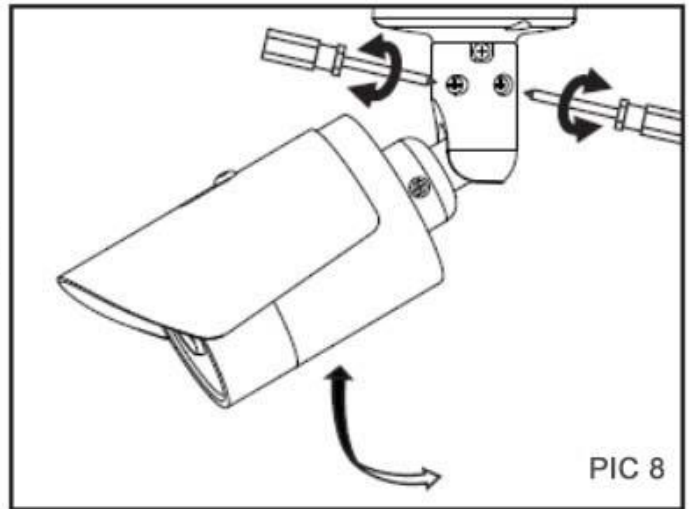
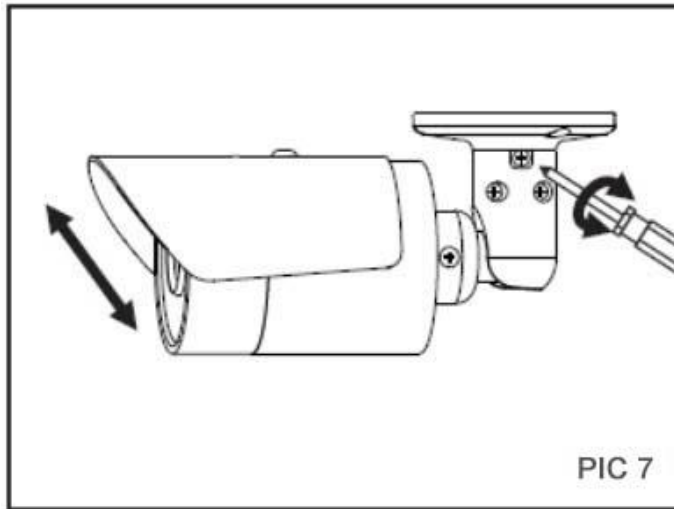
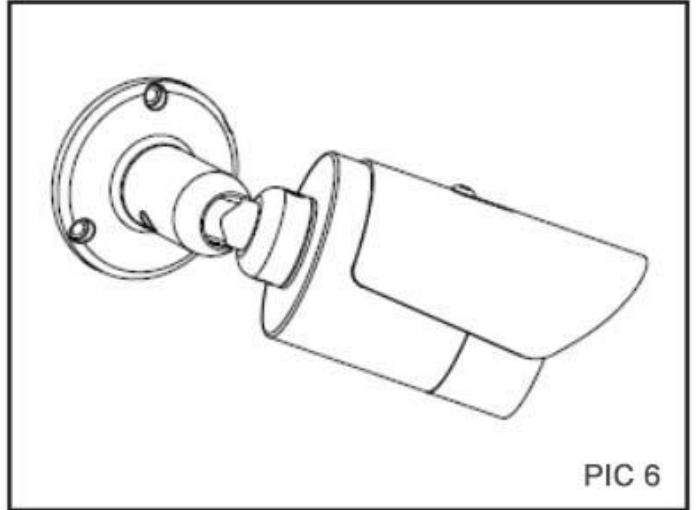
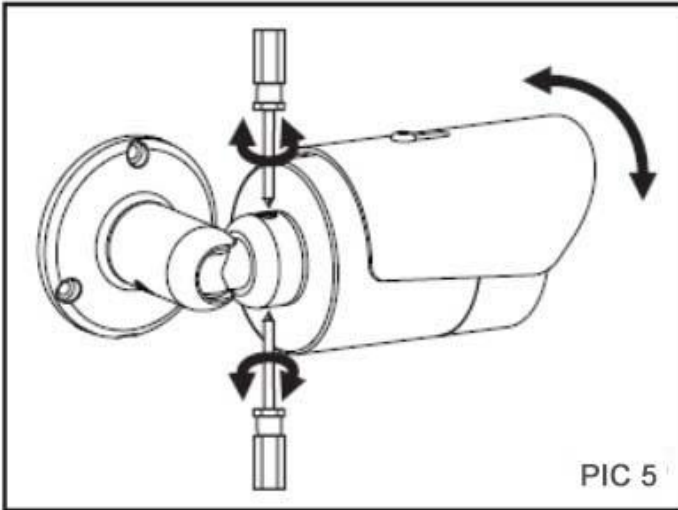
2 Hardware Installation

- 1) Retrieve the camera and connect the Ethernet cable and power cable to the RJ-45 network connector and DC power-in connector (PIC.1). Fix the camera into the wall (PIC.2).



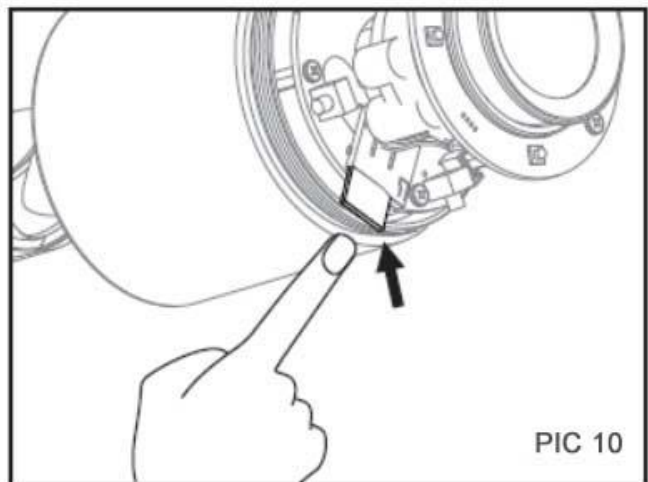
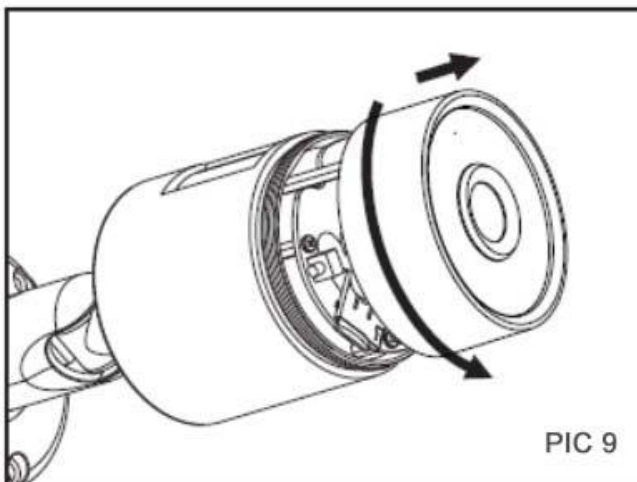
- 2) Adjust the five adjustment screws to move the camera to the desired angle, and then tighten the adjustment screws (PIC.3~8)





3) Inserting a Micro SD Card

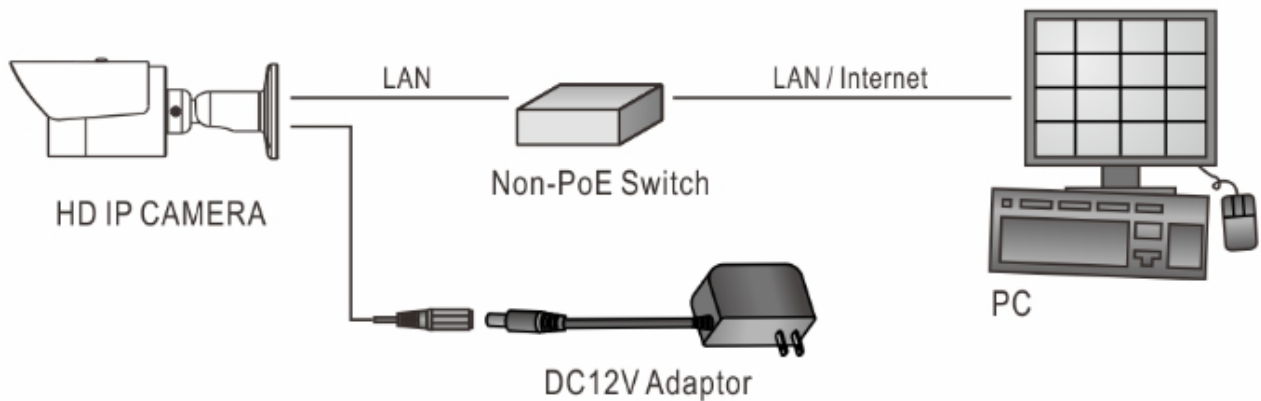
Rotate the front cover counterclockwise to remove it and insert a Micro SD card (PIC.9 & 10).



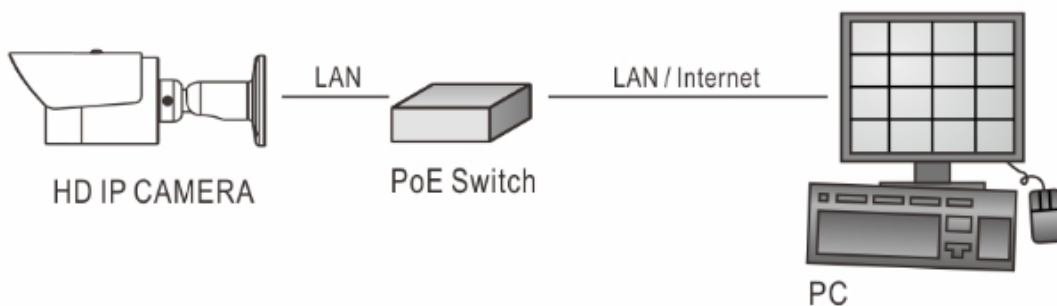
3 System Architecture

For connecting IP Camera to your network, please choose one of the following system architectures:

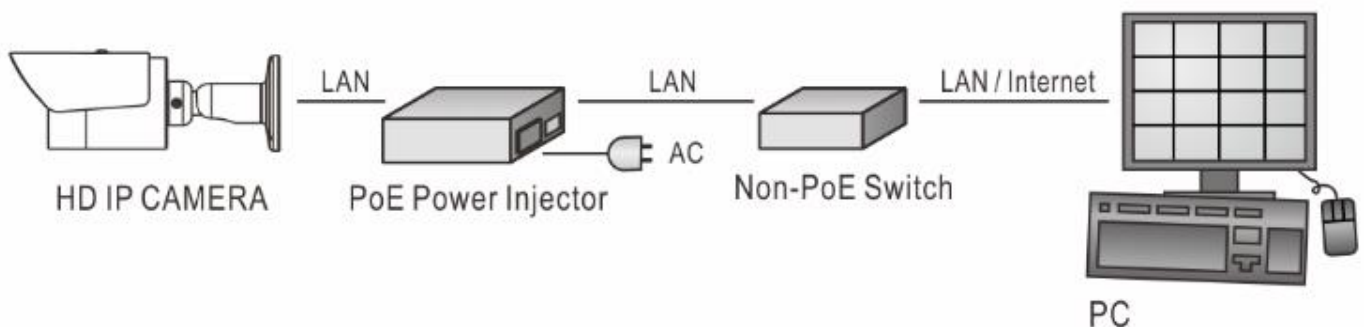
(1). Use DC12V power adaptor and network switch connected to a network.



(2). Connected to the network using a PoE switch.



(3). Use PoE power injector and network switch connected to the network.



4 Reset to Factory Defaults

Reset the hardware to factory defaults, please follow these steps:

1. Press and hold “RESET Key” for 10 seconds and release.
2. Wait for 40 seconds, then the network LED light will turn off, and go back on again.
3. The camera is now restored to factory defaults, and will reboot automatically.
4. Search for the device IP using the IPScan software.
5. Use a web browser to open this device IP.
6. Enter the default username “**admin**” and password “**pass**” to operate.

Note: Reset to the factory defaults will restore to the default IP address: 192.168.0.200

5 Before Accessing IP Cameras

Before accessing the IP camera, make sure that the camera's RJ-45 network, audio, and power cables are properly connected. To set the IP address, consult your network administrator for an available IP address. The default IP address for each IP camera is **192.168.0.200**. Users can use the default IP address for verifying the camera's network connection.

6 Software Requirements

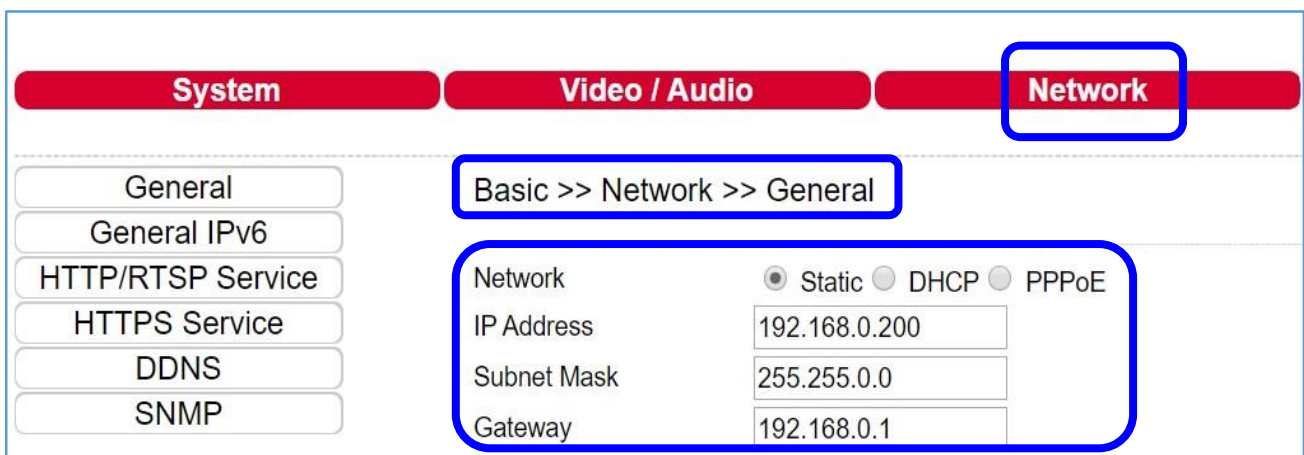
When login to the IP camera by Internet Explorer, the pop-up box will prompt (OS Win10 excluded) the installation of the Universal ActiveX. Click **Install** to download it.



7 Configuring IP Addresses via Web Interface

Set your PC Address the same network segment as the default IP address (192.168.0.200). Key in the default iCAM IP address in the web browser and follow the steps below:

1. Login to the iCAM by key in the default username “**admin**” and password “**pass**”.
2. When log in, click upper right “**Setup**” to get to following capture page



The screenshot shows the iCAM web interface with the following configuration details:

System	Video / Audio	Network
General	Basic >> Network >> General	
General IPv6		
HTTP/RTSP Service		
HTTPS Service		
DDNS		
SNMP		
	Network	<input checked="" type="radio"/> Static <input type="radio"/> DHCP <input type="radio"/> PPPoE
	IP Address	192.168.0.200
	Subnet Mask	255.255.0.0
	Gateway	192.168.0.1

3. Click “**Network**” and get into “**General**”
4. Set the **IP address**, **Subnet Mask**, and **Gateway** to the required one
5. Click **Submit** to verify all settings.

8 Configuring IP Addresses with IPScan Software

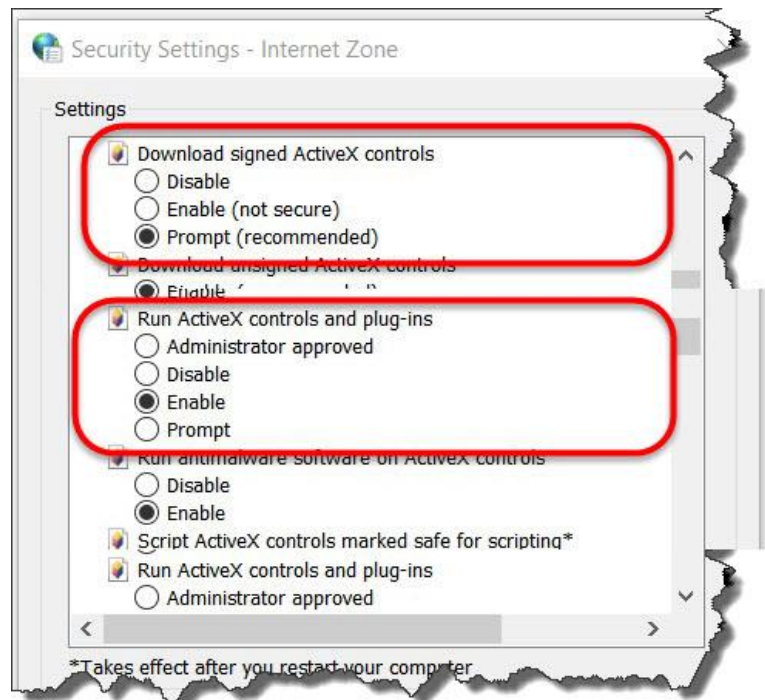
【OR】 To change the settings of the IP address, Subnet Mask, Gateway, or etc., you can follow the steps below:

1. Run **IPScan** Software (or other **IP Scanner software** is accepted)
2. Click **Refresh/Scan**. All available devices should be shown in the list
3. Click to set the **IP address**, **Subnet Mask**, **Gateway** to the required one
4. Click **Apply** to confirm the settings and verify settings.

9 Internet Properties & Security Settings

Make sure your Internet browser allows the ActiveX plug-in to work on your computer. Set

Download Signed ActiveX controls to "Prompt" and **Run ActiveX controls and plug-ins** to "Enable". You can set this option through **Control Panel** → **Network and Internet** → **Manage**



Browser Add-ons → **Internet Properties** → **Security** → **Custom Level**.

Once complete, you can access the iCAM live video by entering the default IP address via your web browser. As the security warning dialog box appears, click **OK** to download the ActiveX directly from the iCAM.

10 Sign In

Please key in following Default Username and Password when the right-side dialog box pop-ups.

Default Username/password :

Username	admin
Password	pass

