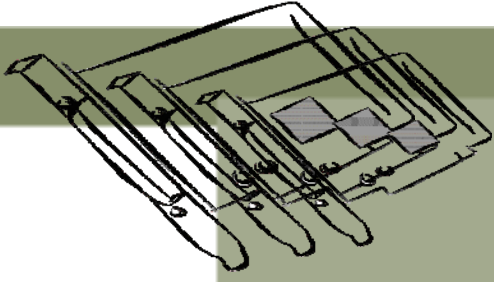


I/O CARD QUICK START GUIDE



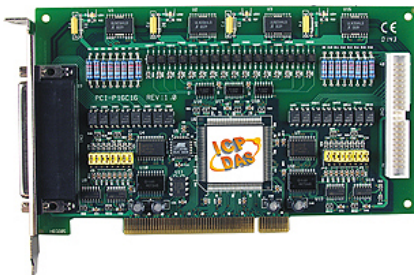
for PCI-P16C16

English/ May 2011/ Version 1.2

1

What's in the shipping package?

- One PCI-P16C16 series card
- One companion PCI CD (V5.2 or later)
- One Quick Start Guide (This document)
- One CA-4037W cable and two CA-4002 D-Sub connectors



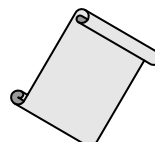
**PCI-P16C16
Series Card**



Software Utility CD



CA-4037W



Quick Start Guide



CA-4002

2

Installing Windows Driver

1. Setup the Windows driver. The driver is located at:

- The UniDAQ driver supports 32-bit/64-bit Windows XP/2003/Vista/2008/7; it is recommended to install this driver for new user:

CD:\NAPDOS\PCI\UniDAQ\DLL\Driver\

<http://ftp.icpdas.com/pub/cd/iocard/pci/napdos/pci/unidaq/dll/driver/>



This example uses this driver

- The PCI-P16R16 series driver supports Windows 98/NT/2K and 32-bit XP/2003/Vista/7. Recommended to install this driver for have been used PCI-P16R16 series boards of regular user, please refer to:

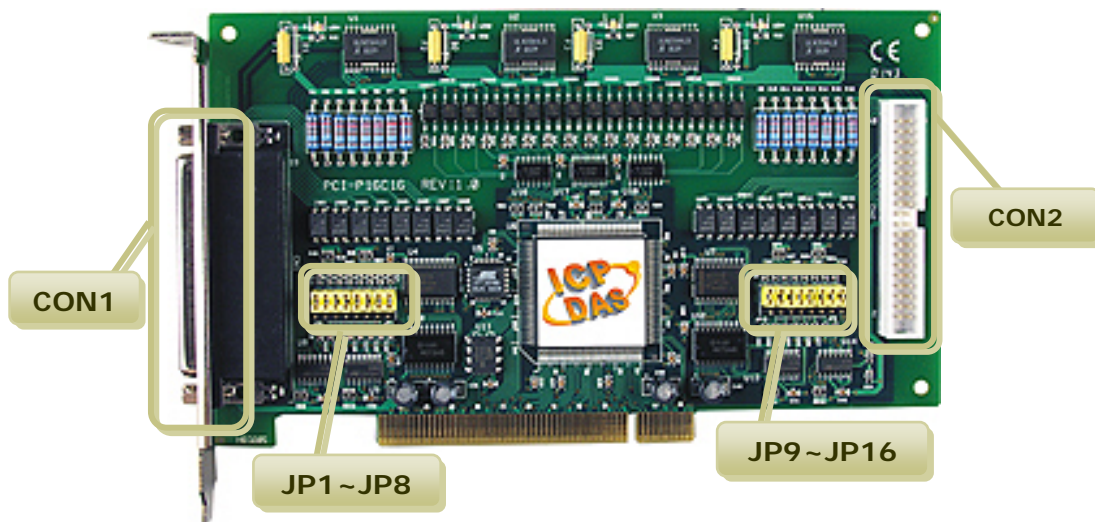
CD:\NAPDOS\PCI\PCI-P16R16>manual\QuickStart\PCI_PxCx_QuickStart_Eng.pdf

http://ftp.icpdas.com/pub/cd/iocard/pci/napdos/pci/pci-p16r16/manual/quickstart/pci_px_cx_quickstart_eng.pdf

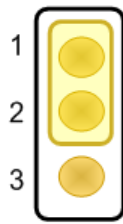
2. Click the “Next>” button to start the installation.
3. Click the “Next>” button to install the driver into the default folder.
4. Click the “Install” button to continue the installation.
5. Select “NO, I will restart my computer later” and then click the “Finish” button.

3

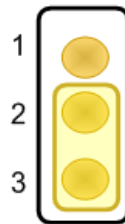
Jumper Setting



■ JP1 ~ JP8 、 JP9 ~ JP16: Input Signal Type Jumper



Without Filter
For DC Signal
(Default Setting)



Without AC Filter
For AC Signal



For more detailed jumper information, please refer to manual section 1.5.3 Jumper Settings.

CD: \NAPDOS\PCI\PCI-P16R16\manual\

Jumper	Channel	Jumper	Channel
JP1	DI0	JP9	DI8
JP2	DI1	JP10	DI9
JP3	DI2	JP11	DI10
JP4	DI3	JP12	DI11
JP5	DI4	JP13	DI12
JP6	DI5	JP14	DI13
JP7	DI6	JP15	DI14
JP8	DI7	JP16	DI15

4 Installing Hardware on PC

Follow these steps:

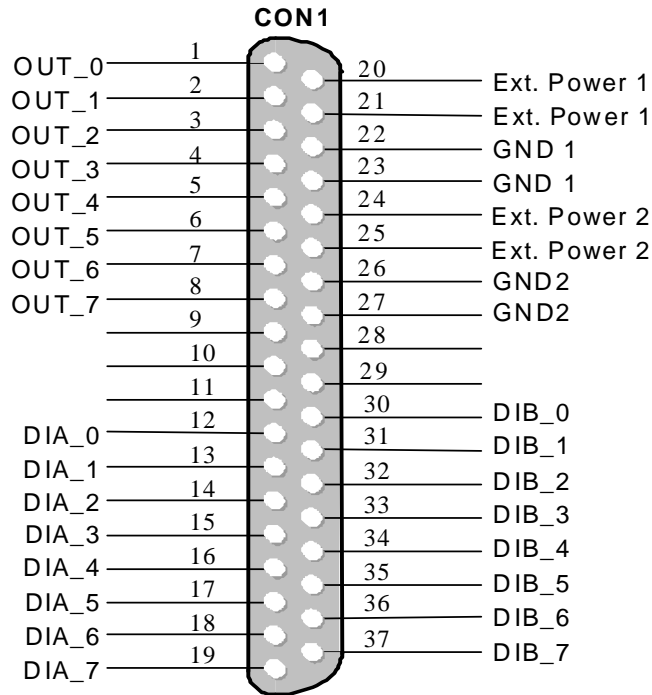
1. Shut down and power off your computer.
2. Remove the cover from the computer.
3. Select an unused PCI slot.
4. Carefully insert your I/O card into the PCI slot.
5. Replace the PC cover.
6. Power on the computer.

After powering-on the computer, please finish the Plug&Play steps according to the prompted messages.

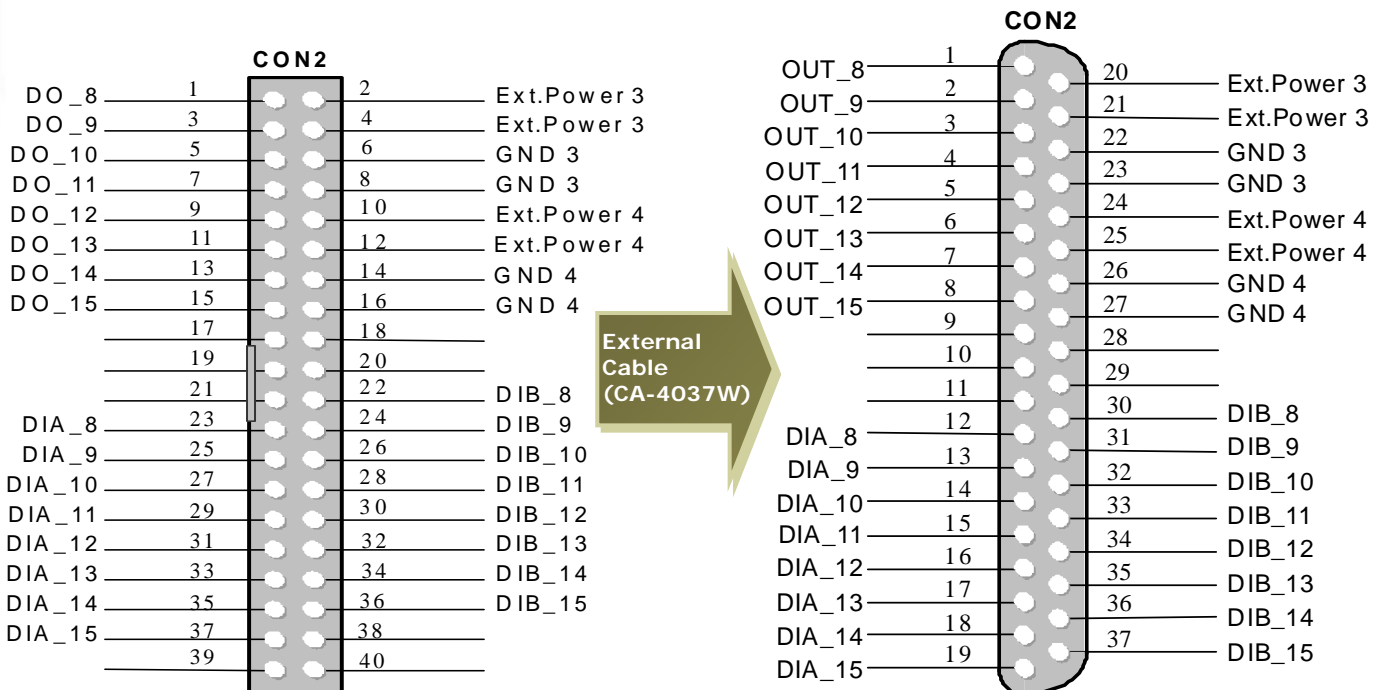
5

Pin Assignments

CON1 Connector (Female DB37)



CON2 Connector (40-pin box header)



6 Self Test

1. Prepare for device:

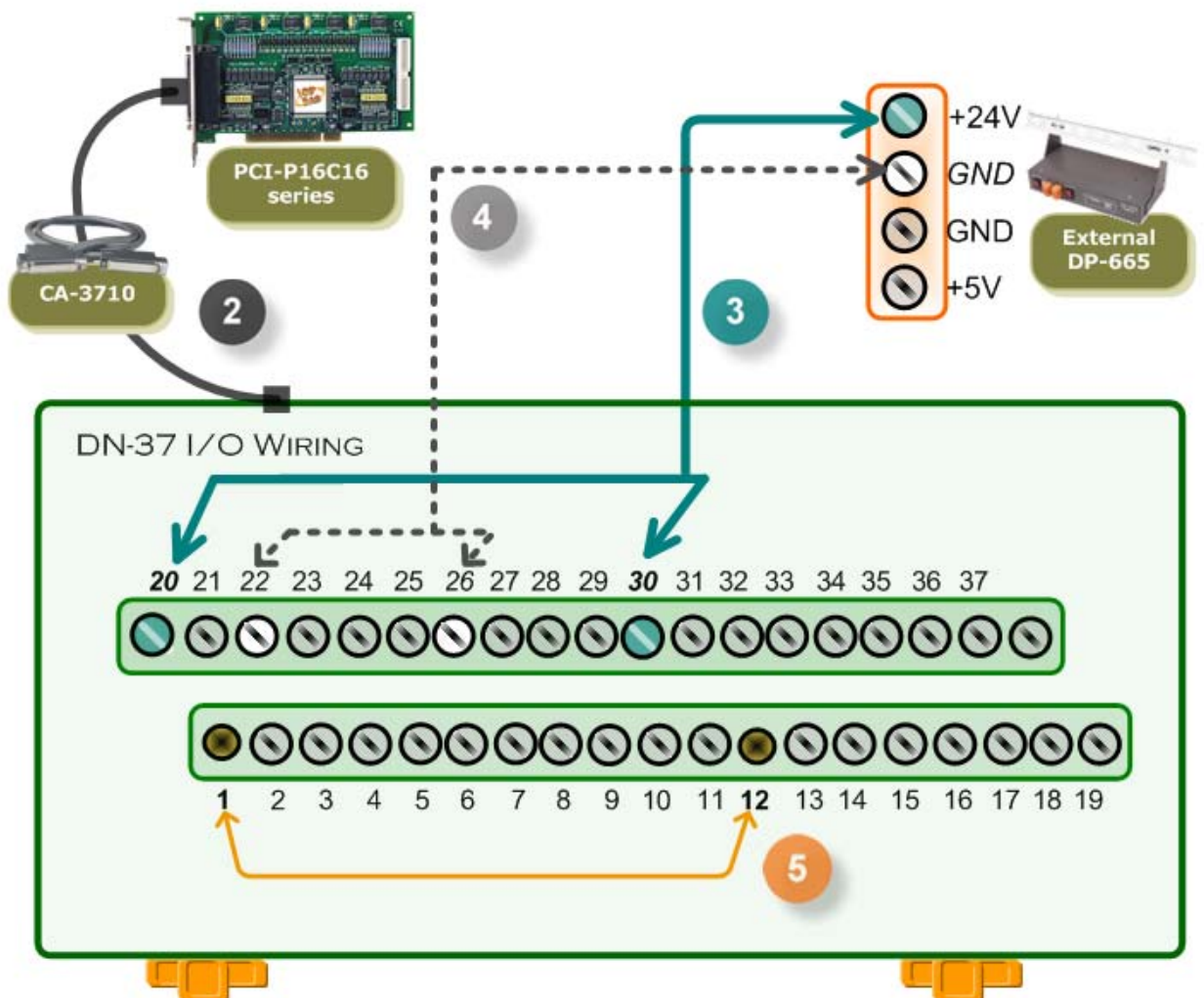
- DN-37 (Optional) wiring terminal board.
- External power supply device. For example: DP-665(Optional)

2. Use the DN-37 to connect the board CON1.

3. **Connect the External Power +24V to CON1.Ext.Power1 and CON1.DIB 0.** (+24V ↔ pin20, pin30)

4. **Connect the External Power GND to CON1.GND 1, CON1.GND 2.** (GND ↔ pin22, pin26)

5. **Connect the CON1.OUT 0 with CON1.DIA 0.** (pin1 ↔ pin12)



**6. Execute the Digital IO sample program.
The sample program is contained in:**

CD:\NAPDOS\PCI\UniDAQ\DLL\Demo\
<http://ftp.icpdas.com/pub/cd/iocard/pci/napdos/pci/unidaq/dll/demo/>

7. The following sample program is written in Delphi6.

File: DLL_delphi6_XXXXXX.exe

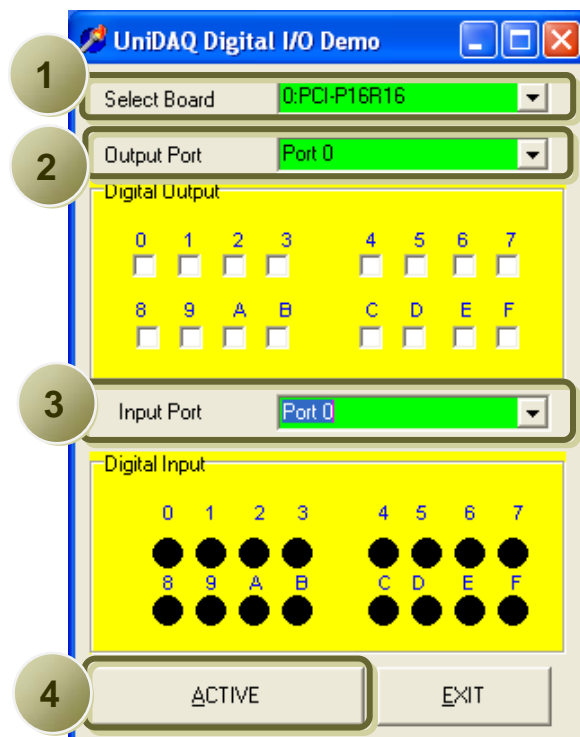
Path: ... \ DLL_Delphi6\Digital_IO\
Double click the "Digital_IO.exe"



Digital_IO.exe

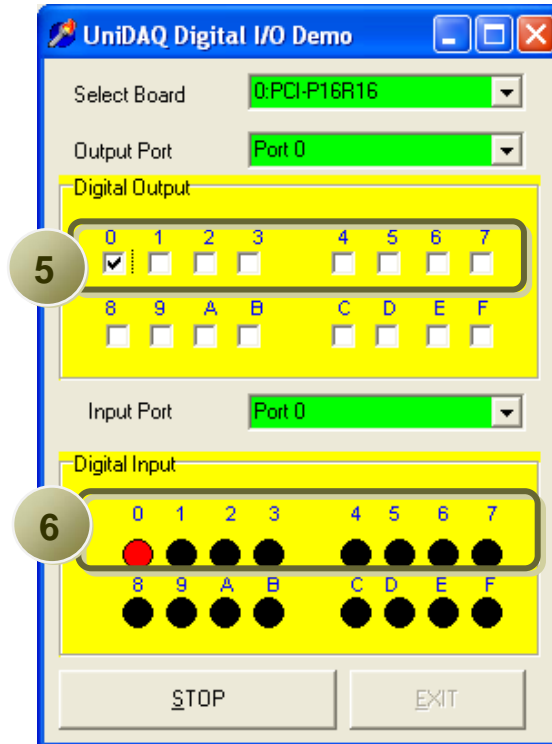
**8. Verify total numbers of the PCI-P16C16 card and
Perform DIO functions test.**

- 1 Select the board number for the PCI-P16C16 to activate.
(It ranges form 0 to total board number subtracting one)
- 2 Select the Port 0 in the Output port drop down list.
- 3 Select the Port 0 in the Input port drop down list.
- 4 Click this button to start test.



9. Get DIO function test result.

- 5 Click channel 0 in Digital Output field.
- 6 The Digital Input status should show current status-- channel 0 now in high state (Red light).



Additional Information

- **PCI-P16C16 Series Card Product page:**
http://www.icpdas.com/products/DAQ/pc_based/pci_p16c16.htm
- **DP-665, CA-3710 and DN-37 page (Optional):**
http://www.icpdas.com/products/Accessories/power_supply/dp-665.htm
http://www.icpdas.com/products/Accessories/cable/cable_selection.htm
http://www.icpdas.com/products/DAQ/screw_terminal/dn_37.htm
- **Documentation:**
CD:\NAPDOS\PCI\PCI-P16R16\Manual
<http://ftp.icpdas.com/pub/cd/iocard/pci/napdos/pci/pci-p16r16/manual/>
CD:\NAPDOS\PCI\UniDAQ\Manual
<http://ftp.icpdas.com/pub/cd/iocard/pci/napdos/pci/unidaq/maunal/>
- **Software:**
CD:\NAPDOS\PCI\UniDAQ\DLL
<http://www.icpdas.com/download/pci/pci-p16r16.htm>

