

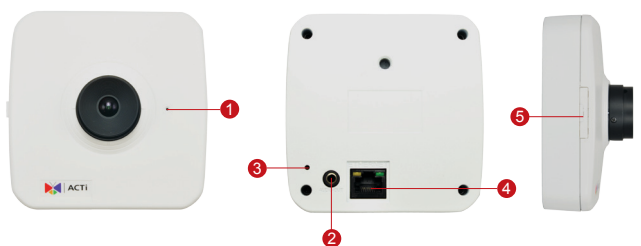
# E17

## 3MP Cube with Extreme WDR, SLLS, Fixed Lens



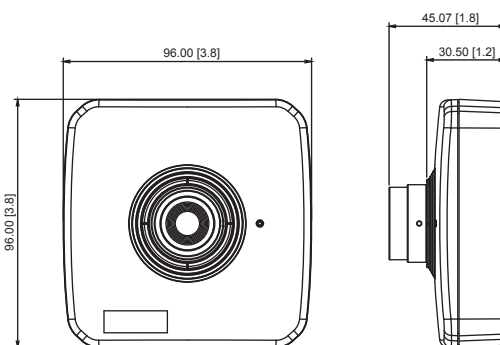
- 3 Megapixel with 1080p
- Fixed Lens with f2.8mm / F1.8
- Superior Low Light Sensitivity
- Extreme WDR (142 dB)
- 30 fps at 2048 x 1536
- Wide Angle

### PHOTO INDICATION




- 1 Built-in Microphone
- 2 Audio Output
- 3 Reset Button
- 4 Ethernet Port
- 5 Memory Card Slot

### DIMENSION DIAGRAM



Unit: mm [inch]

### ACCESSORY OPTIONS

Power Supply		
PPOE-0001		IEEE 802.3af PoE Injector for Class 1, 2 or 3 devices, with universal adapter

## PRODUCT SPECIFICATION

### E17

#### • Device

Device Type	Cube Camera
Image Sensor	Progressive Scan CMOS
Sensor Size	1/2.8"
Effective Pixels	2065 (H) x 1553 (V) (3.21 MP)
Day / Night	No
Low Light Sensitivity	Superior
Minimum Illumination	Color: 0.1 lux at F1.8
Mechanical IR Cut Filter	No
IR LED	No
Electronic Shutter	1/5 ~ 1/64,000 sec (manual mode); 1/5 ~ 1/64,000 sec (auto mode)
Horizontal Resolution (TV Lines)	1300 TVL
S/N Ratio	56 dB

#### • Lens

Focal Length / Aperture	Fixed focal, f2.8mm / F1.8
Iris	Fixed iris
Focus	Fixed focus
Lens Mount	CS Mount (interchangeable lens)
Horizontal Viewing Angle	100.5°
Vertical Viewing Angle	76.4°

#### • Video

Compression	H.265, H.264 (Baseline / Main / High profile), MJPEG
Max. Frame Rate vs. Resolution	30 fps at 2048 x 1536; 30 fps at 1920 x 1080; 30 fps at 1280 x 720; 30 fps at 800 x 600; 30 fps at 640 x 480; 30 fps at 320 x 240
Multi-Streaming	Simultaneous dual streams based on two configurations
Bit Rate	28 Kbps ~ 12 Mbps (per stream)
Bit Rate Mode	Constant, Variable
Image Enhancement	Extreme WDR (142 dB), White Balance, Brightness, Contrast, Sharpness, Auto Gain Control, 2D+3D Digital Noise Reduction, Flickerless, Defogging, Digital Image Stabilizer
Privacy Mask	4 configurable regions
Text Overlay	Yes
Image Orientation	Image flip, mirror and rotation
Built-in Analytics	Tampering Detection

#### • Audio

Compression	8kHz, Mono, G.711
Audio-In	Built-in Microphone
Audio-Out	3.5mm Phone Jack

#### • Network

Protocol & Service	IPv4/v6, TCP, UDP, DHCP, PPPoE, HTTP, HTTPS, DNS, DDNS, NTP, RTP, RTSP, RTCP, SMTP, FTP, IGMP, ICMP, ARP, Bonjour, UPnP, QoS, SNMP
Ethernet Port	1, Ethernet (10/100 Base-T), RJ-45 connector
Security	IP address filtering, HTTPS encryption, Password protected user level, Anonymous login

#### • Alarm

Alarm Trigger	Video motion detection (3 regions), Sound detection, Tampering detection
Alarm Response	Notify control center, Change camera settings, Command other devices, E-mail notification with snapshots, Play the audio file, Push notification to mobile device, Save video to local storage, Upload video to NVR server, Upload video or snapshot to FTP server

#### • Interface

Local Storage	MicroSDHC/MicroSDXC memory card slot (card not included)
---------------	--

#### • General

Power Source / Consumption	PoE Class 2 (IEEE802.3af) / 6.49W
Weight	241 g (0.53 lb)
Dimensions (W x H x D)	96mm x 96mm x 45mm (3.8" x 3.8" x 1.8")
Bundled Accessories	Bracket
Mount Type	Wall, Ceiling
Starting Temperature	-10°C ~ 50°C (14°F ~ 122°F)
Operating Temperature	-10°C ~ 50°C (14°F ~ 122°F)
Operating Humidity	20% ~ 80% RH
Approvals	CE (EN 55022 Class B, EN 55024), FCC (Part15 Subpart B Class B), UL (for optional PoE injector)

#### • Integration

Unified Solution	Fully compatible with ACTi software
ISV Integration	Software Development Kit (SDK) available; ONVIF compliant
GPS Position	Manual setting
Firmware Access Browser	Microsoft Internet Explorer 11

\* All specifications are subject to change without notice.

\* All brand names and registered trademarks are the property of their respective owners.

[www.acti.com](http://www.acti.com)

