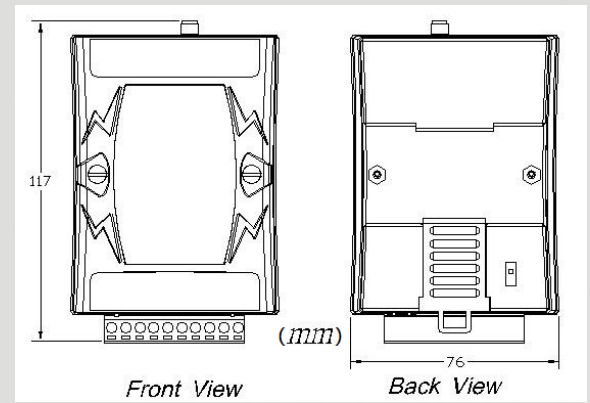




## Industrial CAN to Wi-Fi Converter



I-7540D-WF



Dimensions

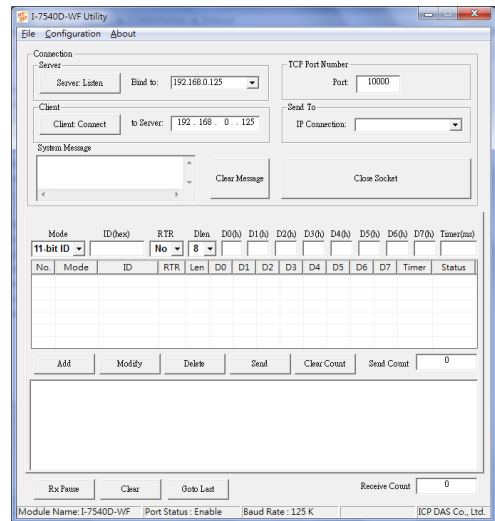
The I-7540D-WF supports the wireless transmission of CAN data between a CAN network and a WLAN network according to the 802.11b/g standard. The I-7540D-WF is highly suitable for connecting mobile (e.g., vehicles or machines) or stationary CAN networks and is often used for short ranges up to 100 m. There are two operating modes in the I-7540D-WF. In the access point mode, the data connection takes place over one or several WLAN access points that are often part of the company's internal IT infrastructure. In the ad-hoc mode, a direct connection is established between a single I-7540D-WF device and a PC or laptop (with an integrated WLAN interface), or with a second I-7540D-WF device.

## Features

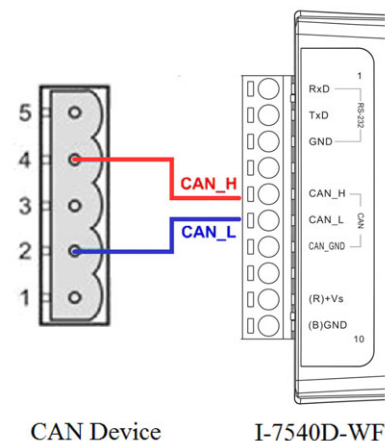
- IEEE 802.11b/g compliant
- Wireless data transmission via WLAN
- Two different operation modes: infrastructure and ad-hoc
- Point to point or point to multi-points connection via wireless LAN
- Supports WEP, WPA and WPA2 encryption for wireless LAN
- CAN 2.0A/2.0B compliant
- Communication efficiency: one-way is up to 700 fps (client->server, server->client) , two-way 350 fps (client<=>server)
- Wireless transmission distance: up to 100 meters

## Utility Features

- IP , Gateway and Mask configuration.
- CAN bus baud rate configuration.
- Provide wireless LAN configuration interface.
- Provide encryption configuration for wireless LAN
- Utility tool for transmitting / receiving CAN messages



## Wire Assignments



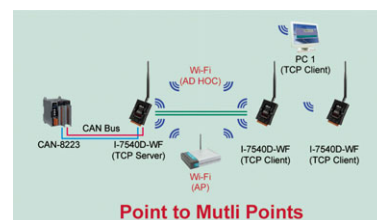
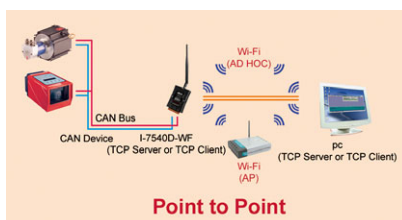
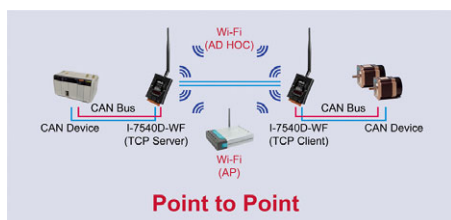
CAN Device

I-7540D-WF

## Hardware Specifications

CAN Interface	
Controller	CAN Controller inside
Transceiver	NXP 82C250
Channels	1
Connector	10-pin screw terminal connector
Baud Rate (bps)	5K ~ 1Mbps
Isolation	3000 V <sub>DC</sub> power protection on CAN side, 2500Vrms photo-couple isolation on CAN bus
Terminator Resistor	Selectable 120Ω terminator resistor by jumper
Specification	ISO-11898-2, CAN 2.0A and CAN 2.0B
Max Data Flow	700 fps(peak value, one-way)
UART Interface	
Connector	10-pin screw terminal connector
COM1	RS-232(TXD, RXD, GND)
Baud Rate (bps)	115200
Wi-Fi Interface	
Antenna	5 dBi (Omni-Directional)
Standard Supported	IEEE 802.11b/g
Operation Mode	Infrastructure & Ad-hoc
Encryption	WEP, WPA and WPA2
Frequency Ranges	2.412GHz ~ 2.484GHz
Transmission distance	Up to 100 meters
LED	
Round LED	PWR / Wi-Fi / CAN / CNT / WLAN
Power	
Power supply	+10 ~ +30 V <sub>DC</sub>
Protection	Reverse polarity protection, Over voltage protection, Over current protection
Power Consumption	1.5 W
Mechanism	
Installation	DIN-Rail
Dimensions	117mm x 76mm x 37mm (H x W x D)
Environment	
Operating Temp.	-25 ~ 75 °C
Storage Temp.	-30 ~ 80 °C
Humidity	10 ~ 90% RH, non-condensing

## Application



## Ordering Information

**I-7540D-WF CR**

CAN to Wi-Fi Converter (RoHS)