

# B911

## 3MP Video Analytics Outdoor Mini PTZ, with D/N, Extreme WDR, SLLS, 10x Zoom Lens



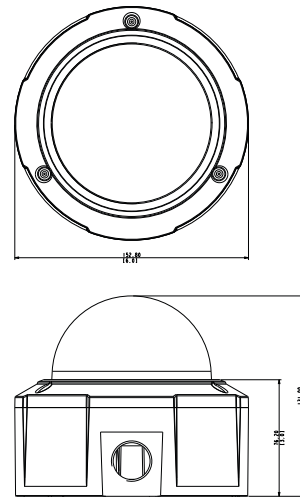
- 3 Megapixel
- Day & Night with Superior Low Light Sensitivity
- 10x Zoom Lens with f4.7 mm ~ f47 mm, F1.6 ~ F3.0 with Auto Focus
- Extreme WDR (145 dB)
- 60 fps at 1920 x 1080
- Weatherproof (IP67) and Vandal Proof (IK10)
- Built-in Analytics

### PHOTO INDICATION



- ① Ethernet Port
- ② DC12V Power Input
- ③ Audio Input / Output and Digital Input / Output
- ④ Reset Button
- ⑤ Memory Card Slot

### DIMENSION DIAGRAM



Unit: mm [inch]

### ACCESSORY OPTIONS

Power Supply		
PPOE-0001		IEEE 802.3af PoE Injector for Class 1, 2 or 3 devices, with universal adapter
PPBX-0011		Power Adapter AC 100-240V with universal connectors for all DC12V powered devices

Popular Mounting Solutions		
Surface	Accessories not required	
Wall	PMAX-0314	
Pendant	PMAX-0101 PMAX-0103	
Corner	PMAX-0314 PMAX-0402	
Pole	PMAX-0314 PMAX-0503	
Gang Box	PMAX-0804	

\* For more mounting solutions, please refer to Mounting Accessory Selector on [www.acti.com](http://www.acti.com)

**PRODUCT SPECIFICATION****• Device**

Device Type	Mini PTZ
Image Sensor	Progressive Scan CMOS
Sensor Size	1/2.8"
Effective Pixels	2065 (H) x 1553 (V) (3.21 MP)
Day / Night	Yes
Low Light Sensitivity	Superior
Minimum Illumination	Color: 0.05 lux at F1.6, B/W: 0.5 lux at F1.6
Color to B/W Switch	ISP based switch, configurable
Mechanical IR Cut Filter	Yes
IR Sensitivity Range	700 ~ 1100nm
IR LED	No
Electronic Shutter	1/5" ~ 1/64000" (manual mode) 1/5" ~ 1/64000" (auto mode)
Horizontal Resolution	1450 TVL
S/N Ratio	56 dB

**• Lens**

Focal Length / Aperture	Zoom, f4.7 ~ f47 mm / F1.6 ~ F3.0
Iris	DC Iris
Focus	Auto Focus
Zoom Application	Camera Installation, Auto Zoom by Event, Manual Operation
Lens Mount	Board Mount
Horizontal Viewing Angle	58° ~ 5.8°
Vertical Viewing Angle	45.3° ~ 5°

**• PTZ**

Panning Range	-175° ~ 175°
Tilting Range	0° ~ 180°
Pan, Tilt, or Zoom Protocol	Visca, Pelco-D, Pelco-P, ACTi URL command

**• Video**

Compression	H.265, H.264 (Baseline / Main / High profile), MJPEG
Max. Frame Rate vs. Resolution	30 fps at 2048 x 1536 60 fps at 1920 x 1080 30 fps at 1280 x 960 60 fps at 1280 x 720 30 fps at 800 x 600 30 fps at 640 x 480 30 fps at 320 x 240
Multi-Streaming	Simultaneous triple streams based on video configurations
Bit Rate	128 Kbps ~ 12 Mbps (per stream)
Bit Rate Mode	Constant, Variable
Image Enhancement	Extreme WDR (145 dB), White Balance, Brightness, Contrast, Saturation, Sharpness, Automatic gain control, Flickerless, Digital Image Stabilizer, Defogging, 2D + 3D Digital Noise Reduction
Privacy Mask	32 Configurable 3D Privacy Masks
Text Overlay	User Defined Text on Video
Built-in Analytics	Object Based Motion Detection, Tampering Detection, Shock Detection
Image Orientation	Flip, Mirror

**• Audio**

Compression	8kHz, Mono, PCM, 16 bit encoding, G.711
Audio Type	2-way, Mic-in, Line-in, Line-out
Audio-In	Terminal Block
Audio-Out	Terminal Block

**• Network**

Protocol & Service	IPv4/v6, TCP, UDP, DHCP, PPPoE, HTTP, HTTPS, DNS, DDNS, NTP, RTP, RTSP, RTCP, SMTP, FTP, IGMP, ICMP, ARP, Bonjour, UPnP, QoS, SNMP, IEEE 802.1X
Ethernet Port	1 x RJ-45 connector
Security	IP address filtering, HTTPS encryption, Password protected user level, Anonymous login, IEEE 802.1X network access control

**• Alarm**

Alarm Trigger	Video Motion Detection (10 regions), External Device through Digital Input, Sound Detection, Shock Detection, Tampering Detection
Alarm Response	Notify control center, Go to PTZ preset point or preset tour, Change camera settings, Command other devices, E-mail notification with snapshots, Push notification to mobile device, Save video to local storage, Upload video to NVR server, Upload video or snapshot to FTP server, Activate external device through digital output

**• Interface**

Digital Input	1, Terminal block
Digital Output	1, Terminal block
Local Storage	MicroSDHC, MicroSDXC memory card slot (card not included)

**• General**

Power Source	PoE Class 3 (IEEE802.3af) DC 12V (adapter not included)
Power Consumption	12.95 W (PoE)
Environmental Casing	Weatherproof (IP67), Vandal Proof (IK10)
Mount Type	Surface, Wall Mount, Pendant, Pole Mount, Flush, Corner Mount, Gang box
Starting Temperature	-30°C ~ 60°C (-22°F ~ 140°F)
Operating Temperature	-40°C ~ 60°C (-40°F ~ 140°F)
Operating Humidity	10% ~ 85% RH
Approvals	CE, FCC, IP67, IK10, NEMA 4X, UL (for optional power adapter)

**• Integration**

Unified Solution	Fully compatible with ACTi software
ISV Integration	Software Development Kit (SDK) available; ONVIF compliant (Profile S, Profile G)
Firmware Access Browser	Microsoft Internet Explorer 11
Auto Firmware Upgrade	Yes
GPS Position	Manual Setting