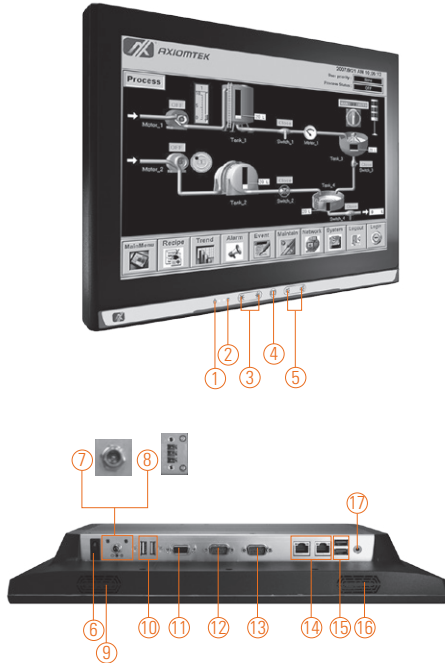


GOT5153W-834

15.6" WXGA TFT Fanless Touch Panel
Computer with Intel® Celeron® Processor
J1900 (up to 2.42 GHz)

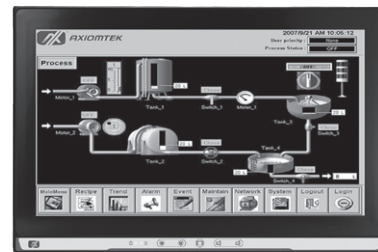
NEW



- | | | |
|----------------------|------------------------------------|---------------------------|
| 1. Power LED | 6. Power switch (ATX) | 12. COM 1(RS-232/422/485) |
| 2. HDD LED | 7. Power input connector (Screw) | 13. COM 2(RS-232/422/485) |
| 3. Brightness adjust | 8. Power input connector (Phoenix) | 14. Ethernet x 2 |
| 4. Display on/off | 9. Speaker | 15. USB 3.0 x 2 |
| 5. Volume adjust | 10. USB 2.0 x 2 | 16. Speaker |
| | 11. VGA | 17. Audio (Line-out) |

Features

- 15.6" WXGA wide screen TFT LCD display
- 15.6" projected capacitive touch or 5-wire flat resistive touch
- Fanless design with Intel® Celeron® processor J1900 4 cores (up to 2.42 GHz)
- Supports 2.5" SATA HDD & CFast™ or mSATA
- Supports 2 Gigabit LAN, 4 USB and 2 COM ports
- IP65 front bezel and IPX1 full enclosure
- Supports optional VESA arm/desktop stand/wall mount
- Supports RFID or smart card reader (optional)



▲ CFast™ cover



Introduction

The GOT5153W-834 is a 15.6" Intel® Celeron® based fanless touch panel computer. In response to market demand, this panel computer is a cost effective solution. It adopts a modern, sleek and fanless design and is equipped with a 15.6" TFT LCD as well as Intel® Celeron® processor J1900 4 cores up to 2.42 GHz. For wireless network connection, the GOT5153W-834 offers 2 mini card slots. By just plugging in a mini card WLAN card, customers can have instant access to wireless LAN/GPRS/GSM/4G environments. Besides, it provides two types of power input. One is DC power input (9-36VDC) with terminal block connector. The other is AC power adapter with screw type connector.

Super slim & ultra light design

The GOT5153W-834 is slim and light weight which make it fit for limited space installation.

Built-in internal WLAN antenna

The GOT5153W-834 provides 2 mini card slots and a built-in WLAN antenna for wireless network connections. By simply plugging in the wireless LAN card, customers can use the GOT5153W-834 in wireless LAN/GPRS/GPS/4G environment.

Support front membrane keys

The GOT5153W-834 provides 5 membrane keys in front of system, people can adjust the system display, volume and brightness.

Specifications

Front Bezel	IP65 front bezel	
LCD Panel	Display Type	15.6" WXGA TFT LCD
	Brightness (cd/m ²)	300 nits
	Resolution	1366 x 768
Main System	CPU	Intel® Celeron® Processor J1900 4 cores (up to 2.42 GHz)
	System Memory	1 x 204-pin DDR3L SO-DIMM max. up to 8 GB
	BIOS	AMI UEFI BIOS
	Storage	1 x 2.5" SATA HDD 1 x CFast™ or mSATA
	Watchdog Timer	255 levels, 0-255 sec.
	Onboard Graphics	Integrated Intel® HD GFX

* All specifications and photos are subject to change without notice.



Specifications

I/O Connector	2 x RS-232/422/485 1 x Switch for power on/off (ATX) 2 x USB 2.0 (optional) 2 x USB 3.0 1 x VGA 1 x Audio (Line-out) 2 x 10/100/1000Mbps Ethernet (w/Intel® i210IT)
Expansion Interface	1 x Full-Size Mini PCI Express Mini Card with mSATA supported 1 x Full-Size Mini PCI Express Mini Card with SIM Slot
Touchscreen	Projected Capacitive multi-touch 5-wire flat resistive touch
Power Supply	9-36VDC 12VDC w/60W AC-DC adapter
Dimensions	394.2 mm (15.53") (W) x 57 mm (2.25") (D) x 257.2 mm (10.13") (H)
Packing Dimensions	510 mm (20.09") x 190 mm (7.48") x 540 mm (21.26")
Weight (net/gross)	3.0 kg (6.61 lb)/ 4.5 kg (9.92 lb)
Environment	Operating temperature: 0°C ~ +45°C (32°F ~ +113°F) Storage Temperature: -20°C ~ +60°C (-4°F ~ +140°F) Relative humidity: 20% ~ 90% @ 40°C; non-condensing Operation vibration: 2 G, 10 ~ 500Hz, random for CFast™
Certification	CE

* W.T.: Wide Temperature. All W.T. supported products have to be sorted by Axiomtek.

Ordering Information

GOT5153W-834-PCT-J	15.6" WXGA Intel® Celeron® processor J1900 4 cores fanless touch panel computer, project capacitive multi-touch with screw type connector & AC-DC 60W power adapter, EMI class B.
GOT5153W-834-FR-J	15.6" WXGA Intel® Celeron® processor J1900 4 cores fanless touch panel computer, 5-wire flat resistive touch with screw type connector & AC-DC 60W power adapter, EMI class B.
GOT5153W-834-PCT-DC	15.6" WXGA Intel® Celeron® processor J1900 4 cores fanless touch panel computer, project capacitive multi-touch with terminal block connector
GOT5153W-834-FR-DC	15.6" WXGA Intel® Celeron® processor J1900 4 cores fanless touch panel computer, 5-wire flat resistive touch with terminal block connector

Optional EOS Installation

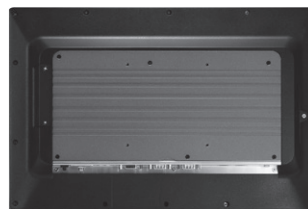
WES7

WEBS

Optional OS Installation

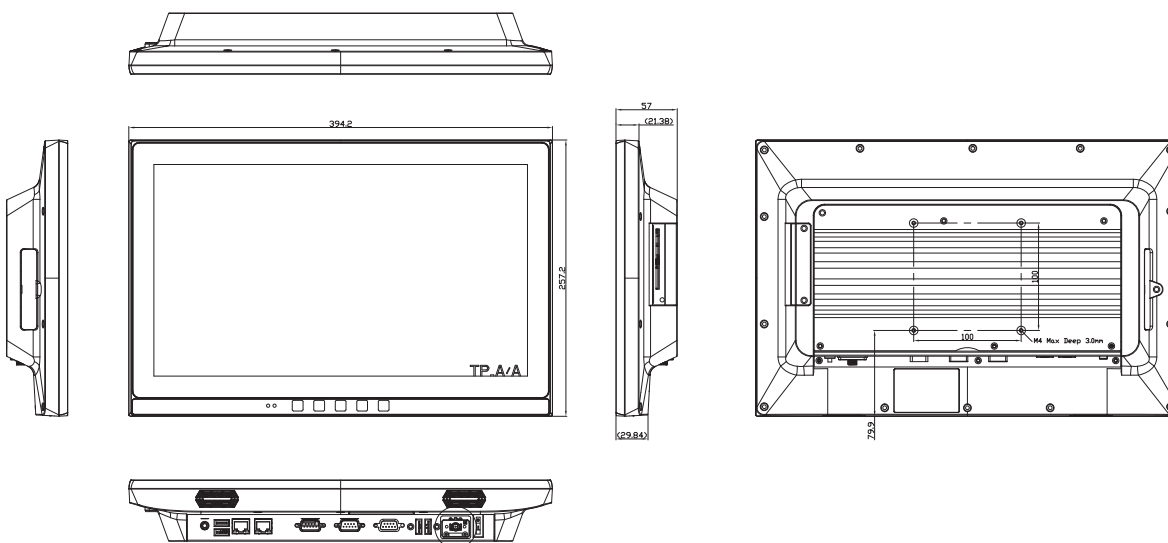
Windows® 7

Windows® 8.1



▲ Rear view

Dimensions



Phoenix plug For-DC version



Din-Jack For AC version

