

USM-260

7th/6th Generation Intel® Desktop Series Multiple Functional Box PC



Features

- Embedded Intel® 7th/6th Generation Kaby Lake/Skylake desktop 35W Core™ i7/i5/i3, Pentium® and Celeron® processors
- Compact Design for space saving
- Easy access to dual 2.5" HDD/SSD tray in front cover
- Dual Display: DP+HDMI or DP+VGA or HDMI+VGA
- Multiple IO with up to 8 x USB, 2 x LAN, 4 x COM is suitable for variety of application requests
- Easy/quick installation for expansion parts (Mini PCIe) and RAM and mSATA
- Flexibility for mounting : VESA, Wall/Desk



Introduction

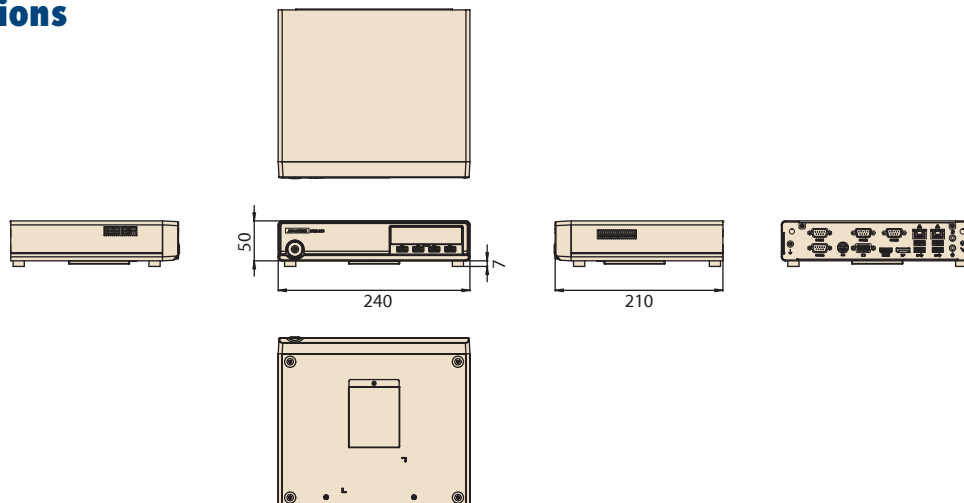
USM-260 is an intelligent multi-functional box PC equipped with the 7th/6th generation Intel desktop processor. The system's compact design and multiple IO interface support to integrate in diverse peripherals and various application solutions that targeted at a wide range of applications (eg. Self-service system, POS system, Digital Signage Player, Edge Computing, AI and so on) in semi-industrial, retail and hospital markets.

Specifications

Processor	Intel 7th Generation CPU	Core i3-7101TE	Core i5-7500T	Core i7-7700T		
	Max Speed	3.4G	3.3G	3.8G		
	Intel 6th Generation CPU	Celeron G3900TE	Pentium G4400TE	Core i3-6100TE	Core i5-6500TE	Core i7-6700TE
	Max Speed	2.3G	2.4G	2.7G	3.3G	3.4G
	TDP	35W(With Smart Fan)				
Memory	Chipset	H110				
	Technology	Dual channel DDR4 2133 MHz SDRAM (Non-ECC)				
	Max Capacity	Up to 32GB (16GB per S0-DIMM)				
Storage	Socket	2 x 260-pin S0-DIMM				
	SATA 3.0	2				
Graphic	mSATA	1 (by Mini card slot support)				
	Capacity	Integrated Intel® HD Graphics 530				
	HDMI	Max. resolution 4096 x 2160 @ 24 Hz (HDMI 1.4)				
	Display Port	Max. resolution 4096 x 2160 @ 60Hz				
	VGA	Max. resolution 1920 x 1200 @ 60 Hz				
Ethernet	Dual Display	DP+HDMI, DP+VGA, HDMI+VGA				
	Interface	10/100/1000 Mbps				
Audio	Controller	Realtek RTL8111G GbE LAN				
	Interface	ALC662				
Front IO	USB2.0	0 (Optional 4xUSB)				
	HDD Slot	1 (Optional 2 Slots)				
Rear IO	VGA	1				
	HDMI	1				
	Display Port	1				
	RJ-45	2				
	USB3.0	4				
	Serial	2 (Optional 4 x COM) COM2,COM3,COM4 support RS-232 with selectable RI/ 5V/ 12V power, COM1 support RS-232/485with selectable RI/ 5V/ 12V power				
	Audio	1 x Line-out, 1 x Mic-in				
	DC Jack	1				
Expansion	Mini PCIe	1 F/S miniPCIe slot support mSATA; 1 H/S miniPCIe slot support PCIe/USB device				
	Color	Black				
MISCELLANEOUS	Dimension	240 x 210 x 57mm(L x W x H)				
	Power	19V, 90W				
Mounting Mode	ACCESSORIES	VESA, Wall Mounting, Desktop				
Software	OS	WES7P, Win10, POSReady7				
Environment	Operating Temperature	HDD: 0~40 °C, SSD: 0 ~ 50 °C				
	Storage Temperature	-40 ~ 85 °C (-40 ~ 185 °F)				
	Relative Humidity	90% @ 40 °C (non-condensing)				
	Vibration during operation	With HDD:0.5Grms, IEC 60068-2-64, random 5-500HZ, 3 axes, 1hr/axis				
Certification	Shock during operation	With HDD:10 G, IEC 60068-2-27, half sine, 11 ms duration				
		CCC/BSMI/CE/FCC/UL/CB				

Dimensions

Unit: mm



Fully- Integrated I/O



Ordering Information

PN	Description	Front Panel					Rear Panel			
		USB2.0	HDD/SSD Slots	DP	HDMI	VGA	LAN	USB3.0	COM	Audio
USM-260F-BST00	Intel Skylake LGA1151 Desktop Platform Mini BOX PC w/o CPU and RAM and Storage, Standard Version	0	1	1	1	1	2	4	2	2
USM-260F-BFL00	Intel Skylake LGA1151 Desktop Platform Mini BOX PC w/o CPU and RAM and Storage, Full Version	4	2	1	1	1	2	4	4	2

Accessory

Accessory	PN	Description
CPU	96MPI3K-3.4-3M11T	CORE 3.4G 3M 1151P 2CORE I3-7101TE
	96MPI5K-2.7-6M11T	CORE 2.7G 6M 1151P 4CORE I5-7500T
	96MPI7K-2.9-8M11T	CORE 2.9G 8M 1151P 4CORE I7-7700T
	96MPCLS-2.3-2M11T	CELERON 2.3G 2M 1151P G3900TE
	96MPPS-2.4-3M11T	PENTIUM 2.4G 3M 1151P 2 CORE G4400TE
	96MPI3S-2.7-4M11T	CORE 2.7G 4M 1151P 2 CORE I3-6100TE
RAM	96MPI5S-2.3-6M11T1	CORE 2.3G 6M 1151P 4 CORE I5-6500TE
	96MPI7S-2.4-8M11T1	CORE 2.4G 8M 1151P 4 CORE I7-6700TE
	A0D-SD4U4GN24-SG	4G, DDR4 260 PIN 2400 Mhz SODIMM
	A0D-SD4U8GN24-SE	8G, DDR4 260 PIN 2400 Mhz SODIMM
	A0D-SD4U16GN24-HE	16G, DDR4 260 PIN 2400 Mhz SODIMM
	S0F-S25M4-64G-S9C	S0F 2.5" SSD 630 64G MLC (0-70°C)
Storage	S0F-S25M4-128G-S9C	S0F 2.5" SSD 630 128G MLC (0-70°C)
	S0F-S25M4-256G-S9C	S0F 2.5" SATA SSD 630 256 MLC (0-70°C)
	S0F-S25V2-128G-S8C	S0F 2.5" SATA SSD 640 128G BiCS3 3D NAND (0-70°C)
	S0F-S25V4-256G-S8C	S0F 2.5" SATA SSD 640 256G BiCS3 3D NAND (0-70°C)
	96ND500G-ST-SG5KA1	SEAGATE 500G 2.5" SATAIII 5KRPM 16M(G)24*7
	S0F-SMSM4-64G-S9C	S0F MSATA 630 64G MLC (0-70°C)
	S0F-SMSM4-32G-S9C	S0F MSATA 630 32G MLC (0-70°C)
	EWM-W135H01E	802.11 a/b/g/n, Atheros AR9382, 2T2R
	1750007465-01*2	Antenna Cable SMA(FR)/Mini coaxia L30cm
	1750008717-01*2	Dipole Ant. D B 2.4/5G WiFi 3dBi SMA/M-R BLK(outer antenna)
Wi-Fi Module	EWM-W168H01E	RTL8822BE-CG 802.11 a/b/g/n/ac WiFi with Bluetooth 4.2 combo, 2T2R
	1750007965-01*2	Antenna Cable R/P SMA (M) to MHF4, 300mm
Power Cord	1750008717-01*2	Dipole Ant. D B 2.4/5G WiFi 3dBi SMA/M-R BLK(outer antenna)
	96CB-POWER-B-1.8MB	RWD 75 Black/CL 1.8M(CCC)
	1700001524	3P UL 10A 125V 180cm(American)
	170203183C	3P EU (WS-010-083) 183CM(European)
	1700018553	Power Cord SAA 3P 2.5A 250V 183cm(Australia)
	1700025113-11	Power Cord ISI 3P 2.5A 250V 180cm(India)
	1700018409	Power Cord KCC 2P 2.5A 250V 183cm(Korea,Russia)
	1700024849-01	Power Cord BSMI 3P 2.5A 125V 180cm(Taiwan)
	170203180A	Power Cord BSI 3P 2.5A 250V 183cm(UK)
	1700008921	3P 1.8M PSE 7A 125V(Japan)
Windows OS	20706W5R7S0002	img PR7 USM-260 64b V1.0 ENU
	20706W7P50013	img WES7P USM-260 64b 1709 10 MUI
	20706WX9ES0018	img W10 19EL USM-260 64b 1809 ENU for Celeron/Pentium
	20706WX9VS0016	img W10 19VL USM-260 64b 1809 ENU for Core i3/i5
	20706WX9HS0013	img W10 19HL USM-260 64b 1809 ENU for Core i7