

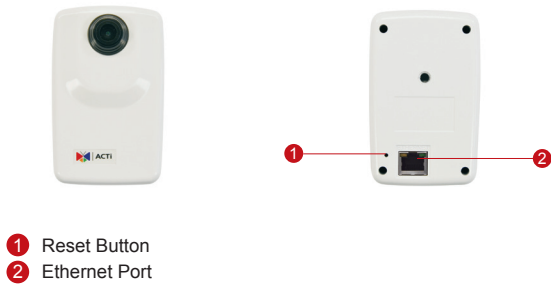
D12

3MP Cube with Fixed Lens



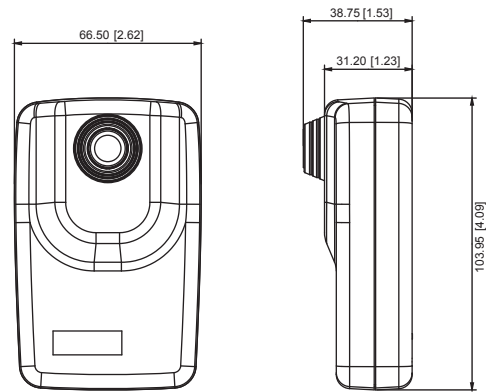
- 3 Megapixel with 1080p
- Wide Angle Fixed Lens with f3.6mm/ F2.0
- 30 fps at 1920 x 1080

PHOTO INDICATION





- 1 Reset Button
- 2 Ethernet Port

DIMENSION DIAGRAM



Unit: mm [inch]

Lens		
PLEN-0129		Fixed Iris, F2.0, f2.93 mm, 81°
PLEN-4101		Fixed Iris, F2.8, f1.9 mm, 129° (overview area), 78.7° (high detail area)

PRODUCT SPECIFICATION

D12

• Device

Device Type	Cube Camera
Image Sensor	Progressive Scan CMOS
Sensor Size	1/3.2"
Day / Night	No
Superior Low Light Sensitivity	No
Minimum Illumination	Color: 0.1 lux at F2.0 (30 IRE, 2400 °K)
Mechanical IR Cut Filter	No
IR Sensitivity Range	No
Electronic Shutter	1/5 ~ 1/2,000 sec (manual mode); 1/5 ~ 1/10,000 sec (auto mode)

• Lens

Focal Length / Aperture	Fixed focal, f3.6 mm / F2.0
Iris	Fixed iris
Focus	Fixed focus
Mount Type	Board mount
Horizontal Viewing Angle	70.8°

• Video

Compression	H.264 HP, MJPEG
Max. Frame Rate vs. Resolution	15 fps at 2048 x 1536; 30 fps at 1920 x 1080; 30 fps at 1280 x 720; 30 fps at 640 x 480; 15 fps at 320x240
Multi-Streaming	Simultaneous dual streams based on two configurations
Bit Rate	28 Kbps - 6 Mbps (per stream)
Bit Rate Mode	Constant, Variable
Image Enhancement	White balance: automatic, hold, and manual; Brightness; Contrast; Sharpness(auto); Auto gain control; Digital noise reduction; Flickerless
Privacy Mask	4 configurable regions
Text Overlay	User defined text on video
Image Orientation	Image flip and mirror

• Network

Protocol & Service	TCP, UDP, HTTP, HTTPS, DHCP, PPPoE, RTP, RTSP, IPv6, DNS, DDNS, NTP, ICMP, ARP, IGMP, SMTP, FTP, UPnP, SNMP, Bonjour
Ethernet Port	1, Ethernet (10/100 Base-T), RJ-45 connector
Security	IP address filtering; HTTPs encryption; Password protected user levels; Anonymous login; IEEE802.1X network access control

• Alarm

Alarm Trigger	Video motion detection (3 regions)
Alarm Response	Notify control center; Change camera settings; Command other devices; E-mail notification with snapshots; Upload video, Snapshot to FTP server

• General

Power Source / Consumption	PoE Class 2 (IEEE802.3af) / 3.7 W
Weight	140 g (0.31 lb)
Dimensions (W x H x D)	66.50 mm x 103.95mm x 38.75mm (2.62" x 4.09" x 1.53")
Bundled Accessories	Bracket
Mount Type	Wall, Ceiling
Starting Temperature	-10 °C ~ 45 °C (14 °F ~ 113 °F)
Operating Temperature	-10 °C ~ 45 °C (14 °F ~ 113 °F)
Operating Humidity	10% ~ 85% RH
Approvals	CE (EN 55022 Class B, EN 55024), FCC (Part15 Subpart B Class B)

• Integration

Unified Solution	Fully compatible with ACTi software
ISV Integration	Software Development Kit (SDK) available; ONVIF compliant
Firmware Access Browser	Microsoft Internet Explorer 8.0 or newer (full functionality) Safari with QuickTime installed, and other browsers with VLC installed (partial functionality)