



**I-87024**



**I-87024-G**

4-ch, 14-bit Non-isolated AO Module

**Features**

- Current Output or Voltage Output
- Power-on Value
- Safe Value
- 3000 V<sub>DC</sub> Intra-module Isolation



**Introduction**

The I-87024 is a 4-channel analog output module that provides either current or voltage output. There are options to set Power-on and safe values. The I-87024 also features 3000 V<sub>DC</sub> intra-module isolation.

**Applications**

- Building Automation
- Factory Automation
- Machine Automation
- Remote Maintenance
- Remote Diagnosis
- Testing Equipment

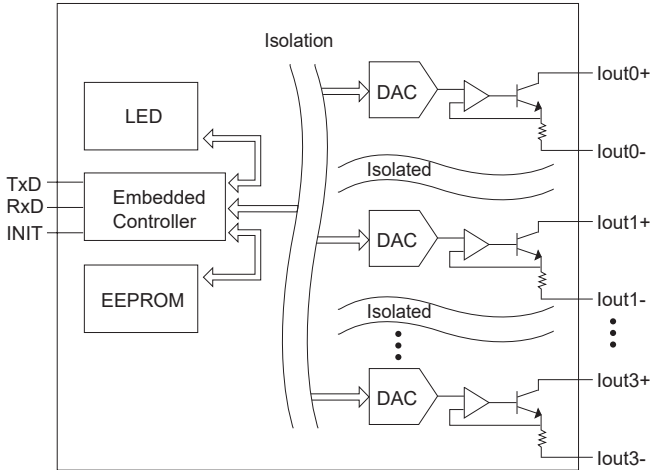
**System Specifications**

CPU Module	
Watchdog Timer	Yes, Module (1.6 Seconds), Communication (Programmable)
Isolation	
Intra-module Isolation	3000 V <sub>DC</sub>
LED Indicators	
Status	1 x Power and Communication
COM Ports	
Baud Rate	115200 bps
Data Format	N, 8, 1
Protocol	DCON
Power	
Power Consumption	1.1 W Max.
Mechanical	
Dimensions (W x L x H)	31 mm x 116 mm x 88 mm
Environment	
Operating Temperature	-25 ~ +75 °C
Storage Temperature	-30 ~ +75 °C
Humidity	5 ~ 95% RH, Non-condensing

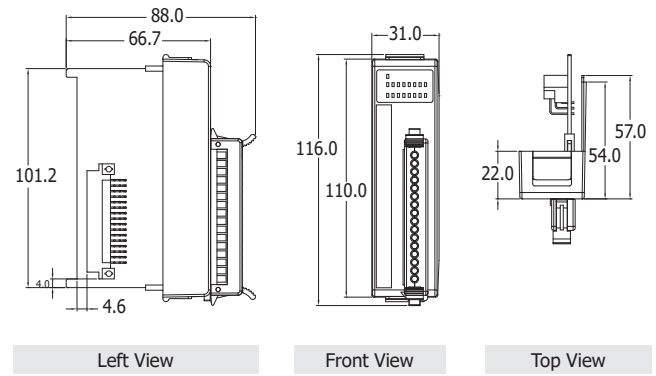
**I/O Specifications**

Analog Output		
Channels	4	
Type	Voltage Current	
Range	0 ~ +5 V <sub>DC</sub> , ±5 V <sub>DC</sub> , 0 ~ +10 V <sub>DC</sub> , ±10 V <sub>DC</sub> , 0 ~ +20 mA, +4 ~ +20 mA	
Resolution	14-bit	
Accuracy	±0.1% of FSR	
Short Circuit Protection	Yes	
DA Output Response Time	10 ms per channel	
Programmable Output Slope	Voltage	0.0625 ~ 1024 V/Second
	Current	0.125 ~ 2048 mA/Second
Current Load Resistance	External +24 V <sub>DC</sub> @ 1050 Ω	
Power-on Value	Yes	
Safe Value	Yes	

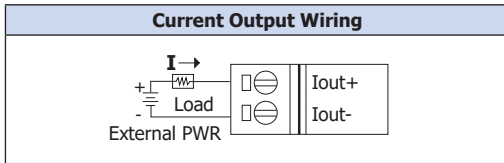
## Internal I/O Structure



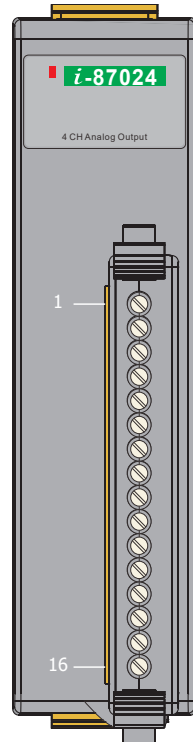
## Dimensions (Units: mm)



## Wire Connections



## Pin Assignments



Terminal No.	Pin Assignment
01	Iout 0
02	AGND
03	Iout 1
04	AGND
05	Iout 2
06	AGND
07	Iout 3
08	AGND
09	Vout 0
10	AGND
11	Vout 1
12	AGND
13	Vout 2
14	AGND
15	Vout 3
16	AGND

## Ordering Information

<b>I-87024 CR</b>	4-ch, 14-bit Non-isolated AO Module (Blue Cover) (RoHS)
<b>I-87024-G CR</b>	4-ch, 14-bit Non-isolated AO Module (Gray Cover) (RoHS)