

XV111/XV111A

16-channel Isolated Digital Output Module

Features

- XV111
 - Sink-type Digital Output
- XV111A
 - Source-type Digital Output
- Photocouple Isolation
- Configurable Power-on Value Settings
- Configurable Safe Value Settings
- Wide Operating Temperature Range: -25 ~ + 75°C



Introduction

The XV111 provides 16 channels for digital output, each of which features photocouple isolation. The XV111 supports sink-type output with short circuit protection and provides options for configuring power-on and safe digital output values. 4 kV ESD protection and 3750 Vdc intra-module isolation are also provided. The XV111A has the same specifications as the XV111, except that the output types are reversed.

Applications

- Industrial Automation
- Building Automation
- Food and Beverage Systems
- Control Systems

Pin Assignments

DO.GND	DO15	DO14	DO13	DO12	DO11	DO10	DO9	DO8	DO7	DO6	DO5	DO4	DO3	DO2	DO1	DO0
DO.PWR																

XV111 / XV111A

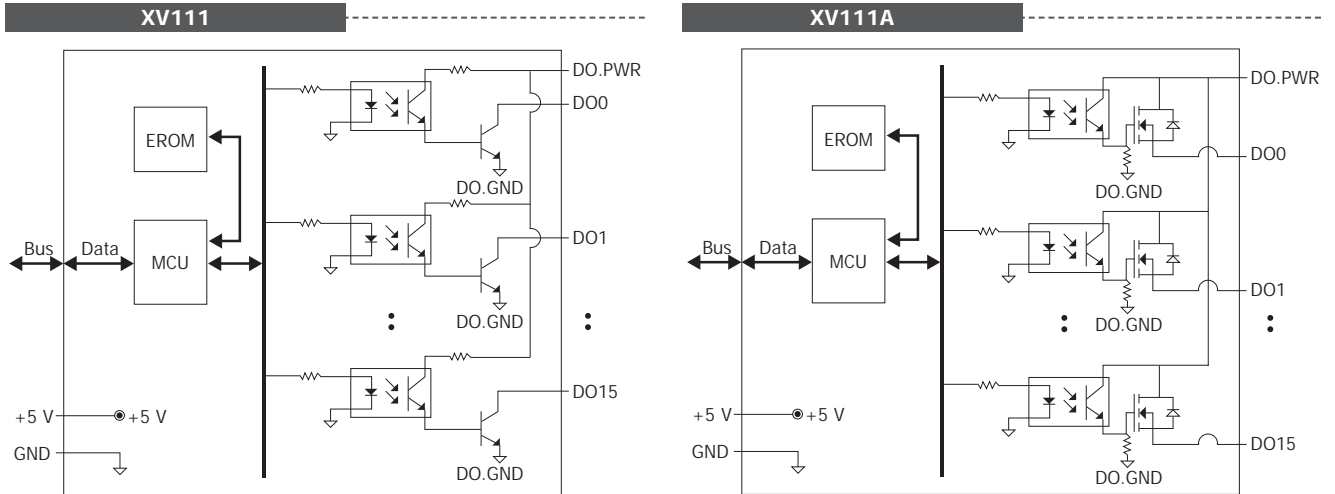
System Specifications

Model	XV111	XV111A
Communication		
Interface	RS-232/TTL	
Format	N, 8, 1	
Baud Rate	115200 bps	
Protocol	Modbus/RTU	
Dual Watchdog	Yes, Module (2.3 seconds), Communication (Programmable)	
Isolation		
Intra-module Isolation, Field-to-Logic	3750 Vdc	
EMS Protection		
ESD (IEC 61000-4-2)	+/-4kV Contact For Each Terminal	
	+/-8kV Air For Random Terminal	
Reverse Polarity Protection	-	
Powered from Terminal Block	5 Vdc	
Consumption	0.2 W Max.	0.8 W Max.
Mechanical		
Dimensions (W x L x H)	59 mm x 82 mm x 13 mm	
Environment		
Operating Temperature	-25 ~ +75°C	
Storage Temperature	-30 ~ +80°C	
Humidity	10 ~ 95% RH, Non-condensing	

I/O Specifications

Model	XV111	XV111A
Digital Output		
Output Channels	16	
Type	Sink	Source
Max. Load Current	600 mA/channel	
Load Voltage	3.5 ~ 50 Vdc	10 ~40 Vdc
Overvoltage Protection	60 Vdc	47 Vdc
Overload Protection	Yes	
Short-circuit Protection	Yes	
Power-on Value	Yes, Programmable	
Safe Value	Yes, Programmable	

Internal I/O Structure



Wire Connections

XV111		
Output Type	Readback as 1	Readback as 0
Drive Relay		
Resistance Load		

XV111A		
Output Type	Readback as 1	Readback as 0
Drive Relay		
Resistance Load		

Ordering Information

XV111 CR	16-channel Isolated Sink-type Digital Output Module (RoHS)
XV111A CR	16-channel Isolated Source-type Digital Output Module (RoHS)