

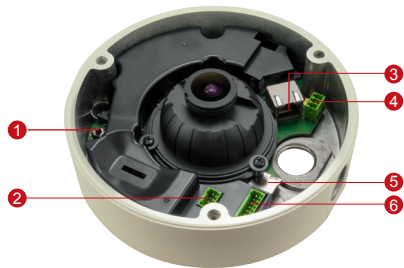
I73

6MP Outdoor Hemispheric Dome with D/N, Advanced WDR, ELLS, ePTZ, Fisheye Lens



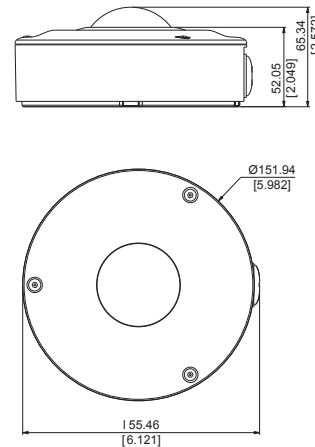
- 6 Megapixel with 1080p
- Day & Night with Extreme Low Light Sensitivity
- Fisheye Lens with f1.3mm / F2.6
- Advanced WDR (80 dB)
- 10 fps at 3072 x 2048
- 180/360° Panorama View with Dewarped Streaming
- Weatherproof (IP68) and Vandal Proof (IK10)

PHOTO INDICATION



- | | |
|------------------------|--------------------------|
| 1 Reset Button | 4 DC 12V Power Input |
| 2 Audio Input / Output | 5 Memory Card Slot |
| 3 Ethernet Port | 6 Digital Input / Output |

DIMENSION DIAGRAM



Unit: mm [inch]

ACCESSORY OPTIONS

Dome Cover		
PDCX-1110		Vandal Proof Smoked Dome Cover for I7x

Power Supply		
PPOE-0001		PoE Injector IEEE 802.3af compliant, AC 100-240V, with universal connectors
PPBX-0002		AC 100-240V to DC 12V power adapter with universal connector

Popular Mounting Solutions		
Surface	No accessory required	
Wall	PMAX-0330	
Pendant	PMAX-0101 PMAX-0103	
Corner	PMAX-0330 PMAX-0402	
Pole	PMAX-0330 PMAX-0504	
Gang box	PMAX-0804	

* For more mounting solutions, please refer to Mounting Accessory Selector on www.acti.com

PRODUCT SPECIFICATION

I73

• Device

Product Type	Outdoor Hemispheric Dome
Image Sensor	Progressive Scan CMOS
Sensor Size	1/1.8"
Effective Pixels	3096 (H) x 2080 (V) (6.44 MP)
Horizontal Resolution	2000 TVL
Day / Night	Yes
Low Light Sensitivity	Extreme
Minimum Illumination	Color: 0.1 lux at F2.6 (30 IRE, 2400°K); B/W: 0.05 lux at F2.6 (30 IRE, 2400°K)
Color to B/W Switch	ISP based switch, configurable
Mechanical IR Cut Filter	Yes
IR Sensitivity Range	700 - 1100nm
IR LED	No
Electronic Shutter	1/5 ~ 1/2,000 sec (manual mode); 1/5 ~ 1/10,000 sec (auto mode)
S/N Ratio	56 dB

• Lens

Focal Length / Aperture	Fixed (fisheye lens), f1.3mm / F2.6
Iris	Fixed iris
Focus	Fixed focus
Mount Type	Board mount
Horizontal Viewing Angle	203.5° (Overview Area), 124.2° (High Detail Area)
Viewing Angle Adjustment	Rotate: -90° ~90°

• Video

Compression	H.264 (Baseline / Main / High profile), MJPEG
Max. Frame Rate vs. Resolution	Fisheye view mode: 10 fps at 3072 x 2048; 10 fps at 2592 x 1944; 10 fps at 2048 x 1536; 10 fps at 1440 x 1080; 10 fps at 1280 x 960; 10 fps at 800 x 600; 10 fps at 640 x 480 Dewarped view mode: 12 fps at 2592 x 1944; 12 fps at 2048 x 1536; 12 fps at 1920 x 1080; 12 fps at 1280 x 720; 12 fps at 640 x 480; 12 fps at 320 x 240
View Mode	Fisheye view; Dewarped view: 180°/ 360° Panorama, ePTZ
Multi-Streaming	Simultaneous dual streams based on two configurations
Bit Rate	28 Kbps - 6 Mbps (per stream)
Bit Rate Mode	Constant, Variable
Image Enhancement	Advanced WDR (80 dB); White balance: automatic, hold and manual; Brightness; Contrast; Sharpness (auto); Automatic gain control; 2D+3D digital noise reduction; Flickerless; Defogging
Privacy Mask	4 configurable regions
Text Overlay	User defined text on video
Image Orientation	Image flip and mirror

• Audio

Compression	8 kHz, Mono, PCM, 16 bit encoding; G.711
Audio-In	Terminal block
Audio-Out	Terminal block

• Network

Protocol & Service	TCP, UDP, HTTP, HTTPS, DHCP, PPPoE, RTP, RTSP, IPv4, IPv6, DNS, DDNS, NTP, ICMP, ARP, IGMP, SMTP, FTP, UPnP, SNMP, Bonjour
Ethernet Port	1, Ethernet (10/100 Base-T), RJ-45 connector
Security	IP address filtering; HTTPs encryption; Password protected user levels; Anonymous login; IEEE802.1X network access control

• Alarm

Alarm Trigger	Video motion detection (3 regions); External device through digital input; Sound detection
Alarm Response	Notify control center; Go to ePTZ preset point or preset tour; Change camera settings; Command other devices; E-mail notification with snapshots; Save video or snapshot to local storage; Upload video or snapshot to FTP server; Activate external device through digital output

• Interface

Digital Input	2, Terminal block
Digital Output	2, Terminal block
Local Storage	MicroSDHC/MicroSDXC memory card slot (card not included)

• General

Power Source / Consumption	PoE Class 3 (IEEE802.3af) / 7.2 W DC 12V (adapter not included) / 6.24 W
Weight	894 g (1.97 lb)
Dimensions (Ø x H)	152 mm X 66 mm (6" X 2.6")
Environmental Casing	Weatherproof (IP68 rated); Vandal proof (IK10); Transparent dome cover
Mount Type	Surface, Pendant, Wall, Corner, Pole, Gang box
Starting Temperature	-40 °C - 50°C (-40°F - 122°F)
Operating Temperature	-40 °C - 50°C (-40°F - 122°F)
Operating Humidity	10% ~ 85% RH
Approvals	CE (EN 55022 Class B, EN 55024), FCC (Part15 Subpart B Class B), IP68, NEMA 4X, IK10, UL (for optional PoE injector and power adapter)

• Integration

Unified Solution	Fully compatible with ACTi software
ISV Integration	Software Development Kit (SDK) available ; ONVIF compliant
GPS Position	Manual setting
Firmware Access Browser	Microsoft Internet Explorer 8.0 or newer (full functionality) Safari with QuickTime installed, and other browsers with VLC installed (partial functionality)

* All specifications are subject to change without notice.

* All brand names and registered trademarks are the property of their respective owners.

www.acti.com

