

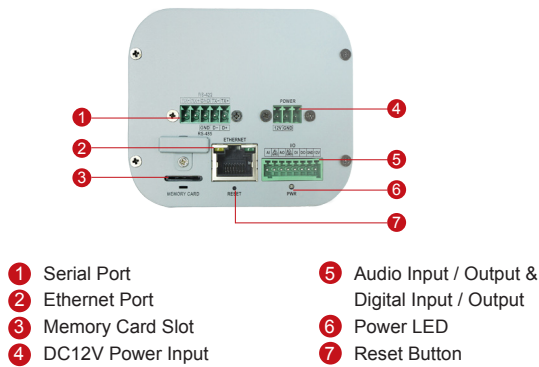
E210

10MP Zoom Box with D/N,
Basic WDR, 4.3x Zoom Lens

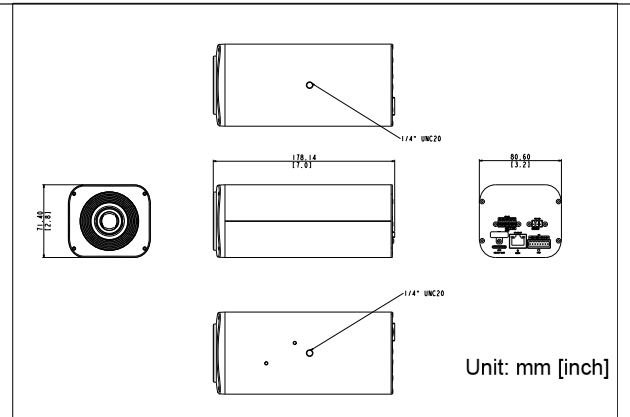


- 10 Megapixel with 4K/1080p
- Day & Night
- 10x Zoom Lens with f3.1 - 13.3mm / F1.4 - 4.0, P-Iris, Auto Focus (for Installation)
- Basic WDR (70 dB)
- 30 fps at 1920 x 1080

PHOTO INDICATION



DIMENSION DIAGRAM



ACCESSORY OPTIONS

Power Supply		
PPOE-0001		IEEE 802.3af PoE Injector for Class 1, 2 or 3 devices, with universal adapter
PPBX-0002		Universal Power Adapter, 100~240V, 4 different connectors included

Popular Mounting Solutions		
Corner	PMAX-0202 PMAX-1106 PMAX-0402	
Pole	PMAX-0202 PMAX-1106 PMAX-0503	

* For more mounting solutions, please refer to Project Planner on www.acti.com

Outdoor Housing & Bracket		
PMAX-0200		IP66, with heater and fan powered by 110V AC, -30°C ~ 50°C (-22°F ~ 122°F), requires housing bracket
PMAX-0201		IP66, with heater and fan powered by 220V AC, -30°C ~ 50°C (-22°F ~ 122°F), requires housing bracket
PMAX-0202		IP66, -10°C ~ 50°C (14°F ~ 122°F), requires housing bracket
PMAX-1106		Aluminum, max. load 10 kg (22.05 lb), (For PMAX-0200, PMAX-0201, PMAX-0202)

PRODUCT SPECIFICATION**E210****• Device**

Device Type	Zoom Box Camera
Image Sensor	Progressive Scan CMOS
Sensor Size	1/2.3"
Effective Pixels	3856 (H) x 2764 (V) (10.66 MP)
Horizontal Resolution	1450 TVL
Day / Night	Yes
Low Light Sensitivity	Standard
Minimum Illumination	Color: 0.1 lux at F2.8 (30 IRE, 2400°K); B/W: 0.05 lux at F2.8 (30 IRE, 2400°K)
Color to B/W Switch	ISP based switch; Configurable
Mechanical IR Cut Filter	Yes
IR Sensitivity Range	700 - 1100 nm
IR LED	No
Electronic Shutter	1/5 ~ 1/2,000 sec (manual mode); 1/5 ~ 1/10,000 sec (auto mode)
S/N Ratio	52 dB

• Lens

Focal Length / Aperture	Zoom, f3.1 - 13.3mm / F1.4 - 13.3
Zoom Ratio /Speed	4.3x optical / 3 sec (wide to tele)
Zoom Application	Camera installation
Iris	P-iris
Focus	Auto focus
Lens Mount	Board mount
Horizontal Viewing Angle	109° ~ 26.4°

• Video

Compression	H.264 (Baseline / Main / High profile), MJPEG
Max. Frame Rate vs. Resolution	7 fps at 3648 x 2736; 7 fps at 3648 x 2160; 7 fps at 2592 x 1944; 7 fps at 2048 x 1536; 30 fps at 1920 x 1080; 30 fps at 1280 x 720; 30 fps at 800 x 600; 30 fps at 640 x 480; 15 fps at 320 x 240
Multi-Streaming	Simultaneous dual streams based on two configurations
Bit Rate	28 Kbps - 6 Mbps (per stream)
Bit Rate Mode	Constant, Variable
Privacy Mask	4 Configurable regions
Image Enhancement	Basic WDR (70 dB); White balance: automatic, hold, and manual; Brightness; Contrast; Sharpness (auto); Auto gain control; Digital noise reduction; Flickerless
Text Overlay	User defined text on video
Image Orientation	Image flip and mirror

• Audio

Compression	8kHz, Mono, PCM, 16 bit encoding; G. 711
Audio-In	Terminal block
Audio-Out	Terminal block

• Network

Protocol & Service	TCP, UDP, HTTP, HTTPS, DHCP, PPPoE, RTP, RTSP, IPv6, DNS, DDNS, NTP, ICMP, ARP, IGMP, SMTP, FTP, UPnP, SNMP, Bonjour, Sony VISCA, Pelco D, Pelco P
Ethernet Port	1, Ethernet (10/100 Base-T), RJ-45 connector
Security	IP address filtering; HTTPS encryption; Password protected user levels; Anonymous login; IEEE 802.1X network access control

• Alarm

Alarm Trigger	Video motion detection (3 regions); External device through digital input; Sound detection
Alarm Response	Notify control center; Change camera settings; Command other devices; E-mail notification with snapshots; Save video or snapshot to local storage; Upload video or snapshot to FTP server; Activate external device through digital output

• Interface

Digital Input	1, Terminal block
Digital Output	1, Terminal block
Serial Port	1, RS-485/RS-422, Terminal block
Local Storage	MicroSDHC/MicroSDXC memory card slot (card not included)

• General

Power Source / Consumption	PoE Class 3 (IEEE802.3af) / 12 W (built-in heater on)
Weight	661 g (1.457 lb)
Dimensions (W x H x D)	71.4 mm x 80.6 mm x 177.26 mm (2.81" x 3.17" x 6.97")
Environmental Casing	Optional housing (IP 66 rated)
Mount Type	Wall, Ceiling, Corner, Pole
Starting Temperature	-10°C ~ 50°C (14°F ~ 122°F)
Operating Temperature	-20°C ~ 50°C (-4°F ~ 122°F)
Operating Humidity	10% ~ 85% RH
Approvals	CE (EN 55022 Class B, EN 55024), FCC (Part15 Subpart B Class B), UL (for optional PoE injector and power adapter)

• Integration

Unified Solution	Fully compatible with ACTi software
ISV Integration	Software Development Kit (SDK) available, ONVIF compliant
Firmware Access Browser	Microsoft Internet Explorer 8.0 or newer (full functionality); Safari with QuickTime installed, and other browsers with VLC installed (partial functionality)
Auto Firmware Upgrade	Yes
GPS Position	Manual Setting

* All specifications are subject to change without notice.

* All brand names and registered trademarks are the property of their respective owners.

www.acti.com