

PN8M Panel PC Series with 9" TFT LCD

■ Model:

PN8M-090T-5A-N5GM / PN8M-090T-8A-N5GM

PN8M-090T-5A-B5GM / PN8M-090T-8A-B5GM

PN8M-090T-5A-N5GS / PN8M-090T-8A-N5GS

PN8M-090T-5A-B5GS / PN8M-090T-8A-B5GS

PN8M-090T-P5A-N5GM / PN8M-090T-P8A-N5GM

PN8M-090T-P5A-B5GM / PN8M-090T-P8A-B5GM

PN8M-090T-P5A-N5GS / PN8M-090T-P8A-N5GS

PN8M-090T-P5A-B5GS / PN8M-090T-P8A-B5GS

User's Manual

(Revision 1.7A)



CE



FCC



VCCI



VIBRATION



IP 65



TOUCH



WI-FI



FANLESS

Revision

<i>Date</i>	<i>Version</i>	<i>Description</i>
2020/07/24	Version 1.0A	Initial Release
2020/08/04	Version 1.1A	Correct section 2.5, System Status LED
2021/02/01	Version 1.2A	Add section 4, Yocto operating instructions
2021/03/08	Version 1.3A	At section 2.4, remove the CF/MicroSD cover as default
2021/09/15	Version 1.4A	Add Projected Capacitive Touch Solution
2022/06/21	Version 1.5A	Correct section 4.1
2022/09/30	Version 1.6A	Correct section 1.6
2022/11/14	Version 1.7A	Correct power input range of type "8A"

Copyright

The information in this manual is subject to change without notice for continuous improvement in the product. All rights are reserved. The manufacturer assumes no responsibility for any inaccuracies that may be contained in this document. And makes no commitment to update or to keep current the information contained in this manual.

No part of this manual may be reproduced, copied, translated or transmitted, in whole or in part, in any form or by any means without the prior written permission of the ICOP Technology Inc.

©Copyright 2022 ICOP Technology Inc.
Manual No. IUMPN8M090-01 Ver.1.7A Nov, 2022

Trademarks Acknowledgment

PN8M™ is the registered trademark of ICOP Technology Inc. Other brand names or product names appearing in this document are the properties and registered trademarks of their respective owners. All names mentioned herewith are served for identification purpose only.

Safety Information

- Read these Safety instructions carefully.
- Make sure the voltage of the power source is correct before connecting the equipment to the power outlet.
- Do not expose your Panel PC to rain or moisture, in order to prevent shock and fire hazard.
- Keep PN8M-090T away from humidity.
- Do not open the cabinet to avoid electrical shock. Refer to your nearest dealer for qualified personnel servicing.
- Never touch un-insulated terminals or wire unless your power adaptor is disconnected.
- Locate your Panel PC as close as possible to the socket outline for easy access and to avoid force caused by entangling of your arms with surrounding cables from the Panel PC.
- USB connectors are not supplied with Limited Power Sources.
- If the equipment is not used for a long time, disconnect it from the power source to avoid damage by transient overvoltage.

**DO NOT ATTEMPT TO OPEN OR TO DISASSEMBLE THE CHASSIS (ENCASING) OF THIS PRODUCT.
PLEASE CONTACT YOUR DEALER FOR SERVICING FROM QUALIFIED TECHNICIAN.**

Table of Contents

Table of Contents		iii
(1)	General Information	1
	1.1 Product Description	1
	1.2 Product Specification	2
	1.3 Inspection standard for TFT-LCD Panel	4
	1.4 Product Dimension	9
	1.5 Panel Mounting Instruction.....	11
	1.6 Ordering Information.....	13
	1.7 Packing List.....	15
(2)	System Installation.....	16
	2.1 CPU Board Outline	16
	2.2 Connector Summary	17
	2.3 Connector Pin Assignments	18
	2.4 External I/O Overview.....	20
	2.5 External I/O Pin Assignment.....	21
(3)	The Settings for Normal and Developer Modes.....	24
(4)	Yocto operating instructions.....	26
	4.1 Check storages contents	26
	4.2 Set the default time zone.....	28
	4.3 Open Chromium browser.....	29
	4.4 Setup volume of sound	30
	4.5 Play MP4 video or MP3 music.....	31
	4.6 Yocto Image Restore and Recipe.....	33
Warranty.....		34

(1) General Information

1.1 Product Description

PN8M-090T is an ultra-compact platform for the present demanding embedded and productive applications. It has NXP i.MX8M Mini Cortex-A53 ARM Quad Core which consumes only minimum power requirement when running at 1.6GHz, and up 4GB LPDDR4 memory provides faster data transfer rate. By using 9" TFT LCD, PN8M-090T becomes the perfect choice for a limited budget. In addition, the integrated Gigabit Ethernet port supplies the communication capability which makes PN8M-090T can be more widely used when running Yocto Linux and Android environments to become the perfect solution for system integration.

1.2 Product Specification

Table 1-1 Product Specification

CPU Board Specifications	
CPU	i.MX8M Mini-1.6GHz Cortex-A53 ARM Quad-Core
Cache	L2: 512KB Cache
Memory	1GB/2GB/4GB LPDDR4 onboard
Watchdog Timer	Support 3 Watchdog Timer
LAN	Integrated Gigabit Ethernet
Audio	High Definition Audio
Internal Drives	8GB / 16GB / 64GB of eMMC onboard Micro SD slot (Like a card reader only)
I/O	RS-232 x 1 USB port (Ver2.0) x 2 RJ-45 Port x 1 Line-Out x 1
Mechanical & Environment	
Power Requirement	Single Voltage +5VDC (5 A) Multi Voltage +12~+36VDC (8 A)
Power Consumption	8W (Typ.)
Operating Temperature	0 ~ +60°C (32 ~ +140°F) / -20~+70°C (-4 ~ +158°F) Optional (-I)
Storage Temp.	-30 ~ +70°C (14 ~ +158°F)
Operating Humidity	0% ~ 90% relative humidity, non-condensing
Dimensions	236.6 x 146 x 35mm (9.31 x 5.75 x 1.38 inches)
Weight	840g

Front Panel Protection	IP 65
Certification	CE / FCC / VCCI / Vibration / Shock
LCD Specifications	
Display Type	9" TFT LCD
Backlight Unit	LED
Display Resolution	1024(W) x 600(H)
Brightness (cd/m ²)	300 nits
Contrast Ratio	500 : 1
Display Color	262, 144
Active Area (mm)	196.61 (W) x 114.15 (H)
Viewing Angle	Vertical 120°, Horizontal 140°
Backlight Lifetime	20,000 hrs
Touchscreen	
Type1	Analog Resistive
Resolution	Continuous
Transmittance	80%
Controller	USB interface
Software Driver	Linux
Durability	1 million
Type2	Projected Capacitive Touch Screen (Optional)
Resolution	25ppi (Min.)
Transparency	86% ± 2%
Accuracy	Within 2.5mm each target
Surface Hardness	≥ 7H (Pressure : 0.5N/45°)

1.3 Inspection standard for TFT-LCD Panel

Table 1-2 Inspection Standard

DEFECT TYPE		LIMIT		Note				
VISUAL DEFECT	INTERNAL	$\phi < 0.15\text{mm}$		Ignore				
		SPOT	$0.15\text{mm} \leq \phi \leq 0.5\text{mm}$	$N \leq 4$	Note1			
			$0.5\text{mm} < \phi$	$N=0$				
	FIBER	$0.03\text{mm} < W \leq 0.1\text{mm}, L \leq 5\text{mm}$		$N \leq 3$	Note1			
		$1.0\text{mm} < W, 1.5\text{mm} < L$		$N=0$				
	POLARIZER BUBBLE	$\phi < 0.15\text{mm}$		Ignore	Note1			
		$0.15\text{mm} \leq \phi \leq 0.5\text{mm}$		$N \leq 2$				
		$0.5\text{mm} < \phi$		$N=0$				
	Mura		It' OK if mura is slight visible through 6%ND filter					
	ELECTRICAL DEFECT	BRIGHT DOT	A Grade			B Grade		
C Area			O Area	Total	C Area	O Area	Total	
$N \leq 0$			$N \leq 2$	$N \leq 2$	$N \leq 2$	$N \leq 3$	$N \leq 5$	Note2
DARK DOT		$N \leq 2$	$N \leq 3$	$N \leq 3$	$N \leq 3$	$N \leq 5$	$N \leq 8$	
TOTAL DOT		$N \leq 4$			$N \leq 5$	$N \leq 6$	$N \leq 8$	Note2
TWO ADJACENT DOT		$N \leq 0$	$N \leq 1$ pair	$N \leq 1$ pair	$N \leq 1$ pair	$N \leq 1$ pair	$N \leq 1$ pair	Note4
THREE OR MORE ADJACENT DOT		NOT ALLOWED						
LINE DEFECT	NOT ALLOWED							

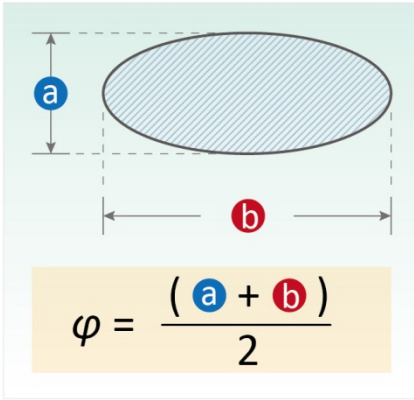
(1) One pixel consists of 3 sub-pixels, including R, G, and B dot.

(Sub-pixel = Dot)

(2) LITTLE BRIGHT DOT ACCEPTITABLE UNDER 6 % ND-Filter

(3) If require G0 grand (Total dot $N \leq 0$), please contact region sales.

[Note 1] W : Width[mm], L : Length[mm], N : Number, ϕ : Average Diameter.



1. White / Black Spot
2. Polarizer Bubble

Fig 1-1

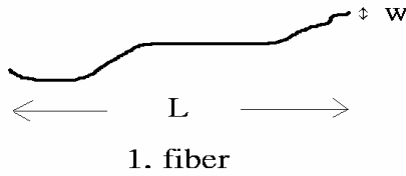


Fig 1-2

[Note 2] Bright dot is defined through 6% transmission ND Filter as following.

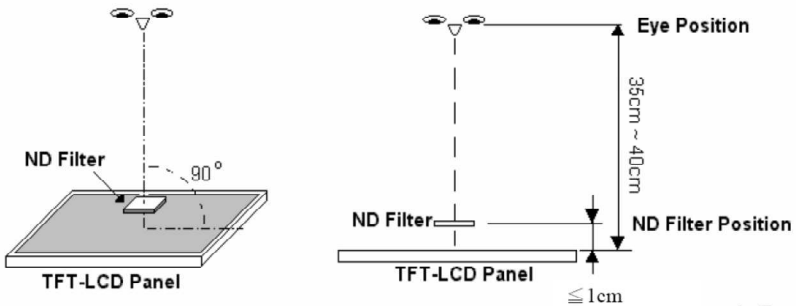
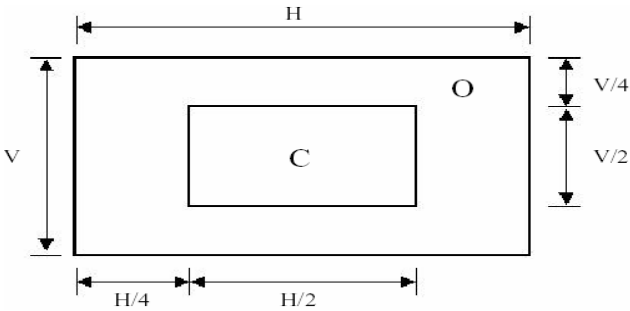


Fig 1-3

[Note 3]

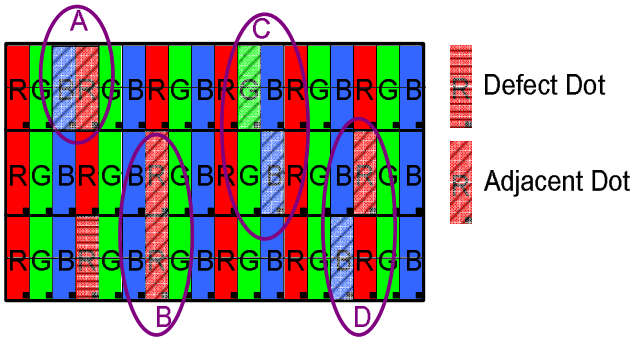


C Area: Center of display area

O Area: Outer of display area

[Note 4]

Judge defect dot and adjacent dot as following. Allow below (as A, B, C and D status) adjacent defect dots, including bright and dart adjacent dot. And they will be counted 2 defect dots in total quantity.



- (1) The defects that are not defined above and considered to be problem shall be reviewed and discussed by both parties.

Defects on the Black Matrix, out of Display area, are not considered as a defect or counted.

[Note 5]

According to the technical information from LCD manufacturer, the image retention may happen on LCD display if the static image is kept for a period of time without any change. ICOP will suggest customers not to have static image on LCD for over 4 hours without any image movement and also enable screensaver to avoid image sticking issue if LCD displays need to be kept on for a long time.

Some Image retention issue will disappear when LCD display is turned off for a period of time, but some image retention may be not reversible when LCD encounters screen burn.

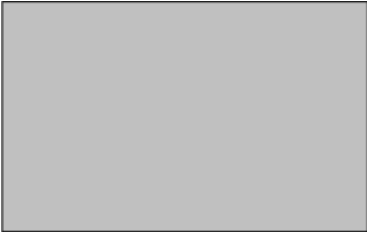
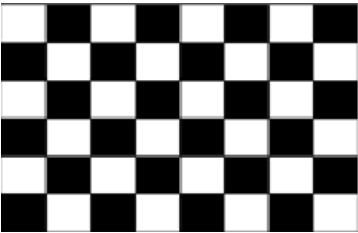
The following is LCD manufacturer's test result for customers' reference.

TEST ITEMS	CONDITIONS	NOTE
High Temperature Operation	70°C ;240hrs	
High Temperature Storage	80°C ; 240hrs	
High Temperature High Humidity Operation	60°C ; 90%RH ;240hrs	No condensation
Low Temperature Operation	-20°C ; 240hrs	Backlight unit always turn on
Low Temperature Storage	-30°C ; 240hrs	
Thermal Shock	-30°C (0.5hr) ~ 80°C (0.5hr) ; 200 Cycles	
Image Sticking	25°C ; 4hrs	Note 5-1
MTBF	20,000Hrs	

Note 5-1

1. Condition of Image Sticking test : 25 °C ± 2 °C.
2. Operation with test pattern sustained for 4 hrs, then change to gray pattern immediately.

3. After 5 mins, the mura must be disappeared completely.



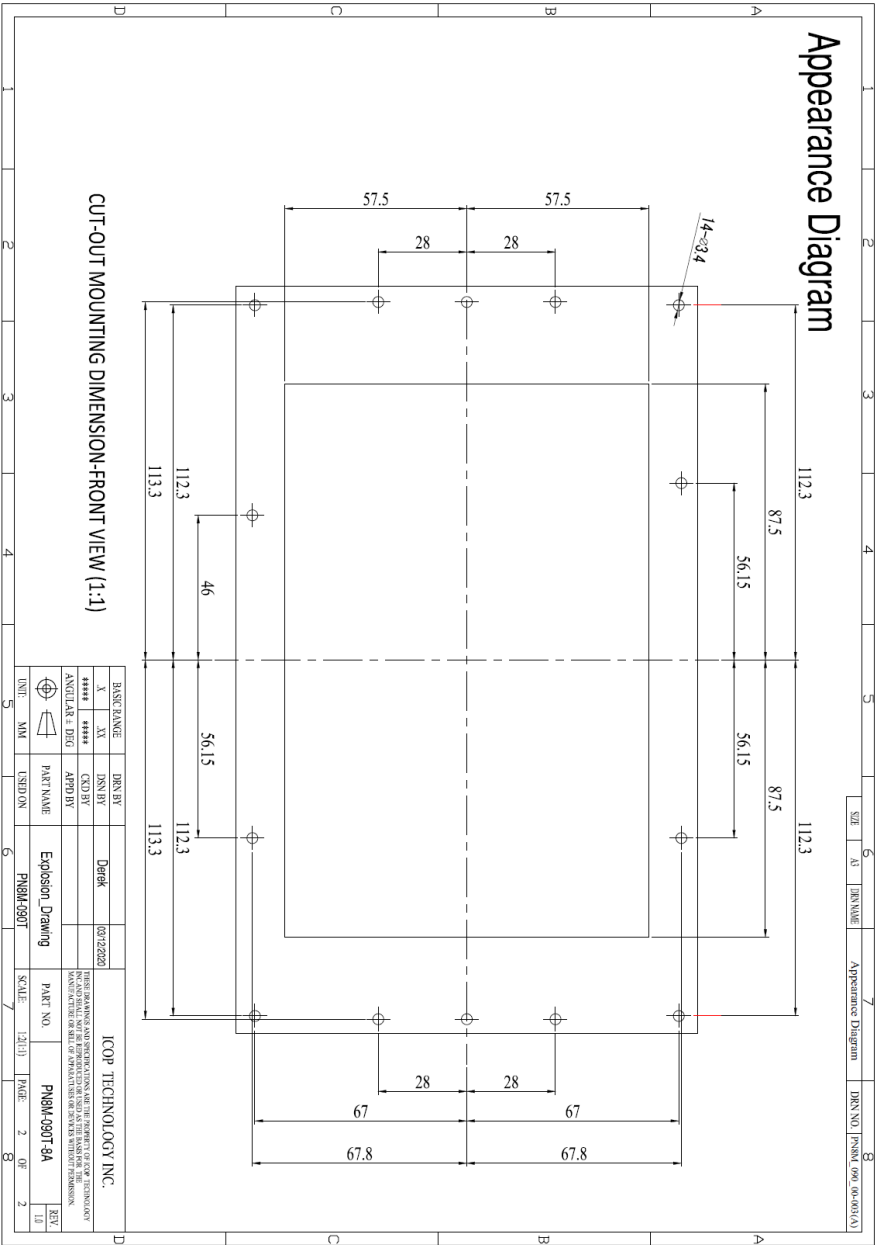
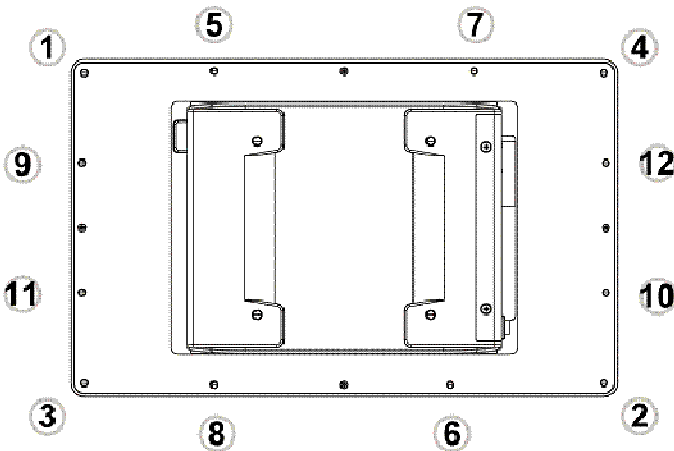
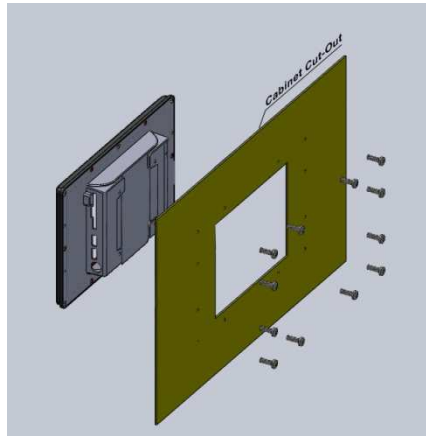


Fig 1-4 Product Dimension

1.5 Panel Mounting Instruction

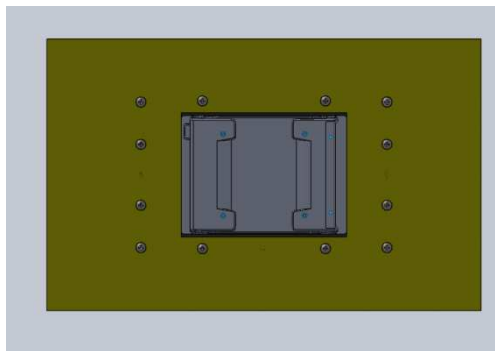
1. Cut a mounting hole in the panel. (Refer to PN8M-090T Dimensions on page 7) (Note 1)
2. Check and remove the twelve M3 screws in a diagonal pattern as image below if necessary.
3. Place PN8M-090T face-down on a clean, flat surface.
4. Slide the panel cutout around the back of PN8M-090T, until the panel rests directly on the gasket. Make sure the screw holes align with the screw holes on PN8M-090T.
5. The screw size is M3*L (L=wall thickness + 6.0mm) (Note 2)
6. Insert all twelve M3 screws into the screw holes. (Note 2)
7. Finger-tighten the M3 screws. Finish tightening the M3 screws in a diagonal pattern using an M3 screw driver (see the image as below); maximum torque 1.18Nm (12 kgf-cm).





Note 1:

It is strongly recommended that a professional machine shop cut the mounting hole in the panel.



Note 2:

The length for all twelve M3 screws will be according to the thickness of mounting panel. For example: The length of standard M3 screws for PN8M-090T is 6mm. If the thickness of your mounting panel is 3mm and washer thickness is 1mm, you have to use 10mm M3 screw.

1.6 Ordering Information

Product Code	LCD Size	DC-Input Type	BT&WLAN	DRAM	eMMC Capacity	eMMC Type	Wide Temp.
PN8M	090T	5A	N (No BT&WLAN)	4 (1GB)	F (8GB)	M (MLC)	I (Wide Temp.)
		8A	B (With BT&WLAN)	5 (2GB)	G (16GB)	S (SLC)	
		P5A		6 (4GB)	H (64GB)		
		P8A					

1. Product Code :

PN8M : PN8M Series.

2. LCD Size :

090T : 9" LCD with touchscreen.

3. DC-Input Type :

5A : Audio Line-out and Single DC5V Power Input with Resistive Touch Panel.

8A : Audio Line-out and Support DC12~36V Power Input with Resistive Touch Panel.

P5A : Audio Line-out and Single DC5V Power Input with **9" PCAP Touch Panel.**

P8A : Audio Line-out and Support DC12~36V Power Input with **9" PCAP Touch Panel.**

4. BT&WLAN :

N : No BT&WLAN.

B : With BT&WLAN.

5. DRAM Onboard :

4 : 1GB. **(Build to order)**

5 : 2GB.

6 : 4GB. **(Build to order)**

6. eMMC Capacity :

F : 8GB. **(Build to order)**

G : 16GB.

H : 64GB. **(Build to order)**

7. eMMC Type :

M : MLC.

S : SLC. **(Build to order)**

8. Wide Temp. :

I : Support Wide Temp. -20~+70°C. **(Optional)**

(Standard version doesn't need to show this item.)

Table 1-3 Ordering Information

PART NUMBER	DESCRIPTION
PN8M-090T-8A-B5GM	PN8M-090T with i.MX8M Mini (Quad Core 1.6GHz), 2GB of LPDDR4, 16GB eMMC MLC, Wifi&BT and DC+12~36V
PN8M-090T-8A-N5GM	PN8M-090T with i.MX8M Mini (Quad Core 1.6GHz), 2GB of LPDDR4, 16GB eMMC MLC and DC+12~36V
PN8M-090T-P8A-B5GM	PN8M-090T with i.MX8M Mini (Quad Core 1.6GHz), 2GB of LPDDR4, 16GB eMMC MLC, PCAP , Wifi&BT and DC+12~36V
PN8M-090T-P8A-N5GM	PN8M-090T with i.MX8M Mini (Quad Core 1.6GHz), 2GB of LPDDR4, 16GB eMMC MLC, PCAP and DC+12~36V
PN8M-090T-8A-B4FM	PN8M-090T with i.MX8M Mini (Quad Core 1.6GHz), 1GB of LPDDR4, 8GB eMMC MLC, Wifi&BT and DC+12~36V
PN8M-090T-5A-N4FM	PN8M-090T with i.MX8M Mini (Quad Core 1.6GHz), 1GB of LPDDR4, 8GB eMMC MLC and 20W powre adapter
PN8M-090T-5A-B5GM	PN8M-090T with i.MX8M Mini (Quad Core 1.6GHz), 2GB of LPDDR4, 16GB eMMC MLC, Wifi&BT and 20W powre adapter
PN8M-090T-5A-N5GM	PN8M-090T with i.MX8M Mini (Quad Core 1.6GHz), 2GB of LPDDR4, 16GB eMMC MLC and 20W powre adapter
PN8M-090T-P5A-B5GM	PN8M-090T with i.MX8M Mini (Quad Core 1.6GHz), 2GB of LPDDR4, 16GB eMMC MLC, PCAP , Wifi&BT and 20W powre adapter
PN8M-090T-P5A-N5GM	PN8M-090T with i.MX8M Mini (Quad Core 1.6GHz), 2GB of LPDDR4, 16GB eMMC MLC, PCAP and 20W powre adapter
CABLE-MINIDIN8P-30	Software Programming CABLE for Developer

Please contact your region sales to get the more ordering part numbers if they don't list upon the table.

1.7 Packing List

Table 1-4 Packing List

PART NUMBER		PACKAGE
PN8M-090T-8A-B5GM	PN8M-090T-8A-B5GM	WIRELESS-ANTENNA-157
PN8M-090T-8A-N5GM	PN8M-090T-8A-N5GM	
PN8M-090T- P8A -B5GM	PN8M-090T- P8A -B5GM	WIRELESS-ANTENNA-157
PN8M-090T- P8A -N5GM	PN8M-090T- P8A -N5GM	
PN8M-090T-8A-B4FM	PN8M-090T-8A-B4FM	WIRELESS-ANTENNA-157
PN8M-090T-5A-N4FM	PN8M-090T-5A-N4FM	
PN8M-090T-5A-B5GM	PN8M-090T-5A-B5GM	Power-20W-3PIN-X & PowerHead-US/EU WIRELESS-ANTENNA-157
PN8M-090T-5A-N5GM	PN8M-090T-5A-N5GM	Power-20W-3PIN-X & PowerHead-US/EU
PN8M-090T- P5A -B5GM	PN8M-090T- P5A -B5GM	Power-20W-3PIN-X & PowerHead-US/EU WIRELESS-ANTENNA-157
PN8M-090T- P5A -N5GM	PN8M-090T- P5A -N5GM	Power-20W-3PIN-X & PowerHead-US/EU

(2) System Installation

2.1 CPU Board Outline

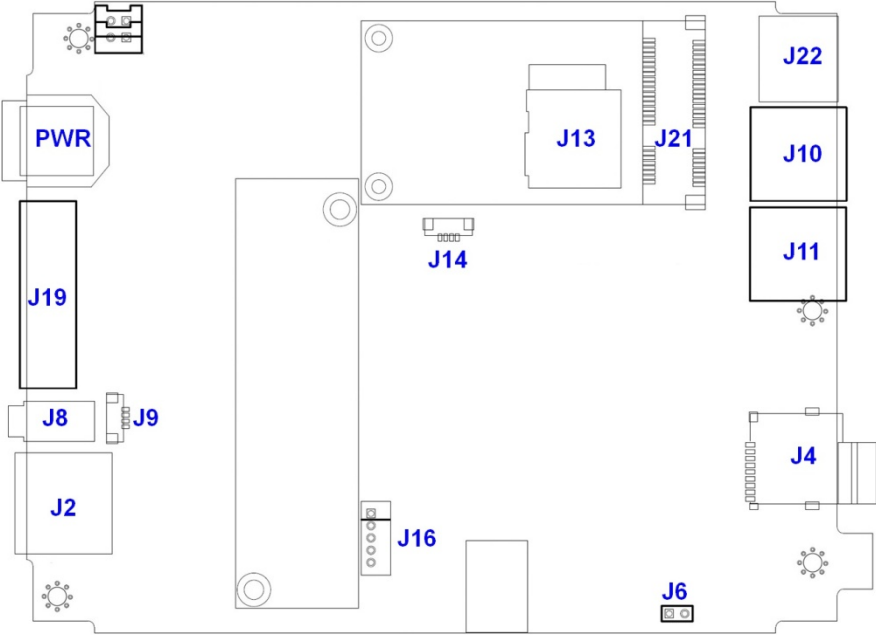


Fig 2-1 PN8M CPU Board

2.2 Connector Summary

Table 2-1 Summary Table

Nbr	Description	Type of Connections	Pin nbrs.
J2	Ethernet	External RJ45 Connector	8-pin
J4	Micro SD Card Socket	Micro SD Socket	9-pin
J6	Enable RS232/RS485	2.54mm 2-pin Header	2-pin
J8	Audio Line-Out	1.25mm Phone Jack	5-pin
J9	Audio Mic-in (Reserved)	1.25mm 4-pin Wafer	4-pin
J10	USB 2.0	External USB 2.0 Connector	6-pin
J11	USB 2.0	External USB 2.0 Connector	6-pin
J13	Micro SIM Card Holder	Internal Micro SIM Card Holder	6-pin
J14	I2C (For External Gamma Firmware Programming)	1.25mm 4-pin wafer	4-pin
J16	USB 2.0 (For Touch Controller)	2.0mm 5-pin Wafer	5-pin
J19	COM1 (RS232/RS485)	External D-Sub Male Connector	9-pin
J21	Mini-PCIe	Internal Mini-PCIe Socket	52-pin
J22	Software Programming Port (Reserved)	External Mini DIN Socket	8-pin
PWR	Power Connector (5A)	External Mini DIN Socket	3-pin
PWR	Power Connector (8A)	External Power Plug	2-pin

2.3 Connector Pin Assignments

J2: RJ45

Pin #	Signal Name	Pin #	Signal Name
1	BI_DA+	2	BI_DA-
3	BI_DB+	4	BI_DC+
5	BI_DC-	6	BI_DB-
7	BI_DD+	8	BI_DD-

J4: Micro SD Card Socket

Pin #	Signal Name	Pin #	Signal Name
1	DAT2	2	DAT3
3	CMD	4	VDD
5	CLK	6	VSS
7	DAT0	8	DAT1

J6: Enable RS232/RS485

Pin #	Signal Name
1-2 Open	COM1 RS232
1-2 Close	COM1 RS485

J8: Audio Line-Out

Pin #	Signal Name	Pin #	Signal Name
1	AMUTE	2	AOL
3	AOR	4	AOR

J9: Audio Mic-in **(Reserved)**

Pin #	Signal Name	Pin #	Signal Name
1	MIC_IN	2	GND_AUD
3	GND_AUD	4	MIC_IN

J10: USB 2.0

Pin #	Signal Name	Pin #	Signal Name
1	VCC	2	USBD3-
3	USBD3+	4	GND
5	FGND	6	FGND

J11: USB 2.0

Pin #	Signal Name	Pin #	Signal Name
1	VCC	2	USBD4-
3	USBD4+	4	GND
5	FGND	6	FGND

J13: Micro SIM Card Holder

Pin #	Signal Name	Pin #	Signal Name
1	SIM-VCC	2	SIM-RST
3	SIM-CLK	4	GND
5	SIM-VPP	6	SIM-IO

J14: I2C (For External Gamma Firmware Programming)

Pin #	Signal Name	Pin #	Signal Name
1	VCC	2	GND
3	I2C_SCL	4	I2C_SDA

J16: USB 2.0 (For Touch Controller)

Pin #	Signal Name	Pin #	Signal Name
1	VCC	2	USB D6-
3	USB D6+	4	GND
5	FGND		

J19: COM1 (RS232/RS485)

Pin #	Signal Name	Pin #	Signal Name
1	N/C	2	RXD1
3	TXD1	4	N/C or RS485+
5	GND	6	N/C or RS485-
7	RTS1	8	CTS1
9	N/C		

J22: Software Programming Port **(Reserved)**

Pin #	Signal Name	Pin #	Signal Name
1	VCC	2	USB D1-
3	USB D1+	4	USB D1_ID
5	GND	6	GND
7	TXD2	8	RXD2

PWR: Power Connector (5A)

Pin #	Signal Name
1	+5V
2	GND
3	NC
4	GND

PWR: Power Connector (8A)

Pin #	Signal Name
1	+12 ~ 36V
2	GND

2.4 External I/O Overview

{ PN8M-090T-8A }

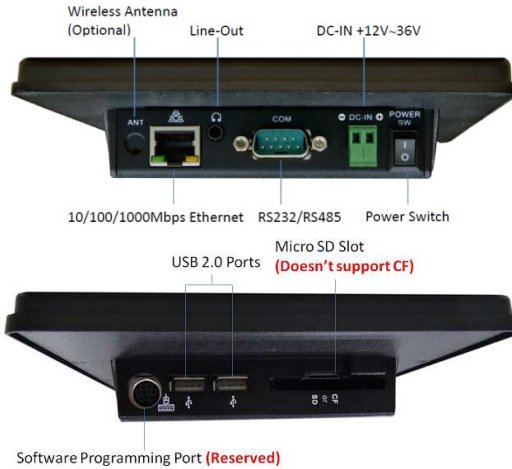


Fig 2-2 PN8M-090T-8A I/O overview

{ PN8M-090T-5A }




Fig 2-3 PN8M-090T-5A I/O overview

{Note}


1. WLAN is optional
2. COM1 can be RS232/RS485 signals by jumper, J6
3. MicroSD Socket likes a reader for data wrting/reading only
4. Doesn't support CF card and do not plug any CF card in the hole of CF/MicroSD

2.5 External I/O Pin Assignment

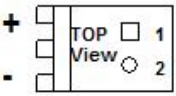
Power Switch

	Pin #	Status
		ON
	O	OFF


Power Connector (5A)

	Pin #	Signal Name
	1	+5V
	2	GND
	3	NC

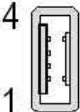
Power Connector (8A)

	Pin #	Signal Name
	1	+12 ~ 36V
	2	GND

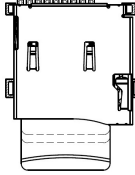
Audio Line-Out

	Pin #	Signal Name
	1	GND
	2	LOUTL
	3	Open Touch
	4	Open Touch
	5	VREFOUT

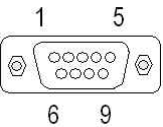
USB 2.0 Port

	Pin #	Signal Name
	1	VCC
	2	USB0-
	3	USB0+
	4	GND
	5	GGND
6	GGND	

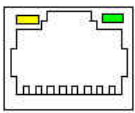
Micro SD Card Socket [\(Like Card Reader Only\)](#)

	Pin #	Signal Name
	1	DAT2
	2	DAT3
	3	CMD
	4	VDD
	5	CLK
	6	VSS
	7	DAT0
8	DAT1	

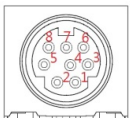
COM1 RS232

	Pin #	Signal Name	Pin #	Signal Name
	1	N/C	2	RXD1
	3	TXD1	4	N/C or RS485+
	5	GND	6	N/C or RS485-
	7	RTS1	8	CTS1
	9	N/C		


RJ45

	Pin #	Signal Name	Pin #	Signal Name
	1	BI_DA+	2	BI_DA-
	3	BI_DB+	4	BI_DC+
	5	BI_DC-	6	BI_DB-
	7	BI_DD+	8	BI_DD-


Software Programming Port **(Reserved)**

	Pin #	Signal Name
	1	VCC
	2	USB1D-
	3	USB1D+
	4	USB_ID
	5	GND
	6	GND
	7	TXD2
8	RXD2	

Power LED

	LED Color	State
	Blue	Power On

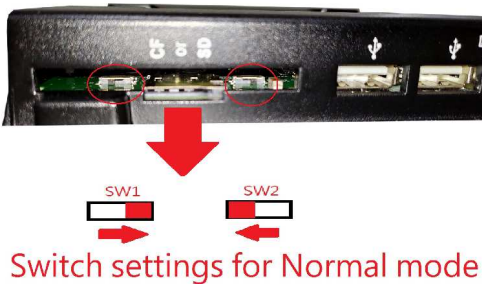
System Status LED

	LED Color	State
	Green	System Status LED when system is active (LED on => System running) (LED off => System execute "poweroff")

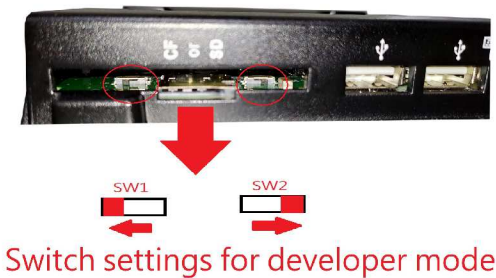
(3) The Settings for Normal and Developer Modes

1. There are two modes, Normal and Develop Modes as below.

Two switches setting for Normal mode, internal flash booting.



Two switches setting for Developer mode, which allow user to write the image in the eMMC.



2. The software programming cable for Developer Mode.

Ordering Part Number: CABLE-MINIDIN8P-30



- (1) Please order this cable from ICOP.
- (2) Refer section 3.2 to set two switches to be developer mode.
- (3) Plug 8-pin male terminal.



- (4) Connect USB and serial console cables to your developer PC, and power on the system for system restore.



(4) Yocto operating instructions

4.1 Check storages contents

- (1) Boot up the unit and enter Yocto desktop, click upper-left icon to use weston-terminal.



- (2) To check the storages status, execute “df”.

```
Wayland Terminal
sh-4.4# df
Filesystem      1K-blocks    Used Available Use% Mounted on
/dev/root       13417056 1717076 11091572  14% /
devtmpfs        674112      4      674108   1% /dev
tmpfs           1002432     0     1002432  0% /dev/shm
tmpfs           1002432    8676    993756   1% /run
tmpfs           1002432     0     1002432  0% /sys/fs/cgroup
tmpfs           1002432    16    1002416   1% /tmp
tmpfs           1002432    216   1002216   1% /var/volatile
/dev/mmcblk2p1  65390     22792   42598   35% /run/media/mmcblk2p1
tmpfs           200484    108   200376   1% /run/user/0
/dev/sda1       30177744  86688  30091056  1% /run/media/sda1
/dev/mmcblk1p1  31186944  8496   31178448  1% /run/media/mmcblk1p1
sh-4.4#
```

Under /dev/ directory, we found mmcblk1p1, mmcblk2p1 and sda1 three different storages.

```
/dev/mmcblk2p1 65390 22792 42598 35% /run/media/mmcblk2p1
tmpfs          200484 108 200376 1% /run/user/0
/dev/sda1     30177744 86688 30091056 1% /run/media/sda1
/dev/mmcblk1p1 31186944 8496 31178448 1% /run/media/mmcblk1p1
sh-4.4#
```

(3) To check the files, execute **command** ls with Mounted on directory

ls /run/media/mmcblk2p1

```
sh-4.4# ls /run/media/mmcblk2p1
Image  fsl-imx8mm-dm421A.dtb
```

ls /run/media/mmcblk1p1

```
sh-4.4# ls /run/media/mmcblk1p1
02.mp3  System Volume Information
```

ls /run/media/sda1

```
sh-4.4# ls /run/media/sda1
01.mp3  System Volume Information  tt.mp4
```

After files checked, we found storage codes:

mmcblk1p1 = MicroSD card

mmcblk2p1 = eMMC onboard with Yocto image

sda1 = USB mass storage

4.2 Set the default time zone

- (1) Boot up the unit and enter Yocto desktop, click upper-left icon to use weston-terminal.



- (2) Input below command to get code list of default time zone in Yocto.

ls /usr/share/zoneinfo

```
sh-4.4# ls /usr/share/zoneinfo
Africa      EET      GMT      MET      PST8PDT  Universal  zone1970.tab
America    EST      GMT+0    MST      Pacific  W-SU
Asia       EST5EDT  GMT-0    MST7MDT  ROC      WET
Australia  Etc      GMT0     NZ        ROK      Zulu
CET        Europe  Greenwich NZ-CHAT  UCT      iso3166.tab
cST6CDT   GB      HST      PRC      UTC      zone.tab
```

- (3) To change the time zone, execute command:

timedatectl set-timezone XXX

Note: XXX can be code in sub folder or main folder, for example:

timedatectl set-timezone ROC

```
sh-4.4# timedatectl set-timezone ROC
```

*Input code with identical upper or lower case letters is necessary in Yocto command.

After time zone setup, Yocto will change system time automatically.

4.3 Open Chromium browser

- (1) Boot up the unit and enter Yocto desktop, click upper-left icon to use weston-terminal.



- (2) Execute **chromium --no-sandbox**.

```
sh-4.4# chromium --no-sandbox
```

- (3) Set volume of sound.



*In Chromium, NXP i.MX8M Mini processor doesn't support hardware decoder of video playback. Thus, suggest user to play the Full HD 1080P video by internal Yocto Player. Please refer the section 4.5 to play MP4 video directly.

4.4 Setup volume of sound

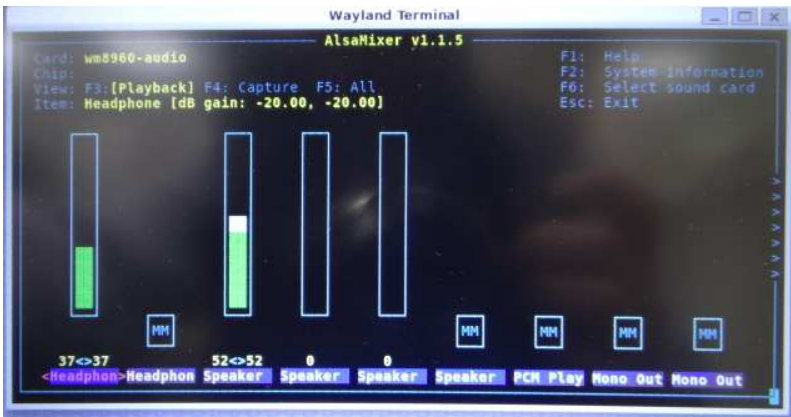
- (1) Boot up the unit and enter Yocto desktop, click upper-left icon to use weston-terminal.



- (2) Execute **alsamixer**.

```
sh-4.4# alsamixer
```

- (3) Set volume of sound.



4.5 Play MP4 video or MP3 music

- (1) Boot up the unit and enter Yocto desktop, click upper-left icon to use weston-terminal.



- (2) To play a MP4 video or MP3 music, execute **command**:

`gst-launch-1.0 playbin uri=file:///run/media/XXX/XX.mp4 audio-sink=alsasink`

`gst-launch-1.0 playbin uri=file:///run/media/XXX/XX.mp3 audio-sink=alsasink`

Note: **XXX** is file direction, for example:

- (A) Play tt.mp4 from a USB mass storage.

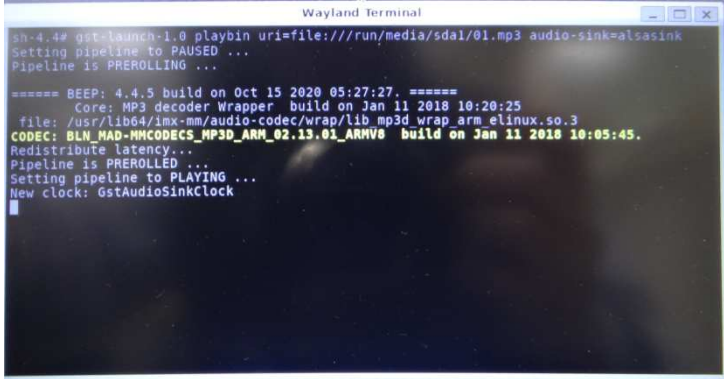
`gst-launch-1.0 playbin uri=file:///run/media/sda1/tt.mp4 audio-sink=alsasink`



(B) Play 01.mp3 from a USB mass storage.

```
gst-launch-1.0 playbin uri=file:///run/media/sda1/01.mp3 audio-sink=alsasink
```

```
sh-4.4# gst-launch-1.0 playbin uri=file:///run/media/01.mp3 audio-sink=alsasink
```



```
Wayland Terminal
sh-4.4# gst-launch-1.0 playbin uri=file:///run/media/sda1/01.mp3 audio-sink=alsasink
Setting pipeline to PAUSED ...
Pipeline is PREROLLING ...

===== BEEP: 4.4.5 build on Oct 15 2020 05:27:27. =====
Core: MP3 decoder Wrapper build on Jan 11 2018 10:20:25
file: /usr/lib64/libx-mm/audio-codec/wrap/lib_mp3d_wrap_arm_elinux.so.3
CODEC: BLW_MAD-MHCODECS_MP3D_ARM_02.13.01_ARMV6 build on Jan 11 2018 10:05:45.
Redistribute latency...
Pipeline is PREROLLED ...
Setting pipeline to PLAYING ...
New clock: GstAudioSinkClock
```



4.6 Yocto Image Restore and Recipe

Please contact your region sales or ICOP Technology Inc. to get the detail instructions, image restore and recipe download. User can use ICOP's recipe to make custom embedded Linux, Yocto Project image.

For Android environment, ICOP also has Android image for customer applications. Please also contact your region sales or ICOP Technology Inc. to get the detail instructions and image restore.

Warranty

This product is warranted to be in good working order for a period of one year from the date of purchase. Should this product fail to be in good working order at any time during this period, we will, at our option, replace or repair it at no additional charge except as set forth in the following terms. This warranty does not apply to products damaged by misuse, modifications, accident or disaster. Vendor assumes no liability for any damages, lost profits, lost savings or any other incidental or consequential damage resulting from the use, misuse of, originality to use this product. Vendor will not be liable for any claim made by any other related party. Return authorization must be obtained from the vendor before returned merchandise will be accepted. Authorization can be obtained by calling or faxing the vendor and requesting a Return Merchandise Authorization (RMA) number. Returned goods should always be accompanied by a clear problem description.

All Trademarks appearing in this manuscript are registered trademark of their respective owners.

All Specifications are subject to change without notice.

©ICOP Technology Inc. 2022