

Features

- Xilinx Kria K26 SOM featuring low latency and high-performance DPU
- Support Innodisk iCAP Cloud Platform for remote management
- Support InnoAgent to support out-of-band (OOB) remote management
- Support PCIe M.2 2230 / 2242 slot for Storage and Peripherals
- Prebuilt Hardware Acceleration with BSP / Pre-trained AI Models
- Optional Industrial Temperature (-40°C to +85°C) support
- Industrial design, manufactured in innodisk Taiwan, 3-year warranty

Specifications

Module Name	EXMU-X261
Module Type	FPGA Machine Vision Solution Kit
Form Factor	SOM
Controller	Kria K26
Dimension	120 x 100 mm
Display Interface	1x HDMI 1.4
Ethernet	1x RJ45 GbE LAN
I/O	4x USB 3.1 Gen1 1x 15pin terminal block (GPIOx5, UARTx1, CANbus x2, I2C x1) 1x MicroSD 1x USB Type-C (Debug Only) Power Button Reset Button
Expansion	M.2 2230 E-Key (PCIe Gen2 x1, USB 2.0) M.2 2242 M-Key (PCIe Gen3 x4)
Indicator	Dual Color Power LED
Power Requirement	12V +/-5% DC Power supply
Power Consumption	Approximate 12W
Temperature	Operation: Standard Temp: 0°C ~ 70°C Storage: -40°C ~ 75°C
Storage Humidity	5% to 95%, non-condensing
OS Support	Linux OS 5.4.0 ; Ubuntu 18.04
Certification	CE/FCC class A

Headquarters (Taiwan)

5F., No.237, Sec. 1, Datong Rd.,
Xizhi Dist., New Taipei City 221,
Taiwan

Tel: +886-2-7703-3000
Email: sales@innodisk.com

Branch Offices:

USA

usasales@innodisk.com
+1-510-770-9421

Europe

esusales@innodisk.com
+31-40-3045-400

Japan

jpsales@innodisk.com
+81-3-6667-0161

China

sales_cn@innodisk.com
+86-755-2167-3689

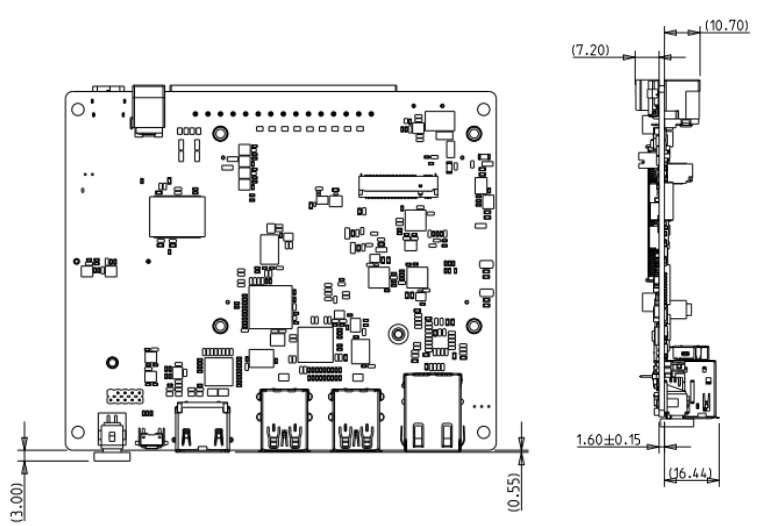
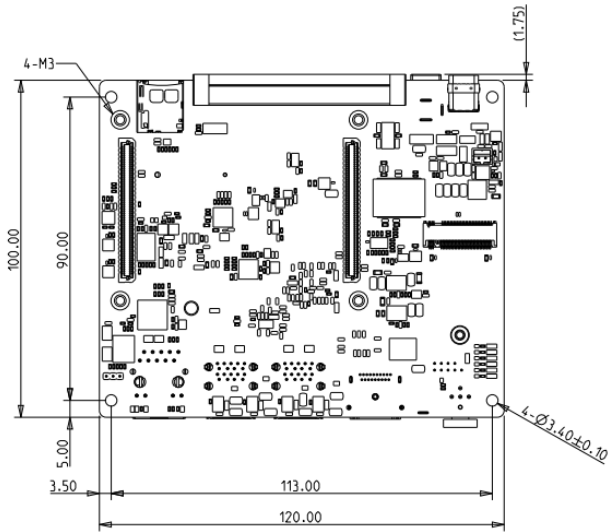
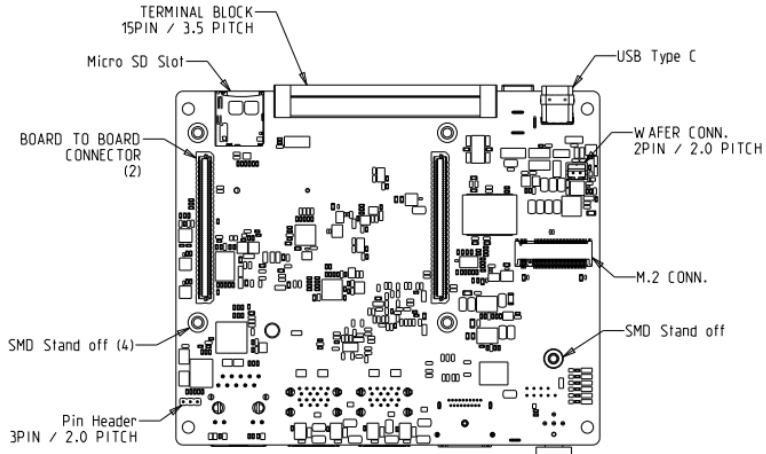
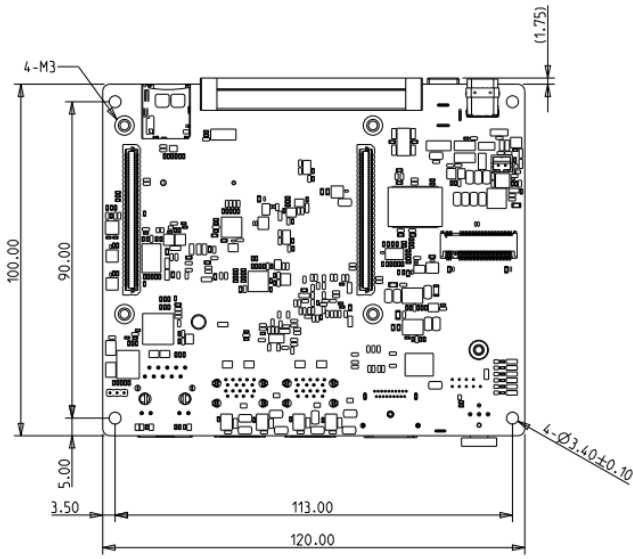
www.innodisk.com

© 2022 Innodisk Corporation.
All right reserved. Specifications
are subject to change without
prior notice.

December 19, 2022

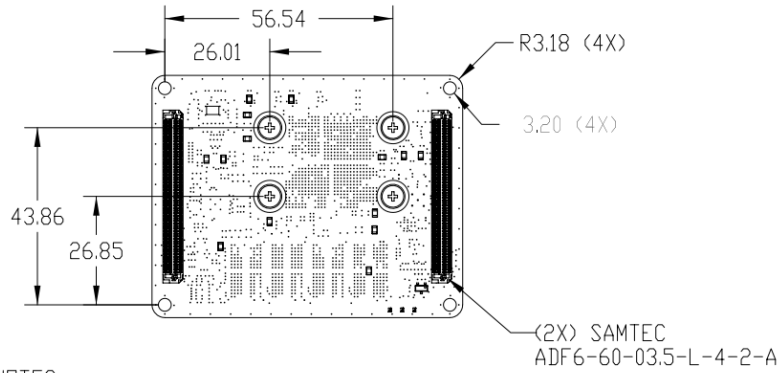
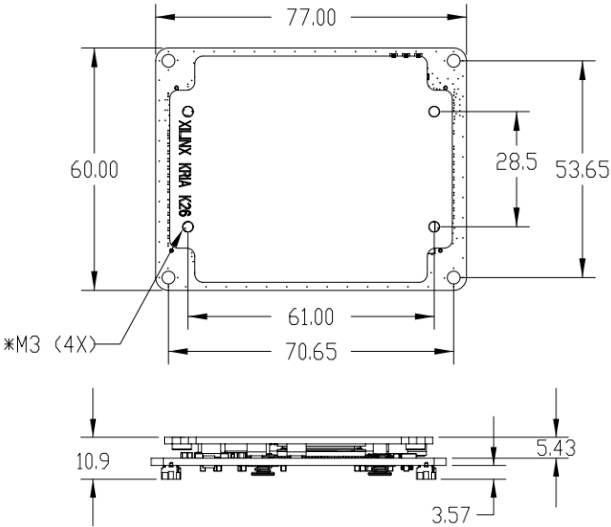
Mechanical Drawing

EXMU-X261 Carrier Board



Mechanical Drawing

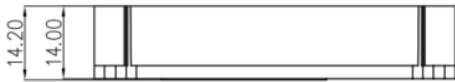
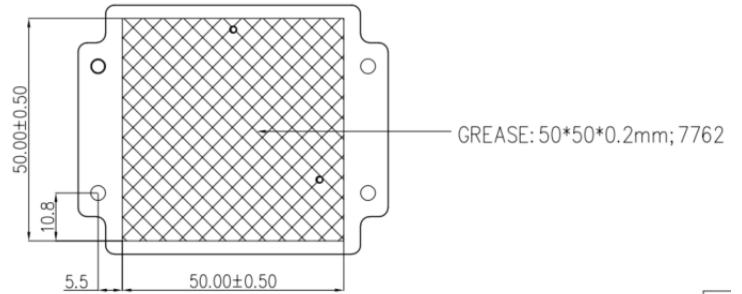
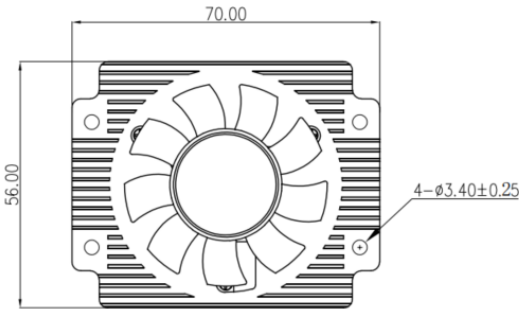
Xilinx Kria K26 SOM (Refer to Xilinx K26 SOM Datasheet – DS987)



NOTES:

1. ALL DIMENSION IN MM.
2. MASS: 58G.
3. *MOUNTING HOLES RESERVED FOR CUSTOMER COOLING INSTALLATION.
4. TOLERANCE UNLESS OTHERWISE SPECIFIED: ± 0.13 .

Heatsink with Fan



Order information

- EXMU-X261-00A1-C1 (Standard Temp.)**
- EXMU-X261 FPGA Machine Vision Solution Kit

Packing List

- **Xilinx Kria K26 SOM x1**
- **EXMU-X261 Carrier Board x1**
- **Heatsink with Fan x1**

Optional Accessories

- **EZ2N-0XL1-W1** (InnoAgent Out-of-Band Remote Management Module)
- **9Z9000000060** (12V DC Power Adapter)