



Main Features

- NVIDIA® Volta™ architecture with 384 NVIDIA® CUDA® cores and 48 Tensor cores
- Supports multiple AI frameworks including Tensorflow, Caffe, and PyTorch
- Support TensorRT, DeepStream SDK and other AI tools
- Support 5G, 4G, Wi-Fi, optional PoE interface expansion
- Fanless embedded design, DC 9 to 30V wide voltage input, complete I/O interface, supports wall hanging and rail installation

Product Overview

Coeus 3601T is a fan-less design box pc with NVIDIA® Jetson Xavier™ NX module. Accelerated computing of up to 21 teraflops provides sufficient performance to allow users to parallelize multiple modern neural networks and process data from multiple high-resolution sensors to meet the needs of complete artificial intelligence systems. For real-time, our NexRTOS + IGH can help you to develop EtherCAT Master application and control Servo drive/motor & Distributed I/O in real time. This is a very ideal solution that can quickly produce artificial intelligence product prototypes and accelerate the time to market.

AI environment

- Ubuntu18.04
- CUDA Toolkit
- cuDNN
- Multimedia
- VisionWorks
- OpenCV
- TensorRT
- VPI on target
- DeepStream
- Container Runtime

Specifications

CPU Support

- 6-core NVIDIA® Carmel ARM® v8.2 64-bit CPU

GPU

- 384-core NVIDIA® Volta™ GPU with 48 Tensor Cores

DL Accelerator

- 2 × NVDLA Engines

Vision Accelerator

- 7-Way VLIW Vision Processor

Memory

- 8GB 128-bit LPDDR4x

Storage

- 16G eMMC

I/O Interface-Front

- 2 × USB3.0
- 2 × RJ45LAN
- 1 × HDMI

- 1 × PWR indicator light
- 1 × SYS indicator light
- 1 × Line Out
- 1 × Power switch
- 2 × Antenna reservation

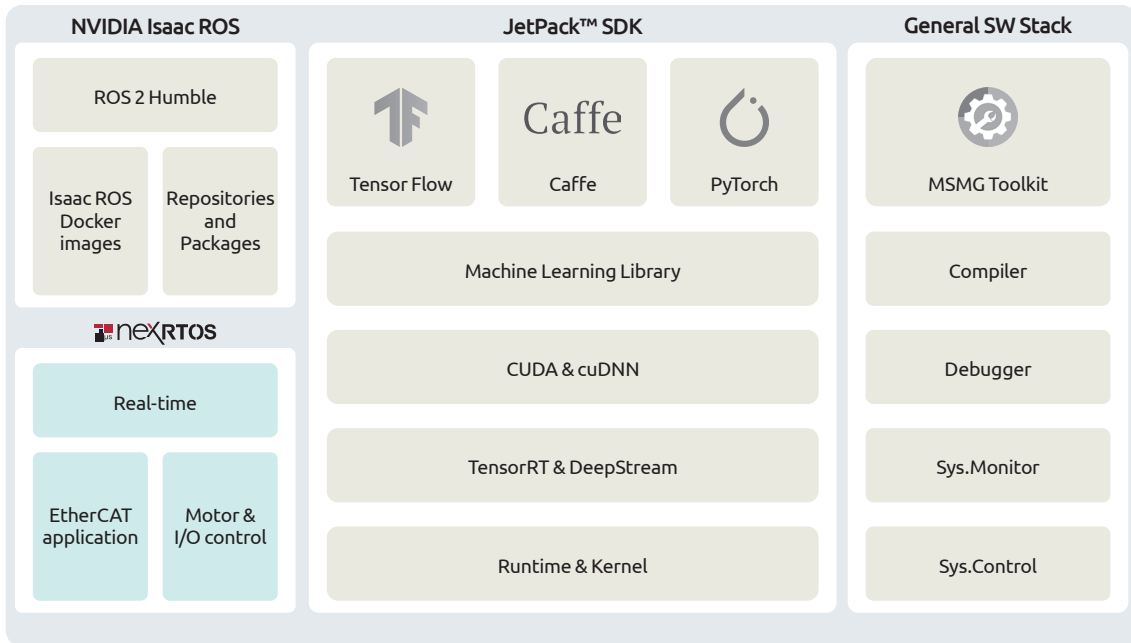
I/O Interface-Bottom

- 1 × Power connector
- 1 × GPIO (4DI & 4DO)
- 2 × COM (Non-full signal, 1*DB9 form lead, COM1 RS-232/422/485; COM2 RS-232)
- 1 × OTG
- 1 × Recovery
- 1 × Ground screw hole

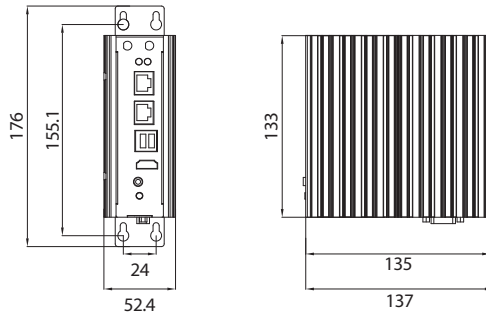
Expansion

- 1 × Micro SD
- 1 × M.2 M Key 2280
- 1 × M.2 B Key 3052 support 5G, 4G modules
- 1 × miniPCIe Full-size slot with mSATA support

Software Application Service



Dimension Drawing



Power Requirement

- DC 9 to 30V

Dimensions

- 52.4mm (W) x 137mm (D) x 176mm (H)

Installation

- wall-mounting and rail installation

Operating temperature

- -10°C to 55°C with air flow

Storage temperature

- -20°C to 80°C

Working humidity

- 40°C, 95% relative humidity, no condensation

Ordering Information

- **Coeus 3601T (P/N: 10JD3601T00XH)**

NVIDIA® Jetson Xavier™ NX, 2xLAN, 1xHDMI, 1xLin out, 4xDI, 4xDO, 1xRS232, 1xRS232/422/485, 1xOTG