

PPC-104T Series

Compact Design & High Efficient Touch Panel PC



PPC-104T

FEATURES

- 10.4" TFT LCD with Resistive Touchscreen
- DM&P Processor 933 MHz / 1 GHz Onboard
- 512MB/1GB/2GB System Memory Onboard
- Compact Flash Type I/II / SD Slot / SATA
- Fanless and Low Power Consumption
- Metal Chassis with Compact Design



CE



FCC



VCCI



VIBRATION



IP 65



TOUCH



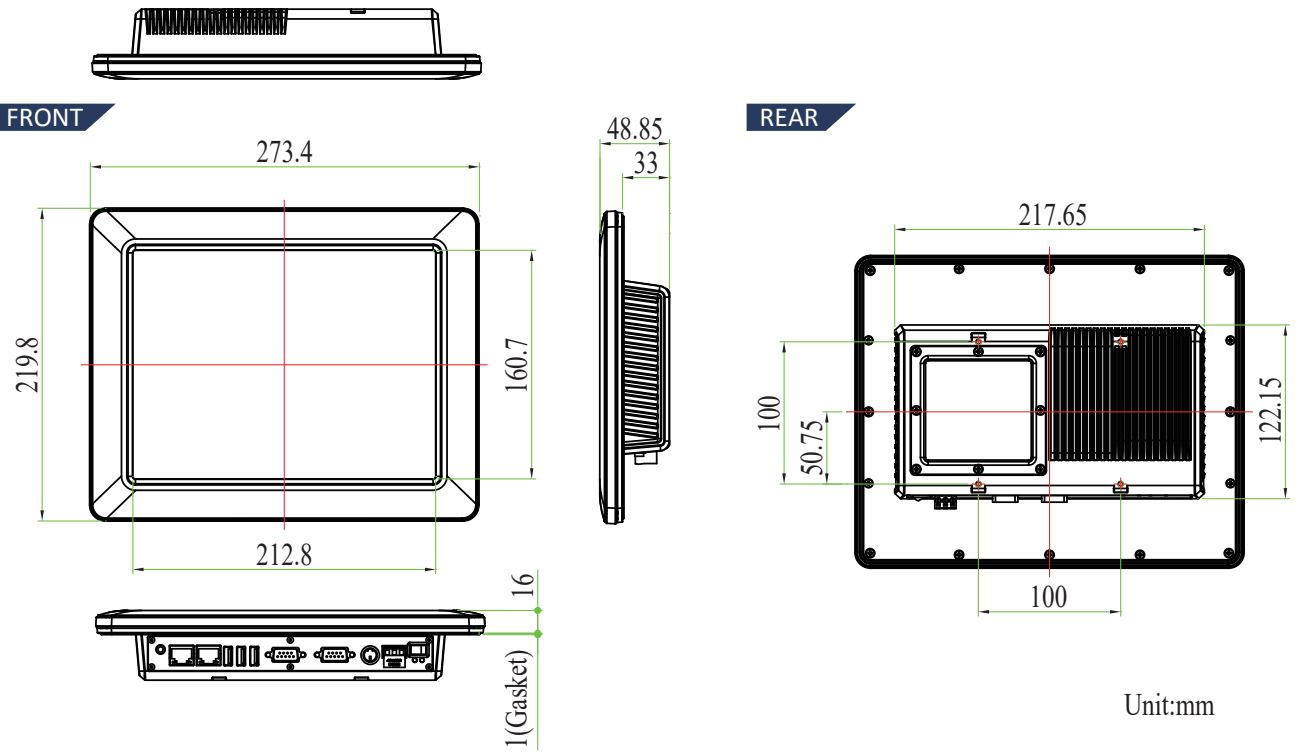
WI-FI



FANLESS

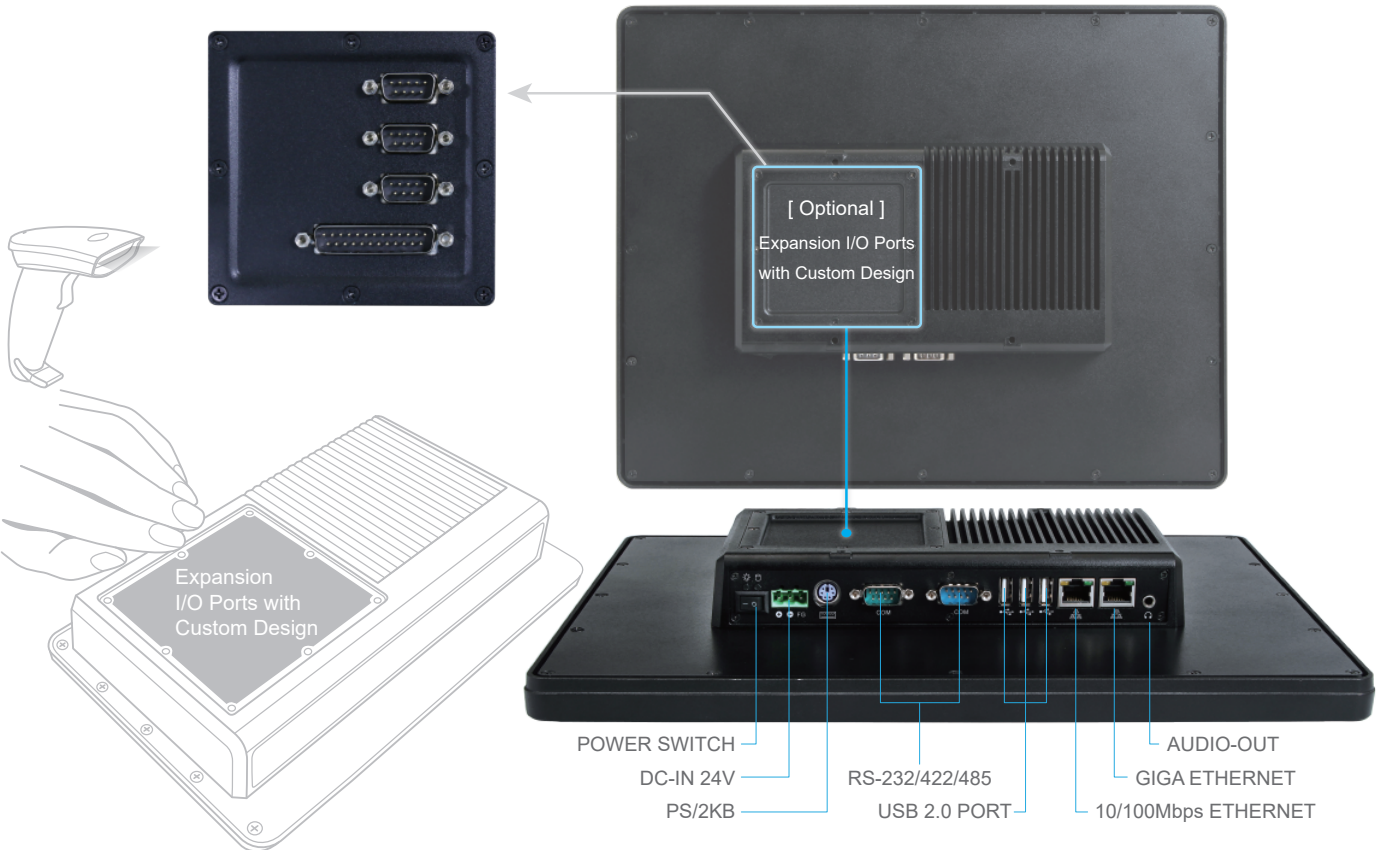
| Specification | Model | PPC-104T |
|-----------------------|--------------------|---|
| LCD Display | Type | SVGA TFT LCD |
| | Size | 10.4" |
| | Resolution (Pixel) | 800x600 |
| | Colors | 262,144 |
| | View Angle | Vertical 110° / Horizontal 140° |
| | Brightness | 500 cd/m2 |
| | Backlight life | 50,000 hrs |
| | Contrast Ratio | 500 : 1 |
| CPU | | DM&P Vortex86DX2 933MHz / Vortex86DX3 1GHz |
| Cache | | L1: 16KB I-Cache, 16KB D-Cache / L2: 256KB Cache |
| Memory | | 512MB / 1GB / 2GB DDRII Onboard |
| Watchdog Timer | | Software Programmable from 30.5u to 512 seconds x 2 sets |
| Serial Port | | RS-232 / 422 / 485 x 2 |
| USB Ports | | USB Ports (Version 2.0) x 3 |
| Ethernet | | Integrated 10 / 100 M Ethernet(PoE optional)/ Giga Ethernet(optional) |
| Audio | | HD Audio-Realtek ALC262 CODEC |
| Internal Drives | | Compact Flash Type I/II Slot, SD Slot, SATA |
| Touch Screen Type | | Analog Resistive |
| Expansion Slot | | WLAN (Optional) |
| Power Requirement | | +24VDC |
| Power Consumption | | +24VDC@1A |
| Operating Temperature | | 0 ~ +50°C (+32 ~ +122°F) / -20°C ~ +60°C (-4 ~ +140°F) |
| Storage Temperature | | -30 ~ +80°C (+86 ~ +176°F) |
| Operating Humidity | | 0% ~ 90% Relative Humidity, Non-Condensing |
| Operating System | | DOS, Linux, Windows CE, Win XP, Win 7 Pro, Win 7 Embedded |
| Dimensions | | 273.40x219.80x49 mm (10.76x8.65x1.93 inches) |
| Weight | | 1.75kg |
| Certificate | | CE, FCC, VCCI, Vibration, IP65 (Front Panel) |

DIMENSIONS & SPECIFICATION



I/O VIEW & REAR VIEW

Available for max. total 7 RS232 ports or 18-bit GPIO and 5 RS232 ports solution



Copyright © 2016 ICOP Technology Inc. All rights reserved.
 ☎ +886-2-8990-1933 📠 +886-2-8990-2045 📧 sales@icop.com.tw 🌐 www.icop.com.tw
 All trademarks appearing in this manuscript are registered trademark of their respective owners.
 All specifications are subject to change without notice.

