

Datasheet

2.5" SATA SSD

3IE3 series

- 2.5" SATA III solution for industrial field
- 7mm height mechanical design
- iSMART disk health monitoring
- High IOPS to enhance boot up timing
- DRAM-less design, no data loss concern
- iData Guard Protection



Introduction

Innodisk 2.5" SATA SSD 3IE3 is SATA III 6Gb/s Flash based disk with iSLC technology, which delivers excellent performance and reliability making it the ideal solution for a variety of applications, including embedded system, industrial computing, and enterprise field. 3IE3 2.5" SSD not only performs unmatched performance, but also designed with Innodisk owned technical knowhow to ensure the data integrity and highest levels of reliability.

2.5" SATA SSD

3IE3 series

Drawing

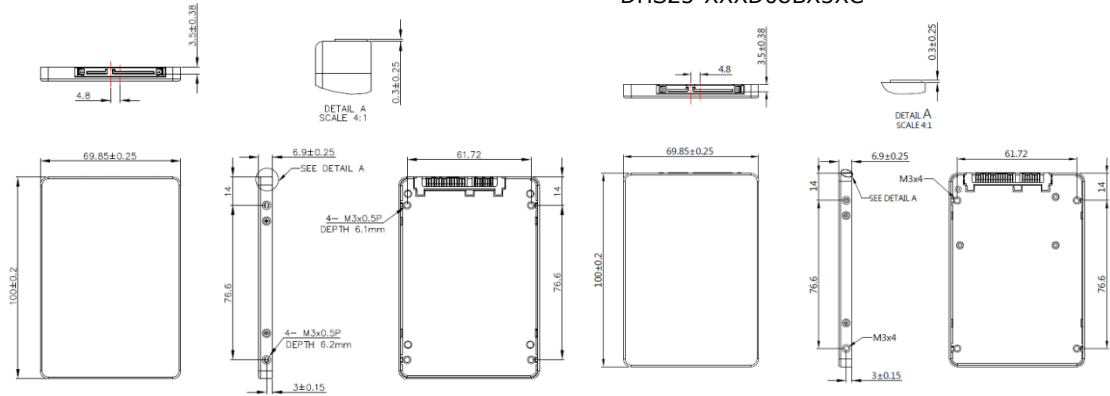
Contact us for more information about the 2.5" SATA SSD 3IE3

Innodisk is a service-driven provider of industrial embedded flash and DRAM storage products and technologies, with a focus on the industrial/embedded, aerospace and defense, and cloud computing industries.

* DHS25-XXXX08BX1XC

* DHS25-XXXX09BX1XC

* DHS25-XXXX08BX3XC



Specifications

Interface	SATA III
Flash Type	iSLC
Flash P/E Cycle Limit	20,000
Capacity	8GB-256GB
Max. Channels	4
Sequential R/W (MB/sec, max.)	440/240
Max. Power Consumption	2.71 W (5V x 542 mA)
Thermal Sensor	ST-Optional; WT-Supported
External DRAM Buffer	-
H/W Write Protect	-
Pin7 Power	-
ATA Security	Supported
S.M.A.R.T.	Supported
Dimension (WxLxH)	69.85 X 100.10 X 7.0 mm
Environment	Vibration: 20G @7~2000Hz Shock: 1500G @ 0.5ms Storage Temperature: -55°C ~ +95°C MTBF: 3 million hours

Headquarters (Taiwan)

5F., No.237, Sec. 1, Datong Rd.,
Xizhi Dist., New Taipei City,
Taiwan (R.O.C.)
Tel: +886-2-77033000
Email: sales@innodisk.com

Branch Offices:

USA
usasales@innodisk.com
+1-510-770-9421
Europe
eusales@innodisk.com
+31-040-282-1818
Japan
jpsales@innodisk.com
+81-3-6667-0161
China
sales_cn@innodisk.com
+86-755-21673689
www.innodisk.com

© 2016 Innodisk Corporation.
All right reserved. Specifications
are subject to change without
prior notice.

20160508

Ordering Information

Operation Temp.	8GB	16GB	32GB	64GB	128GB	256GB
Standard Grade (0°C ~ +70°C)	DHS25-08GD09BC1SC	DHS25-16GD09BC1DC	DHS25-32GD08BC3QC	DHS25-64GD08BC3QC	DHS25-A28D08BC3QC	DHS25-B56D08BC1QC
	DHS25-08GD09BC1DC	DHS25-16GD08BC3QC				
Industrial Grade (-40°C ~ +85°C)	DHS25-08GD09BW1SC	DHS25-16GD09BW1DC	DHS25-32GD08BW3QC	DHS25-64GD08BW3QC	DHS25-A28D08BW3QC	DHS25-B56D08BW1QC
	DHS25-08GD09BW1DC	DHS25-16GD08BCW3QC				

innodisk

www.innodisk.com