

UBC-330

TI Sitara AM3352 Cortex-A8 RISC box



Features

- TI Sitara AM3352 Cortex A8 1.0GHz
- On-board DDR3-800 512MB & eMMC NAND flash 4GB
- Support 4xGPI/ 4xGPO w/ESD & Isolation
- 6x UART w/ESD protection
- Support 2x Gigabit Ethernet ports
- Supports Linux Kernel v3.2.0
- Operation temperature 0 ~ 55° C
- HW WTD for system protection



Introduction

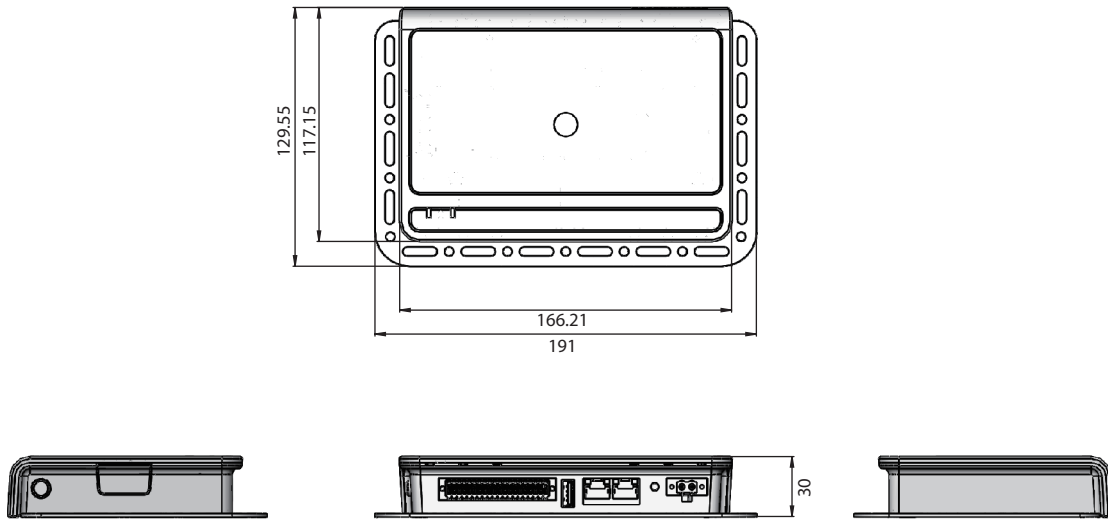
UBC-330 is a RISC complete box which integrated TI Sitara AM3352 Cortex-A8 processor. It offers 2x gigabit ethernet, 6x serials, 4x GPI and 4x GPO. For the industrial application, the UART & GPIO feature a rugged ESD and isolation protection and it can protect system from unstable power damage. Otherwise, UBC-330 also has multiple power input and operation temperature support. It is an ideal solution for automation control such as smart grid, industrial and machinery automation applications.

Specifications

Form Factor		Computing Box	
Processor System	CPU	TI Sitara AM3352 Cortex-A8 1.0GHz	
	Capacity	On-board DDR3 800MHz 512MB	
	Flash	4 GB eMMC NAND Flash for O.S. and 4 MB SPI NOR Flash for ADV Loader	
Ethernet	Transceiver	RTL 8211	
	Speed	2x 10/100/1000 Mbps	
WatchDog Timer		MSP430G2202 (time out:1~6553s,default 60s/power on/off 1s)	
I/O	USB	1 x USB2.0 host	
	UART	6 (6 x RS232) The 6 UART w/ ESD protection (Contact 4KV/ Air 8KV)	
	CAN	CAN bus version 2.0 A and B 4x GPI/4x GPO (w/ESD & isolation, optional)	
	GPIO	GPI: ESD protection: Contact 4KV/ Air 8KV Isolation: 0 ~ 50V _{DC} input and 10KHz speed	GPO: ESD protection: Contact 4KV/ Air 8KV Isolation: 5 ~ 40V _{DC} output and 10KHz speed (200mA max/channel sink current)
		I ² C	1
	Button		1x Reset
Expansion	SD Socket	1x SD slot	
Power	Power Supply Voltage	+12/19/24V DC-In	
	Power Type	Two poles lockable DC-in	
	Power Consumption	2.8W (Idle)	
Environment	Operational Temperature	0 ~ 55°C	
	Operating Humidity	5%~95% Relative Humidity, non-condensing	
Mechanical	Dimensions (W x D x H)	117 x 166 x 30 mm	
Operating System		Linux kernel v3.2.0	
Certifications		CE FCC/CCC Class B	

Dimensions

Unit: mm



Ordering Information

Part Number	CPU	Memory	eMMC	SD	CAN	UART	GPIO	Isolation	ESD	USB Host	LAN	Operation Temperature
UBC-330NS-JLA1E	TI AM3352 1.0GHz	512MB	4GB	1	1	6	8	Serial: No GPIO: Yes	Serial: Yes GPIO: Yes	1	2	0 ~ 55° C

Packing List

Part Number	Description
UBC-330NS-JLA1E	UBC-330 AM3352 1GHz 512MB Box
1652006830-01	20x2P 2.54mm 180D 0156-1A40

Optional Accessories

Part Number	Description
96PSA-A36W12R1	ADP A/D 100-240V 36W 12V
1700023307-01	A cable DC JACK/Plug-in 1*2P-5.0 10cm RSB-4220
170203183C	Power Cord 3P Europe (WS-010+WS-083)183cm
SQF-ISDS1-4G-82C	SQF SD C6 SLC 4G, 1CH
170203180A	Power Cord 3P UK 2.5A/3A 250V 1.83M
1700001524	Power Cord 3P UL 10A 125V 180cm

External I/O

