

PCI-1240

**4-Axis PCI Stepping/Pulse-type
Servo Motor Control Card**

PCI-1240U

**4-Axis Universal PCI Stepping/
Pulse-type Servo Motor Control
Card**

User Manual

Copyright

This documentation and the software included with this product are copyrighted 2005 by Advantech Co., Ltd. All rights are reserved. Advantech Co., Ltd. reserves the right to make improvements in the products described in this manual at any time without notice.

No part of this manual may be reproduced, copied, translated or transmitted in any form or by any means without the prior written permission of Advantech Co., Ltd. Information provided in this manual is intended to be accurate and reliable. However, Advantech Co., Ltd. assumes no responsibility for its use, nor for any infringements of the rights of third parties which may result from its use.

Acknowledgments

PC-LabCard is a trademark of Advantech Co., Ltd. IBM and PC are trademarks of International Business Machines Corporation. MS-DOS, Windows[®], Microsoft[®] Visual C++ and Visual BASIC are trademarks of Microsoft[®] Corporation. Intel[®] and Pentium[®] are trademarks of Intel Corporation. Delphi and C++Builder are trademarks of Inprise Corporation.

CE notification

The PCI-1240/PCI-1240U, developed by ADVANTECH CO., LTD., has passed the CE test for environmental specifications when shielded cables are used for external wiring. We recommend the use of shielded cables. This kind of cable is available from Advantech. Please contact your local supplier for ordering information.

Part No. 2003124001 Edition 2.1

Printed in Taiwan October 2006

Product Warranty (2 years)

Advantech warrants to you, the original purchaser, that each of its products will be free from defects in materials and workmanship for two years from the date of purchase.

This warranty does not apply to any products which have been repaired or altered by persons other than repair personnel authorized by Advantech, or which have been subject to misuse, abuse, accident or improper installation. Advantech assumes no liability under the terms of this warranty as a consequence of such events.

Because of Advantech's high quality-control standards and rigorous testing, most of our customers never need to use our repair service. If an Advantech product is defective, it will be repaired or replaced at no charge during the warranty period. For out-of-warranty repairs, you will be billed according to the cost of replacement materials, service time and freight. Please consult your dealer for more details.

If you think you have a defective product, follow these steps:

1. Collect all the information about the problem encountered. (For example, CPU speed, Advantech products used, other hardware and software used, etc.) Note anything abnormal and list any onscreen messages you get when the problem occurs.
2. Call your dealer and describe the problem. Please have your manual, product, and any helpful information readily available.
3. If your product is diagnosed as defective, obtain an RMA (return merchandise authorization) number from your dealer. This allows us to process your return more quickly.
4. Carefully pack the defective product, a fully-completed Repair and Replacement Order Card and a photocopy proof of purchase date (such as your sales receipt) in a shippable container. A product returned without proof of the purchase date is not eligible for warranty service.
5. Write the RMA number visibly on the outside of the package and ship it prepaid to your dealer.

Technical Support and Assistance

- Step 1. Visit the Advantech web site at **www.advantech.com/support** where you can find the latest information about the product.
- Step 2. Contact your distributor, sales representative, or Advantech's customer service center for technical support if you need additional assistance. Please have the following information ready before you call:
 - Product name and serial number
 - Description of your peripheral attachments
 - Description of your software (operating system, version, application software, etc.)
 - A complete description of the problem
 - The exact wording of any error messages

Packing List

Before setting up the system, check that the items listed below are included and in good condition. If any item does not accord with the table, please contact your dealer immediately.

- PCI-1240 or PCI-1240U card
- Companion CD-ROM (DLL driver included)
- User Manual

Safety Precaution - Static Electricity

Follow these simple precautions to protect yourself from harm and the products from damage.

1. To avoid electrical shock, always disconnect the power from your PC chassis before you work on it. Don't touch any components on the CPU card or other cards while the PC is on.
2. Disconnect power before making any configuration changes. The sudden rush of power as you connect a jumper or install a card may damage sensitive electronic components.

Contents

Chapter 1	Introduction	2
1.1	Features	2
1.2	Applications	5
1.3	Installation Guide	6
1.4	Accessories	6
Chapter 2	Installation	8
2.1	Unpacking	8
2.2	Driver Installation	9
	Figure 2.1:The Setup Screen of Advantech Automation Software 10	
	Figure 2.2:Different options for Driver Setup	11
2.3	Hardware Installation	12
Chapter 3	Signal Connections	14
3.1	I/O Connector Pin Assignments	14
3.2	Location of Jumpers and DIP switch	14
	Figure 3.1:I/O Connector Pin Assignments for PCI-1240 & PCI-1240U 15	
	Table 3.1:PCI-1240/PCI-1240U I/O Connector Signal Description (part 1) 16	
	Table 3.1:PCI-1240/PCI-1240U I/O Connector Signal Description (part 2) 17	
	Table 3.1:PCI-1240/PCI-1240U I/O Connector Signal Description (part 3) 18	
	Figure 3.2:Location of Jumpers and DIP switch on PCI-1240/PCI-1240U 19	
	Table 3.2:BoardID register	19
	Table 3.3:BoardID setting	19
3.3	Output Pulse Definition (nP+P, nP+N, nP-P, nP-N).....	20
	Figure 3.3:Output Signal Loop for Drive Pulses	20
	Table 3.4:Jumper table of JP1~8	20
	Figure 3.4:Photo Coupler Input Interface	21
	Figure 3.5:Line Driver Input Interface	21
3.4	General Purposed Output (nOUT7 ~ nOUT4).....	22
	Figure 3.6:Circuit Diagram for General Purposed Output 22	
3.5	Over Traveling Limit Switch Input (nLMT+, nLMT-)...	22
	Figure 3.7:Circuit Diagram for Movement Limit Input Signals 22	
	Figure 3.8:Example of photo sensor used in the limit input signal 23	
3.6	Deceleration/Instantaneous Stop Switch Input (nIN1 ~ 3) .	23
	Figure 3.9:Circuit Diagram of Deceleration/Instantaneous Stop Input	

Signal 23

3.7	General Purposed Input for Servo Drives (nINPOS, nALARM)24	
	Figure 3.10:Input Signal for Servo Motor	24
3.8	Encoder Input (nECAP, nECAN, nECBP, nECBN, nINOP, nINON)25	
	Figure 3.11:Circuit Diagram of Encoder Feedback	25
	Figure 3.12:Example of Connection Diagram for Differential-output Line Driver	26
	Figure 3.13:Example of Connection for Open Collector Output Encoder	26
3.9	External Pulse Control Input (nEXOP+, nEXOP-).....	27
	Figure 3.14:Circuit Diagram of the External Drive Operation Signals	27
	Figure 3.15:Example of Connecting to Jog	27
3.10	Emergency Stop Input (EMG)	28
	Figure 3.16:Circuit Diagram of Emergency Stop Input Signal	28
	Table 3.5:Jumper Settings of JP9	28
3.11	External Power Input (VEX).....	28
3.12	Interrupt Setting.....	29
	Figure 3.17:Circuit diagram of interrupt setting	29
3.13	Connection Examples for Motor Drivers	30
3.13.1	Connection to Step Motor Drivers	30
	Figure 3.18:Example of Connecting to KR515M Drive ..	30
	Figure 3.19:Example of Connecting to UPK Step Drive .	31
3.13.2	Connection to Servo Motor Drivers	32
	Figure 3.20:Example of MINAS X series AC servo Motor Drive	32
3.14	Field Wiring Considerations	33
3.15	I/O Signal Timing.....	34
3.15.1	Power On RESET	34
	Figure 3.21:Timing Diagram of Power On RESET	34
3.15.2	Individual Axis Driving	34
	Figure 3.22:Timing diagram of Individual Axis Driving	34
3.15.3	Interpolation Driving	35
	Figure 3.23:Timing diagram of Interpolation Driving .	35
3.15.4	Input Pulse Timing	35
	Figure 3.24:Timing diagram of Quadrature Pulse of Encoder Input	35
	Figure 3.25:Timing diagram of UP/DOWN Pulse Input .	35
3.15.5	Instantaneous Stop Timing	36
	Figure 3.26:Timing diagram of External Instantaneous	

	Stop Signal 36	
	Figure 3.27:Timing diagram of Instantaneous Stop Instruction 36	
3.15.6	Deceleration Stop Timing	36
	Figure 3.28:Timing diagram of External Deceleration/ Stop Signal 36	
	Figure 3.29:Timing diagram of Deceleration/Stop Instruction 36	
3.16	TTL Level Position Compare Output (PCI-1240U only)37	
	Table 3.6:Jumper Settings of JP10	37
Appendix A	Specifications	40
A.1	Axes.....	40
A.2	Digital Input/Output.....	41
A.3	Input Pulse for Encoder Interface.....	42
A.4	External Signals Driving.....	42
A.5	Other Functions.....	43
A.6	General.....	43
Appendix B	Block Diagram.....	46
Appendix C	Register Structure and Format	48
C.1	Overview	48
C.2	I/O Port Address Map	48
	Table C.1:PCI-1240/PCI-1240U WRITE register function 49	
	Table C.2:PCI-1240/PCI-1240U WRITE register format 50	
	Table C.3:PCI-1240/PCI-1240U READ register function 51	
	Table C.4:PCI-1240/PCI-1240U READ register format . 52	
C.3	MCX314/MCX314AS WRITE Registers: WR0 ~ WR7 53	
C.4	Clear Interrupt Register: CLRINT	53
	Table C.5:Clear Interrupt Register: CLRINT - Write BASE +10 53	
C.5	Pulse Generator Mode/Status Register: PGM/PGSTA ... 53	
	Table C.6:Pulse Generator Mode/Status Register: PGM/ PGMSTA - Write/Read BASE +14 54	
	Table C.7:Pulse Generator Mode - PGMn3	54
	Table C.8:Pulse Generator Signal Connection Mode .. 55	
	Table C.9:Driving Axis for Software Programmable Mode 55	
C.6	MCX314/MCX314AS READ Registers: RR0 ~ RR7.... 55	
C.7	Interrupt Status Register: INTSTA	56
	Table C.10:Interrupt Status Register: INTSTA - Read BASE +10 56	
C.8	Board ID Register: BDID.....	56
	Table C.11:Board ID Register: BDID - Read BASE +12 56	

Appendix D	Cable Pin Assignments	58
Appendix E	Wiring with Third-Party Motor Drivers	60
	Figure E.1:Wiring Diagram with Mitsubishi MR-J2S Series Motor Driver	60
	Figure E.2:Wiring Diagram with Oriental LIMO EZMC Series Motor Driver	61
	Figure E.3:Wiring Diagram with Panasonic MINAS-A Series Motor Driver	62
	Figure E.4:Wiring Diagram with Yaskawa SGDM Series Motor Driver	63

Introduction

This chapter introduces PCI-1240 and PCI-1240U and lists their features and detailed specifications.

Chapter 1 Introduction

PCI-1240 and PCI-1240U 4-Axis Stepping/Pulse-type Servo Motor Control Cards are designed for general-purpose extreme motion applications. The cards are high-speed 4-Axis motion control cards for the PCI (1240)/Universal PCI (1240U) bus that simplifies stepping and pulse-type servo motor control, giving you added performance from your motors.

The cards' intelligent NOVA MCX314/MCX314AS motion ASIC builds in a variety of motion control functions, such as 2/3-axis linear interpolation, 2-axis circular interpolation, T/S-curve acceleration/deceleration rate and more. In addition, the next generation chip, MCX314AS is lead-free and not only increases the 2/3-axis linear interpolation range and the number of output pulses, but also provides the "Go Home" function.

PCI-1240 and PCI-1240U performs these motion control functions without processor load during driving. For advanced applications, we supply Windows DLL drivers and user-friendly examples to decrease your programming load. Moreover, through a free bundled PCI-1240 motion utility, you can complete configuration and diagnosis easily.

1.1 Features

PCI-1240/PCI-1240U provides users with the most requested motor control functions as seen below:

- Independent 4-axis motion control
- Support hand wheel and jog function
- 2/3-axis linear interpolation function
- 2-axis circular interpolation function
- Continuous interpolation function
- Programmable T/S-curve acceleration and deceleration
- Up to 4MPPS pulse output for each axis
- Two pulse output types: Up/Down or Pulse/Direction
- Up to 1 MHz encoder input for each axis
- Two encoder pulse input types: A/B phase or Up/Down
- Position management and software limit switch function
- BoardID Switch
- Free Motion Utility bundled for configuration and diagnosis

- "Go home" functions (PCI-1240U only)
- Universal PCI Bus for both 3.3 and 5 V PCI slots (PCI-1240U only)

The Advantech PCI-1240/PCI-1240U offers the following main features:

Individual Control for 4 Axes

Each of the four axes has identical function capabilities, and is controlled by the same method of operation with constant speed, trapezoidal or S-curve driving.

Programmable T/S-curve Acceleration and Deceleration

Each of four axes can be preset individually with S-curve or trapezoidal acceleration/deceleration rates. When using S-curve acceleration to control driving speed, output pulse is generated in parabolic-shaped acceleration or deceleration curves, and the triangular curve phenomenon will not occur through the NOVA MCX314/MCX314AS-motion ASIC design concept.

Linear and Circular Interpolation

Any two or three axes can be selected to execute linear interpolation driving and any two axes can be selected to execute circular arc interpolation control. The interpolation speed range is from 1 PPS to 4 MPPS.

Powerful position management function

Each axis is equipped with a 32-bit logical position counter and a 32-bit real position counter. The logical position counter counts the axis' pulse output number and the real position counter is recorded with the feedback pulse from the outside encoder or linear scale.

Speed Control

The speed range of the pulse output is from 1PPS to 4MPPS for constant speed, trapezoidal or S-curve acceleration/deceleration driving. The accuracy of the frequency of the pulse output is less than +/- 0.1% (at CLK=16 MHz). The speed of driving pulse output can be freely changed during the driving.

Bit Pattern Interpolation

Any 2 or 3 axes can be selected to perform the bit pattern interpolation, and the interpolation data is calculated by CPU; CPU writes the bit data into MCX314/MCX314AS. Then, MCX314/MCX314AS outputs pulses continuously at the preset driving speed. So, the user can process any interpolation curve by this mode.

Continuous Interpolation

Different interpolation methods can be used continuously, for example: Linear interpolation→Circular interpolation→Linear interpolation.

The maximum driving speed of performing continuous interpolation is 2 MPPS.

Constant Vector Speed Control

This function performs a constant vector speed. During the interpolation driving, MCX314/MCX314AS can set a 1.414 times pulse cycle for 2-axis simultaneous pulse output, and a 1.732-time pulse cycle for 3-axis simultaneous pulse output that keep the constant speed during driving.

Position Control

Each axis has a 32-bit logic position counter and a 32-bits real position counter. The logic position counter counts the output pulse numbers, and the real position counter counts the feedback pulse numbers from the external encoder or linear scale.

Compare Register and Software Limit

Each axis has two 32-bit compare registers for logical position counter and real position counter. The comparison result can be read from the status registers. The comparison result can be notified by an interrupt signal. These registers can be also functioned as software limits.

Driving by External Signal

It is possible to control each axis by external signals. The +/- direction fixed pulse driving and continuous driving can be also performed through the external signals. This function is used for JOG or teaching modes, and will share the CPU load.

Input/ Output Signal

Each axis has 4 points of input signals to perform deceleration and stop in driving. These input signals are for high-speed near-by home search, home search and z-phase search during the home returning. Each axis is with 8 output points for general output.

Servo Motor Feedback Signals

Each axis includes input pins for servo feedback signals such as in-positioning, close loop positioning control and servo alarm.

Interrupt Signals

Interrupt signals can be generated when: (1). The start / finish of a constant speed drive during the trapezoidal driving, (2). The end of driving, and (3). The compare result once higher / lower the border-lines of the position counter range. An interrupt signal can be also generated during the interpolation driving.

Real Time Monitoring

During the driving, the present status such as logical position, real position, drive speed, acceleration / deceleration, status of accelerating / decelerating and constant driving can be read.

1.2 Applications

- Precise X-Y-Z position control
- Precise rotation control
- Packaging and assembly equipment
- Machine control with up to 4 axes
- Semiconductor pick and place and testing equipment
- Other stepping/pulse-type servo motor applications

1.3 Installation Guide

Before you install your PCI-1240/PCI-1240U card, please make sure you have the following necessary components:

- PCI-1240 or PCI-1240U DAS card
- PCI-1240/PCI-1240U's User Manual
- Driver Software
Advantech PCI-1240/PCI-1240U DLL drivers (Included in the companion CD-ROM)
- Motion Utility
Advantech PCI-1240/PCI-1240U Motion Utility (Included in the companion CD-ROM)
- PCL-10251 Wiring cable
- 2pcs ADAM-3952 Wiring board
- Personal computer or workstation with a PCI-bus slot

After you have got the necessary components and maybe some accessories for enhanced operation of your Motion card, you can then begin the installation procedure.

1.4 Accessories

Advantech offers a complete set of accessory products to support the PCI-1240/PCI-1240U card. These accessories include:

Wiring Cable

- PCL-10251 The PCL-10251 shielded cable is specially designed for PCI-1240/PCI-1240U card to provide higher resistance to noise. To achieve a better signal quality, the signal wires are twisted in such away as to form a “twisted-pair cable”, reducing cross talk and noise from other signal sources.

Wiring Boards

- ADAM-3952 The ADAM-3952 is a 50-pin SCSI wiring terminal module for DIN-rail mounting. This terminal module can allow easy yet reliable access to individual pin connections for the PCI-1240/PCI-1240U card.

Installation

This chapter gives users a package item checklist, proper instructions about unpacking and step-by-step procedures for both driver and card installation.

Chapter 2 Installation

2.1 Unpacking

After receiving your PCI-1240/PCI-1240U package, please inspect its contents first. The package should contain the following items:

- ☑ PCI-1240/PCI-1240U card
- ☑ Companion CD-ROM (DLL driver included)
- ☑ User's Manual

The PCI-1240/PCI-1240U card harbors certain electronic components vulnerable to electrostatic discharge (ESD). ESD could easily damage the integrated circuits and certain components if preventive measures are not carefully paid attention to. **Before removing the card from the anti-static plastic bag, you should take following precautions to ward off possible ESD damage:**

- Touch the metal part of your computer chassis with your hand to discharge static electricity accumulated on your body. Or one can also use a grounding strap.
- Touch the antistatic bag to a metal part of your computer chassis before opening the bag.
- Take hold of the card only by the metal bracket when removing it out of the bag.

After taking out the card, first you should:

- Inspect the card for any possible signs of external damage (loose or damaged components, etc.). If the card is visibly damaged, please notify our service department or our local sales representative immediately. Avoid installing a damaged card into your system.

Also pay extra caution to the following aspects to ensure proper installation:



Avoid physical contact with materials that could hold static electricity such as plastic, vinyl and Styrofoam.



Whenever you handle the card, grasp it only by its edges. DO NOT TOUCH the exposed metal pins of the connector or the electronic components.

Note *Keep the antistatic bag for future use. You might need the original bag to store the card if you have to remove the card from PC or transport it elsewhere.*

2.2 Driver Installation

We recommend you to install the driver before you install the PCI-1240/PCI-1240U card into your system, since this will guarantee a smooth installation process.

The 32-bit DLL driver Setup program for the card is included on the companion CD-ROM that is shipped with your DAS card package. Please follow the steps below to install the driver software:

Step 1: Insert the companion CD-ROM into your CD-ROM drive.

Step 2: The Setup program will be launched automatically if you have the autoplay function enabled on your system. When the Setup Program is launched, you'll see the following Setup Screen.

Note *If the autoplay function is not enabled on your computer, use Windows Explorer or Windows Run command to execute SETUP.EXE on the companion CD-ROM.*



Figure 2.1: The Setup Screen of Advantech Automation Software

Step 3: Select the PCI-1240/PCI-1240U DLL Drivers option.

Step 4: Select the proper Windows OS option according to your operating system. Just follow the installation instructions step by step to complete your DLL driver setup.

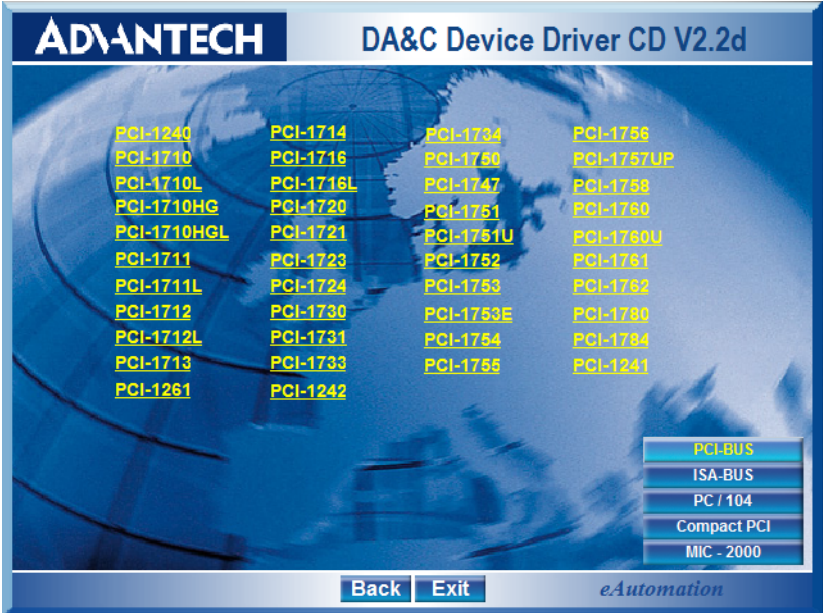


Figure 2.2: Different options for Driver Setup

Step 5: Then setup the PCI-1240/PCI-1240U Motion Utility automatically.

For further information on driver-related issues, an online version of Software Manual is available by accessing the following path:

Start\Advantech Automation\Motion\PCI-1240

The example source codes could be found under the corresponding installation folder such as the default installation path:

\Program Files\Advantech\Motion\PCI-1240\Examples

2.3 Hardware Installation

Note *Make sure you have installed the driver first before you install the card (please refer to 2.2 Driver Installation)*

After the DLL driver installation is completed, you can now go on to install the PCI-1240/PCI-1240U card in any PCI slot on your computer. But it is suggested that you should refer to the computer user manual or related documentations if you have any doubt. Please follow the steps below to install the card on your system.

Step 1: Turn off your computer and unplug the power cord and cables.



TURN OFF your computer before installing or removing any components on the computer.

- Step 2: Remove the cover of your computer.
- Step 3: Remove the slot cover on the back panel of your computer.
- Step 4: Touch the metal part on the surface of your computer to neutralize the static electricity that might be on your body.
- Step 5: Insert the PCI-1240/PCI-1240U card into a PCI slot. Hold the card only by its edges and carefully align it with the slot. Insert the card firmly into place. Use of excessive force must be avoided, otherwise the card might be damaged.
- Step 6: Fasten the bracket of the PCI card on the back panel rail of the computer with screws.
- Step 7: Connect appropriate accessories (100-pin cable, wiring terminals, etc. if necessary) to the PCI card.
- Step 8: Replace the cover of your computer chassis. Re-connect the cables you removed in step 2.
- Step 9: Plug in the power cord and turn on the computer.

Signal Connections

This chapter provides useful information about how to connect input and output signals to the PCI-1240/PCI-1240U via the I/O connector.

Chapter 3 Signal Connections

3.1 I/O Connector Pin Assignments

The I/O connector on the PCI-1240/PCI-1240U is a 100-pin connector that enables you to connect to accessories with the PCL-10251 shielded cable.

Figure 3.1 shows the pin assignments for the 100-pin I/O connector on the PCI-1240/PCI-1240U, and Table 3-1 shows its I/O connector signal description.

Note *The PCL-10251 shielded cable is especially designed for the PCI-1240/PCI-1240U to reduce noise in the analog signal lines. Please refer to Section 1.4 Accessories.*

3.2 Location of Jumpers and DIP switch

Figure 3.2 shows the names and locations of jumpers and DIP switch on the PCI-1240/PCI-1240U. There are nine jumpers, JP1 to JP9 on the PCI-1240/PCI-1240U. Please refer to Section 3.4 Output Pulse Definition and Section 3.11 Emergency Stop Input for more information about JP1~8 and JP9 configurations.

BoardID Switch

PCI-1240 and PCI-1240U have a built-in DIP switch (SW1), which is used to define each card's unique identifier for the PCI-1240/PCI-1240U Motion Utility. You can determine the BoardID identifier on the register as shown in Table 3-2. When there are multiple cards on the same chassis, this BoardID setting is useful for identifying each card's unique device number.

We set the BoardID switch of PCI-1240/PCI-1240U to 0 at the factory. If you need to adjust it to another number, set SW1 by referring to Table 3.3.

YP-N	50	100	UP-N
YP-P	49	99	UP-P
YP+N	48	98	UP+N
YP+P	47	97	UP+P
YOUT7	46	96	UOUT7
YOUT6	48	95	UOUT6
YOUT5	44	94	UOUT5
YOUT4	43	93	UOUT4
GND	42	92	GND
XP-N	41	91	ZP-N
XP-P	40	90	ZP-P
XP+N	39	89	ZP+N
XP+P	38	88	ZP+P
XOUT7	37	87	ZOUT7
XOUT6	36	86	ZOUT6
XOUT5	35	85	ZOUT5
XOUT4	34	84	ZOUT4
GND	33	83	GND
YEXOP-	32	82	UEXOP-
YEXOP+	31	81	UEXOP+
XEXOP-	30	80	ZEXOP-
XEXOP+	29	79	ZEXOP+
YINON	28	78	UINON
YINOP	27	77	UINOP
YECBN	26	76	UECBN
YECBP	25	75	UECBP
YECAN	24	74	UECAN
YECAP	23	73	UECAP
Y_ALARM	22	72	U_ALARM
Y_INPOS	21	71	U_INPOS
XINON	20	70	ZINON
XINOP	19	69	ZINOP
XECBN	18	68	ZECBN
XECBP	17	67	ZECBP
XECAN	16	66	ZECAN
XECAP	15	65	ZECAP
X_ALARM	14	64	Z_ALARM
X_INPOS	13	63	Z_INPOS
Y_IN3	12	62	U_IN3
Y_IN2	11	61	U_IN2
Y_IN1	10	60	U_IN1
YLMT-	9	59	ULMT-
YLMT+	8	58	ULMT+
X_IN3	7	57	Z_IN3
X_IN2	6	56	Z_IN2
X_IN1	5	55	Z_IN1
XLMT-	4	54	ZLMT-
XLMT+	3	53	ZLMT+
EMG	2	52	NC
VEX	1	51	VEX

Figure 3.1: I/O Connector Pin Assignments for PCI-1240 & PCI-1240U

Table 3.1: PCI-1240/PCI-1240U I/O Connector Signal Description (part 1)

Signal Name	Reference	Direction	Description
VEX	-	Input	External Power (12~24VDC)
EMG	-	Input	Emergency Stop (for all axes)
XLMT+	-	Input	+ Direction Limit at X axis
XLMT-	-	Input	- Direction Limit at X axis
XIN1	-	Input	Deceleration/Instant Stop at X axis
XIN2	-	Input	Deceleration/Instant Stop at X axis
XIN3	-	Input	Deceleration/Instant Stop at X axis
YLMT+	-	Input	+ Direction Limit at Y axis
YLMT-	-	Input	- Direction Limit at Y axis
YIN1	-	Input	Deceleration/Instant Stop at Y axis
YIN2	-	Input	Deceleration/Instant Stop at Y axis
YIN3	-	Input	Deceleration/Instant Stop at Y axis
XINPOS	-	Input	In-Position input at X axis
XALARM	-	Input	Servo Error at X axis
XECAP	-	Input	Encoder Phase A at X axis
XECAN	-	Input	Encoder Phase A at X axis
XECBP	-	Input	Encoder Phase B at X axis
XECBN	-	Input	Encoder Phase B at X axis
XINOP	-	Input	Encoder Phase Z at X axis
XINON	-	Input	Encoder Phase Z at X axis
YINPOS	-	Input	In-Position input at Y axis
YALARM	-	Input	Servo Error at Y axis
YECAP	-	Input	Encoder Phase A at Y axis
YECAN	-	Input	Encoder Phase A at Y axis
YECBP	-	Input	Encoder Phase B at Y axis
YECBN	-	Input	Encoder Phase B at Y axis
YINOP	-	Input	Encoder Phase Z at Y axis
YINON	-	Input	Encoder Phase Z at Y axis
XEXOP+	-	Input	Jog at the + Direction of X axis
XEXOP-	-	Input	Jog at the - Direction of X axis
YEXOP+	-	Input	Jog at the + Direction of Y axis
YEXOP-	-	Input	Jog at the - Direction of Y axis
GND	-	-	Ground
XOUT4	GND	Output	General Output at X axis (CMP)
XOUT5	GND	Output	General Output at X axis

Table 3.1: PCI-1240/PCI-1240U I/O Connector Signal Description (part 2)

Signal Name	Reference	Direction	Description
XOUT6	GND	Output	General Output at X axis (Server on)
XOUT7	GND	Output	General Output at X axis (Reset)
XP+P	GND	Output	Output pulse CW/Pulse+ of X-axis
XP+N	GND	Output	Output pulse CW/ Pulse- of X-axis
XP-P	GND	Output	Output pulse CCW/DIR+ of X-axis
XP-N	GND	Output	Output pulse CCW/DIR- of X-axis
GND	-	-	Ground
YOUT4	GND	Output	Common Output at Y axis (CMP)
YOUT5	GND	Output	Common Output at Y axis
YOUT6	GND	Output	Common Output at Y axis (Server on)
YOUT7	GND	Output	Common Output at Y axis (Reset)
YP+P	GND	Output	Output pulse CW/Pulse+ of Y-axis
YP+N	GND	Output	Output pulse CW/Pulse- of Y-axis
YP-P	GND	Output	Output pulse CCW/DIR+ of Y-axis
YP-N	GND	Output	Output pulse CCW/DIR- of Y-axis
VEX	-	Input	External Power (DC12~24V)
ZLMT+	-	Input	+ Direction Limit at Z axis
ZLMT-	-	Input	- Direction Limit at Z axis
ZIN1	-	Input	Deceleration/Instant Stop at Z axis
ZIN2	-	Input	Deceleration/Instant Stop at Z axis
ZIN3	-	Input	Deceleration/Instant Stop at Z axis
ULMT+	-	Input	+ Direction Limit at U axis
ULMT-	-	Input	- Direction Limit at U axis
UIN1	-	Input	Deceleration/Instant Stop at U axis
UIN2	-	Input	Deceleration/Instant Stop at U axis
UIN3	-	Input	Deceleration/Instant Stop at U axis
ZINPOS	-	Input	Positioning Complete at Z axis
ZALARM	-	Input	Servo Error at Z axis
ZECAP	-	Input	Encoder Phase A at Z axis
ZECAN	-	Input	Encoder Phase A at Z axis
ZECBP	-	Input	Encoder Phase B at Z axis
ZECBN	-	Input	Encoder Phase B at Z axis
ZINOP	-	Input	Encoder Phase Z at Z axis
ZINON	-	Input	Encoder Phase Z at Z axis
UINPOS	-	Input	Positioning Complete at U axis

Table 3.1: PCI-1240/PCI-1240U I/O Connector Signal Description (part 3)

Signal Name	Reference	Direction	Description
UALARM	-	Input	Servo Error at U axis
UECAP	-	Input	Encoder Phase A at U axis
UECAN	-	Input	Encoder Phase A at U axis
UECBP	-	Input	Encoder Phase B at U axis
UECBN	-	Input	Encoder Phase B at U axis
UINOP	-	Input	Encoder Phase Z at U axis
UINON	-	Input	Encoder Phase Z at U axis
ZEXOP+	-	Input	Jog at the + Direction of Z axis
ZEXOP-	-	Input	Jog at the - Direction of Z axis
UEXOP+	-	Input	Jog at the + Direction of U axis
UEXOP-	-	Input	Jog at the - Direction of U axis
GND	-	-	Ground
ZOUT4	GND	Output	Common Output at Z axis (CMP)
ZOUT5	GND	Output	Common Output at Z axis
ZOUT6	GND	Output	Common Output at Z axis (Server on)
ZOUT7	GND	Output	Common Output at Z axis (Reset)
ZP+P	GND	Output	Output pulse CW/Pulse+ of Z-axis
ZP+N	GND	Output	Output pulse CW/Pulse- of Z-axis
ZP-P	GND	Output	Output pulse CCW/DIR+ of Z-axis
ZP-N	GND	Output	Output pulse CCW/DIR- of Z-axis
GND	-	-	Ground
UOUT4	GND	Output	Common Output at U axis (CMP)
UOUT5	GND	Output	Common Output at U axis
UOUT6	GND	Output	Common Output at U axis (Server on)
UOUT7	GND	Output	Common Output at U axis (Reset)
UP+P	GND	Output	Output pulse CW/Pulse+ of U-axis
UP+N	GND	Output	Output pulse CW/Pulse- of U-axis
UP-P	GND	Output	Output pulse CCW/DIR+ of U-axis
UP-N	GND	Output	Output pulse CCW/DIR- of U-axi

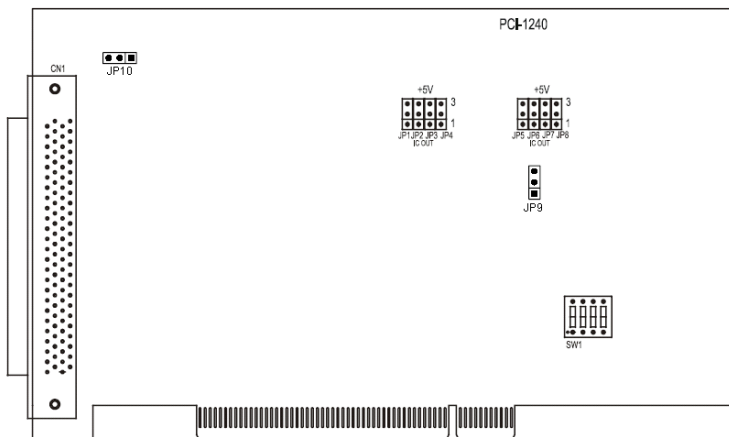


Figure 3.2: Location of Jumpers and DIP switch on PCI-1240/PCI-1240U

Table 3.2: BoardID register				
SW1	Board ID register			
Base Add. +12h	3	2	1	0
Abbreviation	BDID3	BDID2	BDID1	BDID

ID0: the least significant bit (LSB) of Board ID

ID3: the most significant bit (MSB) of Board ID

Table 3.3: BoardID setting

Board ID setting (SW1)				
Board ID (Dec.)	Switch Position			
	ID3	ID2	ID1	ID0
*0	●	●	●	●
1	●	●	●	○
:				
14	○	○	○	○
15	○	○	○	○
○ = Off	● = On	* = default		

3.3 Output Pulse Definition (nP+P, nP+N, nP-P, nP-N)

The output pulse command of PCI-1240/PCI-1240U is from MCX314/MCX314AS chip. The pulse command has two types. One is in Up/Down mode and another is in Pulse/Direction mode. While nP+P is differential from nP+N and

nP-P is differential from nP-N. After system reset, the nP+P and nP-P is low level, and this invert output (nP+N, nP-N) is high level, and the de-fault setting of pulse output mode is Up/Down. User can change the output mode into Pulse/Direction mode by writing specified command system register.

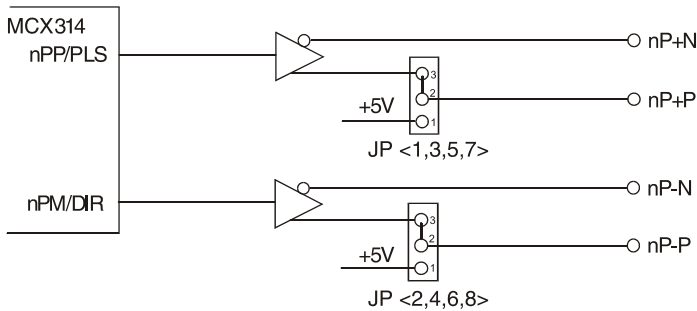


Figure 3.3: Output Signal Loop for Drive Pulses

From the circuit shown above (Figure 3-3), the default output mode is differential output. For single ended output use, user can change jumpers JP1~8 to +5V. Note that you should prevent from the noise interference when using jumpers JP1~8 to output internal +5V to external device.

Table 3.4: Jumper table of JP1~8

Jumper	JP1	JP2	JP3	JP4	JP5	JP6	JP7	JP8
Output Signal	XP+P	XP-P	YP+P	YP-P	ZP+P	ZP-P	UP+P	UP-P
IC Output (Line Driver Output)	Pin2 and Pin 3 short (Default)							
+5V Output	Pin1 and Pin 2 shor							

The following figure 3-4 and 3-5 show the examples of input circuitry connection for both photo coupler and motor driver respectively.

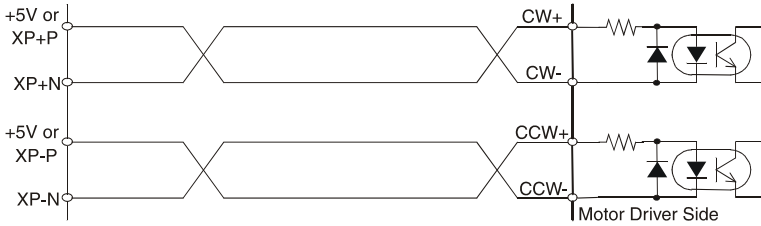


Figure 3.4: Photo Coupler Input Interface

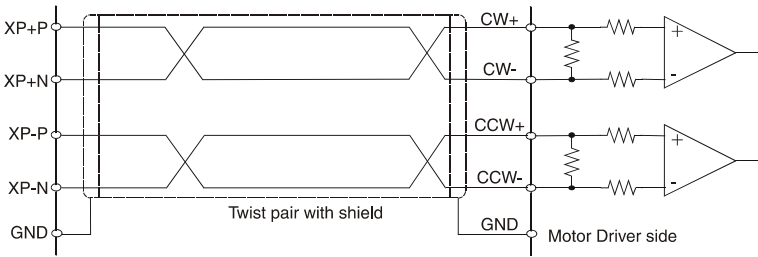


Figure 3.5: Line Driver Input Interface

3.4 General Purposed Output (nOUT7 ~ nOUT4)

The general purposed output nOUT7/DSND, nOUT6/ASND, nOUT5/CMPM, and nOUT4/CMPP are from MCX314/MCX314AS, and each output signal is OFF status after system reset.

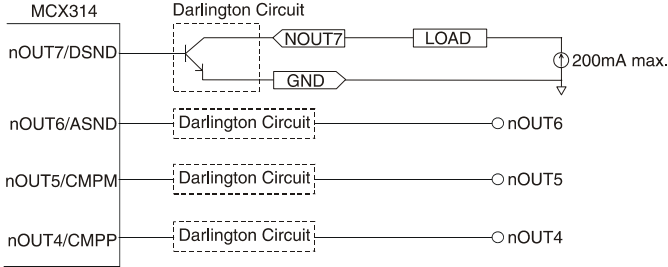


Figure 3.6: Circuit Diagram for General Purposed Output

General purposed output signals used in motor drives can clear error counter, alarm reset, stimulus off, etc., or select acceleration/deceleration for driving, position counter, and the status of comparison register as your output during driving.

3.5 Over Traveling Limit Switch Input (nLMT+, nLMT-)

Over traveling limit switches are used for system protection. This input signal is connected to the limit input of MCX314/MCX314AS through the connection of photo coupler and RC filter. When the limit switch is applied, the external power VEX DC12~24V will source the photo coupler, and then the nLMT+ in MCX314/MCX314AS will be low level. This enables the over traveling function if the desired level of nLMT+ is set to low.

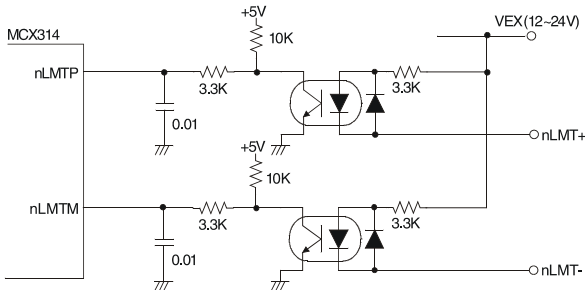


Figure 3.7: Circuit Diagram for Movement Limit Input Signals

The response time of this circuit should take about 0.2 ~ 0.4 msec because of the delay of photo coupled and RC filter. The following figure 3-8 is an example of photo sensor used in the case of over traveling limit switch input. When writing D3 bit of register2 (XWR2) into 0 to set the limit switch is low active in X-axis, the following figure can work normally.

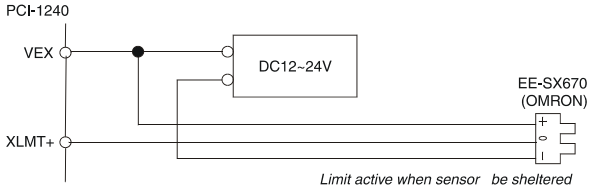


Figure 3.8: Example of photo sensor used in the limit input signal

3.6 Deceleration/Instantaneous Stop Switch Input (nIN1 ~ 3)

There are three input signals (nIN1, nIN2, nIN3) can make the motor drives deceleration or stop. Each axis has four inputs IN3 ~ IN0, wherein IN0 is used in phase Z interface of encoder feedback, and nIN1, nIN2, and nIN3 are use as input signals near the original point. If run mode is active, the output of driving pulse is terminated after those signals are enabled; The deceleration occurs during acceleration/deceleration, and it will be stopped immediately during constant drive. All the signals become invalid after reset. For example, when setting the D7 and D6 of XWR1 register to 1 and 0 (IN3 is low active), the drive will be terminated in the case of the limit switch is on and xIN3 is low. Furthermore, these input signals can be used as general purposed input because user can get the level by reading the input register status (RR4, RR5)

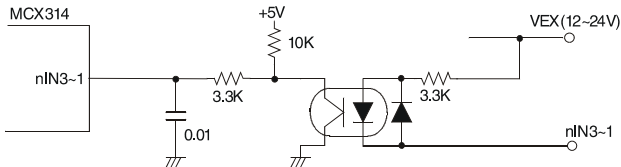


Figure 3.9: Circuit Diagram of Deceleration/Instantaneous Stop Input Signal

The response time of this circuit should take about 0.25 msec because of the delay of photo coupled and RC filter.

3.7 General Purposed Input for Servo Drives (nINPOS, nALARM)

nINPOS is an input signal from servo drives for in-position check, it is active after the servo drives finish a position command. Users can enable/disable this pin. When enable this function, the n-DRV bit in RR0 will change to 0 after servo drives finish the in-position check and nINPOS pin active.

nALARM is an input signal from servo drives for drives alarm output. When servo drives have an abnormal condition, they active this signal to note PCI-1240/PCI-1240U to stop output pulses. When enable the nALARM function of PCI-1240/PCI-1240U, the D14 bit of RR2 will set to 1 after nALARM active. If PCI-1240/PCI-1240U is driving pulses output, the output pulses will stop immediately when nALARM active.

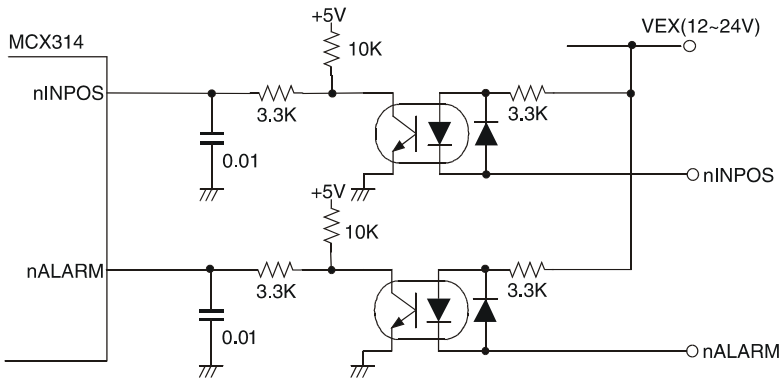


Figure 3.10: Input Signal for Servo Motor

This signal must be supplied from the external source DC12 ~ 24V, and the response time of this circuit should take about 0.25 msec because of the delay of photo coupled and RC filter.

Furthermore, this two signals can be used as general purposed input while user could read the input register 1 and 2 (RR4, RR5) to get the status of this two signal.

3.8 Encoder Input (nECAP, nECAN, nECBP, nECBN, nINOP, nINON)

When feedback the encoder signals, connect nECAP to phase A of encoder output. And nECAN to phase A, nECBP to phase B, nECBN to phase B. nINOP to phase Z and nINON to phase Z. The default setting of position feedback of PCI-1240/PCI-1240U is quadrature input. Up/Down pulses feedback is available after setting the input pulse mode.

nINOP/N is used for encoder phase Z signal feedback and also can be used as general purposed input or instantaneous stop input.

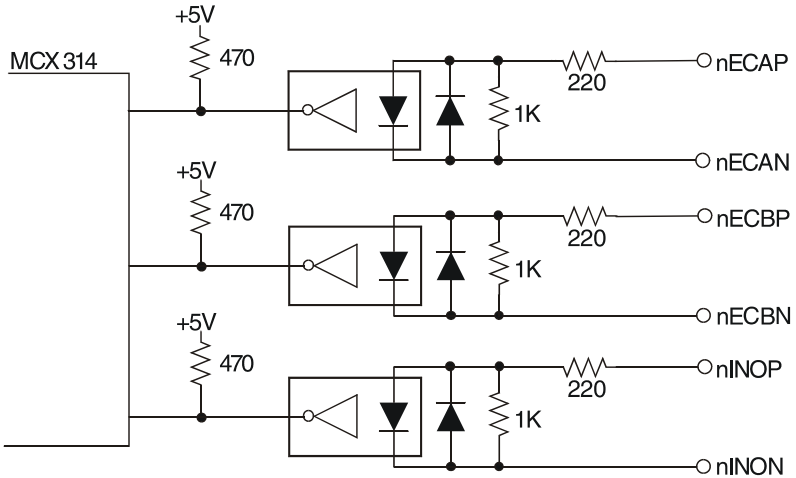


Figure 3.11: Circuit Diagram of Encoder Feedback

From the circuit diagram above, PCI-1240/PCI-1240U use high speed photo coupler for isolation. The encoder output can be differential mode or open-collector mode. When n***P is high and n***N is low, the real feedback signal (n***) to MCX314/MCX314AS is low. The maximum possible A/B phase feedback frequency is about 1 MHz.

The following diagram is an example of the connection for encoder with differential-output linear driver.

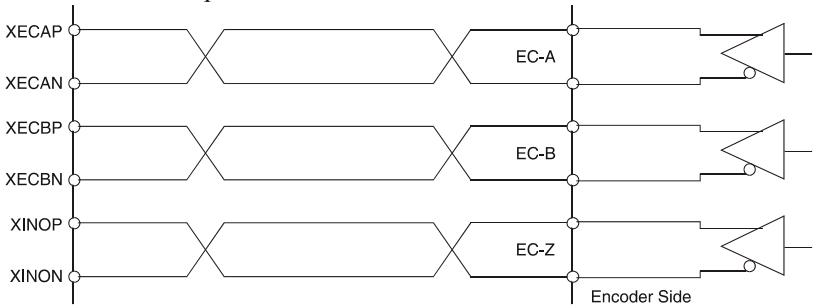


Figure 3.12: Example of Connection Diagram for Differential-output Line Driver

The following figure is an example of connection for the encoder with open-collector output.

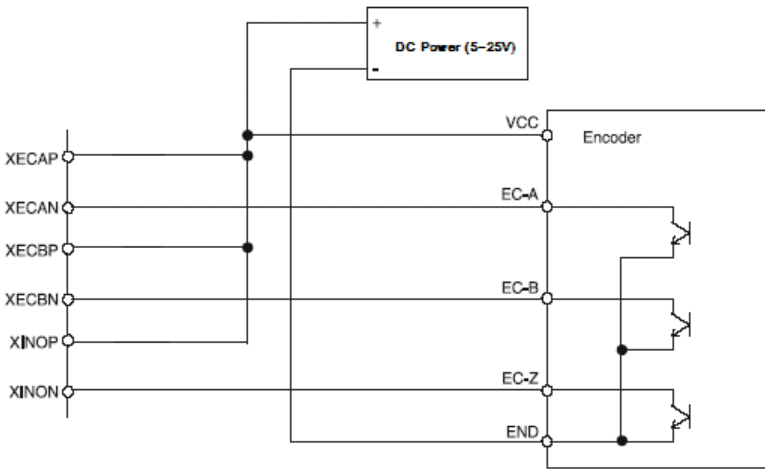


Figure 3.13: Example of Connection for Open Collector Output Encoder

3.9 External Pulse Control Input (nEXOP+, nEXOP-)

The pulses output function of MCX314/MCX314AS chip is controlled by register setting or by external pulse command input (nEXOP+, nEXOP-). There are two output pulse mode for the external control pin. One is fixed pulse output mode, and the other is continuous output mode. In PCI-1240/PCI-1240U, it provides Jog and Hand wheel functions that allow you driving motors through external Hand wheel or Jog equipment. In Jog mode, it is corresponding to the “Continuous Output Mode,” and in Hand wheel mode, it is corresponding to the “Fixed Pulse Output Mode.” These functions are progressed without CPU involved on host PC. When the input signal is enabled during fixed pulse drive, the pulse specified will be output. When continuous output drive is enabled, the drive pulse will be continually output at the period of signal Low. This signal should be used in combination with external power DC12 ~ 24V. The response time of circuitry should take about 10 msec because of the delay of photo coupled and RC filter.

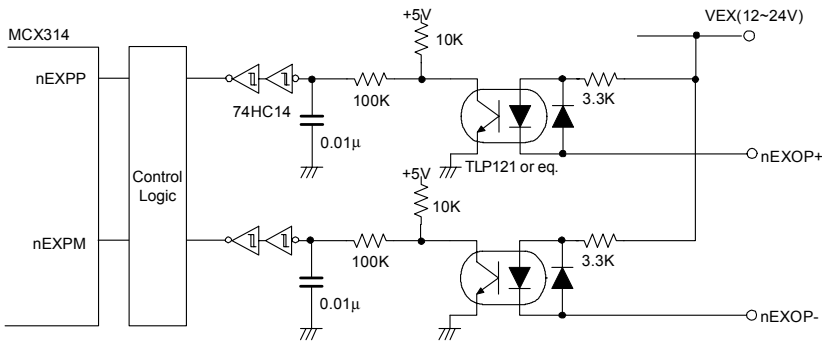


Figure 3.14: Circuit Diagram of the External Drive Operation Signals

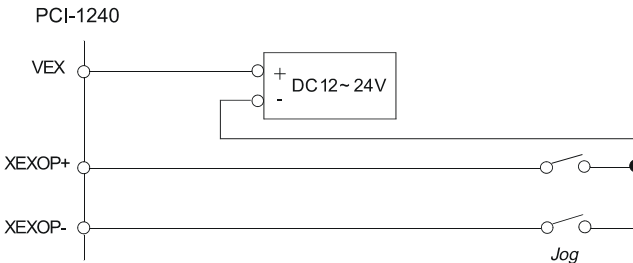


Figure 3.15: Example of Connecting to Jog

3.10 Emergency Stop Input (EMG)

When emergency stop input signal is enabled, the output of the drive pulse for all axes will be stopped, and error bit of main status register will be set to 1. The operation of emergency stop input is positive or negative triggered can be determined by JP9 on the board.

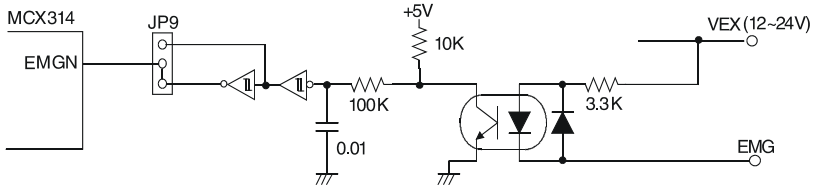


Figure 3.16: Circuit Diagram of Emergency Stop Input Signal

This signal should be used in combination with external power DC12 ~ 24V. The response time of circuitry should take about 0.25 msec because of the delay of photo coupled and RC filter.

Table 3.5: Jumper Settings of JP9

Jumper	JP9
Emergency stop function enabled when emergency stop signal (EMG) and external GND short	Pin 1 and Pin 2 short (Default)
Emergency stop function enabled when emergency stop signal (EMG) and external GND open	Pin 2 and Pin 3 short

Note Please check if EMG and GND are short or not when the card could not work properly.

3.11 External Power Input (VEX)

External power is necessary for all input signals of each axis. Please apply DC12~24V voltage as your need. Current consumption of each point for input signal is DC12V = 3.3 mA, DC24V = 7 mA.

3.12 Interrupt Setting

When the interrupt occurs from MCX314/MCX314AS, the interrupt signal of MCX314/MCX314AS will be changed from high to low. Because the PCI bus interrupt is high level sensitive, the PCI-1240/PCI-1240U inverse the signal and latch the signal to adapt the PCI bus INTA. The Fig- 3.17 shows the interrupt structure of the PCI-1240/PCI-1240U. We suggest users who want to program their own interrupt service routine (ISR) should follow the procedures:

Step 1: When interrupt occurs. (Hardware)

Step 2: Program will jump to ISR. (Software)

Step 3: In ISR program the first thing have to do is clear interrupt for preventing hanging up the PCI bus.

Step 4: In ISR program the last thing have to do is read nRR3 of MCX314/MCX314AS for accepting next interrupt occurs.

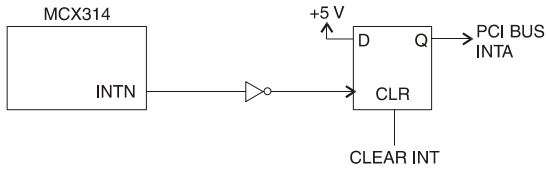


Figure 3.17: Circuit diagram of interrupt setting

3.13 Connection Examples for Motor Drivers

3.13.1 Connection to Step Motor Drivers

The following figure is an example of PCI-1240/PCI-1240U connected to 5-phase micro-step motor drives, KR515M manufactured by TECHNO company.

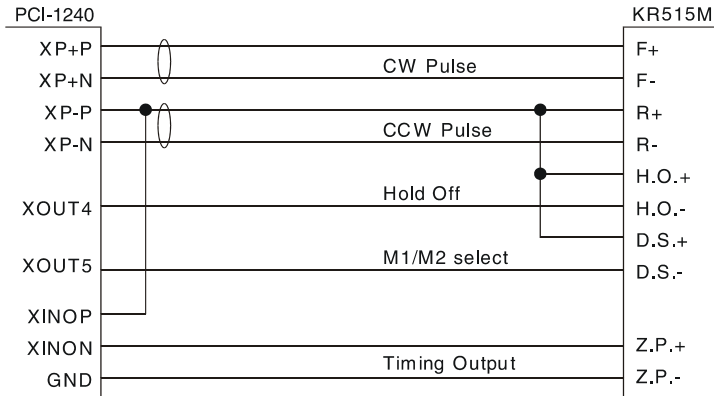


Figure 3.18: Example of Connecting to KR515M Drive

Note JP1~8 of PCI-1240/PCI-1240U are set to +5V output side, +5V output for output terminals XP+P and XP-P. Setting JP1~8 as single-ended output will output +5V of PCI-1240/PCI-1240U to external devices, this will induce noise back to PCI-1240/PCI-1240U. So, be careful when connection.

Connect XOUT4 to H. O. (Hold off) can control the drive to hold.

Connect XOUT5 to D.S. can control the resolution of micro-step drive. Which will be controlled by setting D8, D9 of WR3 in MCX314/MCX314AS. And, read the RR4,5 to know the status of XINOP/N.

The following figure is an example of PCI-1240/PCI-1240U connected to UPK step drive manufactured by ORIENTAL company.

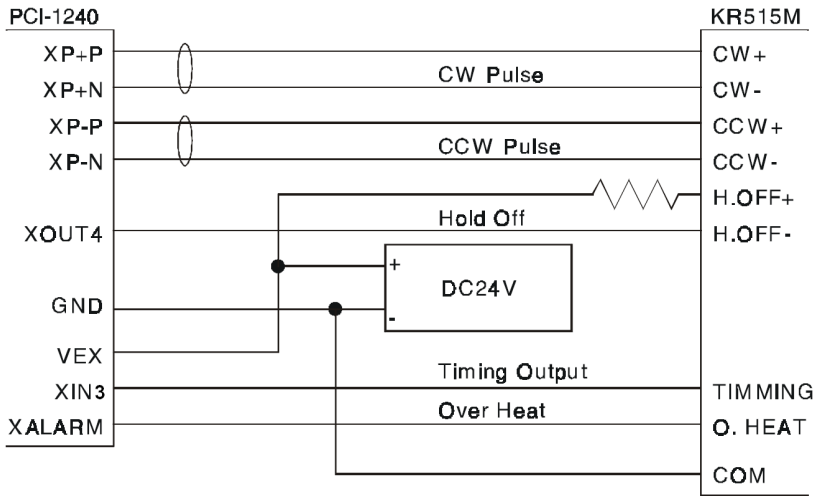


Figure 3.19: Example of Connecting to UPK Step Drive

Note *The differential pulse output of PCI-1240/PCI-1240U is connected to CW/CCW input of UPK drive. XOUT4 can control UPK drive to hold by setting D8 of WR3. TIMING and Over HEAT signals can be read back by reading RR4,5.*

It is better to use a twisted pair cable for long connections.

3.13.2 Connection to Servo Motor Drivers

The figure shown below is an example of PCI-1240/PCI-1240U connected to MINAS X series AC servo motor drive.

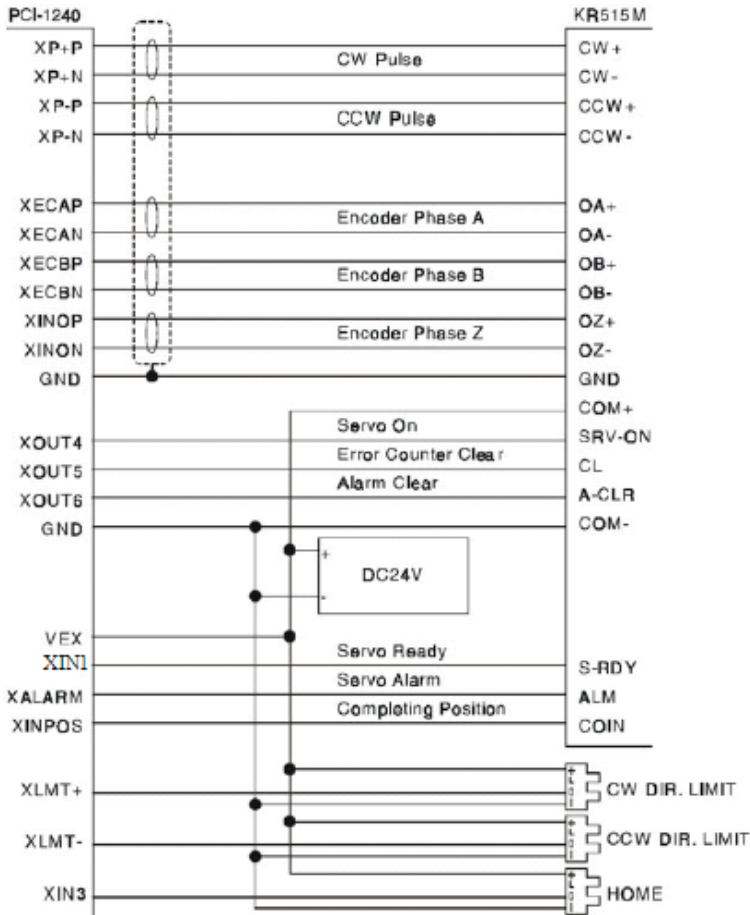


Figure 3.20: Example of MINAS X series AC servo Motor Drive

Note *The servo drive must be set in pulse-control drive mode and the type of pulse input is CW/CCW mode. This connection is not well for pulse/direction mode because the timing is not match.*

It is optional to connect encoder A/B phase feedback signal. If connect to encoder signal, user can read the real position from PCI-1240/PCI-1240U.

If the environment has high noise or the connection is long, we recommend you to use twist pair cable for servo drives.

3.14 Field Wiring Considerations

When you use the PCI-1240/PCI-1240U to acquire data from outside, noises in the environment might significantly affect the accuracy of your measurements if due cautions are not taken. The following measures will be

helpful to reduce possible interference running signal wires between signal sources and the PCI-1240/PCI-1240U.

- The signal cables must be kept away from strong electromagnetic sources such as power lines, large electric motors, circuit breakers or welding machines, since they may cause strong electromagnetic interference. Keep the analog signal cables away from any video monitor, since it can significantly affect a data acquisition system.
- If the cable travels through an area with significant electromagnetic interference, you should adopt individually shielded, twisted-pair wires as the analog input cable. This type of cable has its signal wires twisted together and shielded with a metal mesh. The metal mesh should only be connected to one point at the signal source ground.
- Avoid running the signal cables through any conduit that might have power lines in it.
- If you have to place your signal cable parallel to a power line that has a high voltage or high current running through it, try to keep a safe distance between them. Or you should place the signal cable at a right angle to the power line to minimize the undesirable effect.
- The signals transmitted on the cable will be directly affected by the quality of the cable. In order to ensure better signal quality, we recommend that you use the PCL-10251 shielded cable.

3.15 I/O Signal Timing

3.15.1 Power On RESET

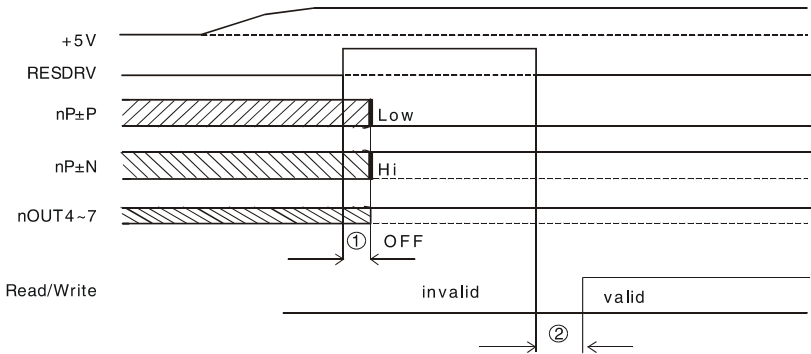


Figure 3.21: Timing Diagram of Power On RESET

- Output pulses ($nP \pm P$, $nP \pm N$) for drive control and general purpose output signals ($nOUT4 \sim 7$) for I/O control will be determined after 250 nsec from power on reset.
- User can access PCI-1240/PCI-1240U only after 500 nsec from power-on reset.

3.15.2 Individual Axis Driving

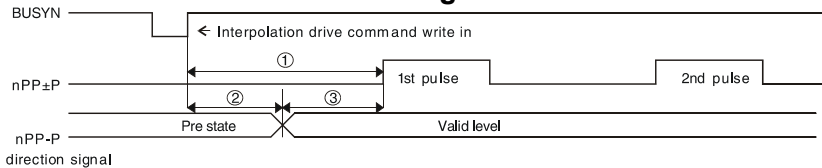


Figure 3.22: Timing diagram of Individual Axis Driving

- The maximum time to output command pulse after first pulse command is about 650nsec.
- When pulse/direction mode, the direction signal will valid after 275 nsec and pulse output will valid after 375 nsec after direction signal.

3.15.3 Interpolation Driving

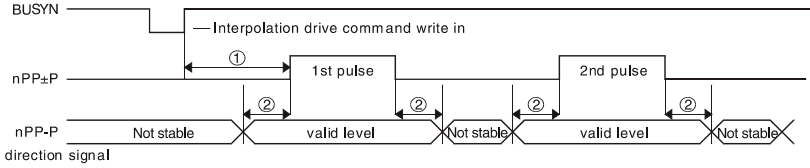


Figure 3.23: Timing diagram of Interpolation Driving

- After interpolation command is enable, the first pulse will be outputted in 775 nsec.
- If using pulse/direction mode, direction signal (nP-P) is valid in ± 125 nsec of high-level pulse signal.

3.15.4 Input Pulse Timing

Quadrature Pulse of Encoder Input

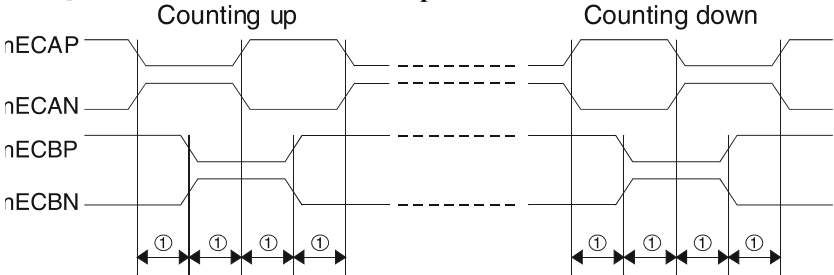


Figure 3.24: Timing diagram of Quadrature Pulse of Encoder Input

- The minimum difference time between A/B phases is 200 nsec.

UP/DOWN Pulse Input

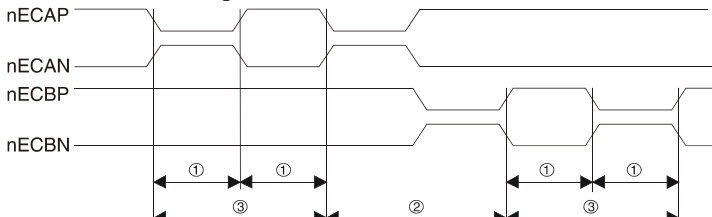


Figure 3.25: Timing diagram of UP/DOWN Pulse Input

- Minimum UP/DOWN pulse width: 130 nsec.
- Minimum Increased/Decreased Pulse Interval: 130 nsec .
- Minimum UP/DOWN pulse period: 260 nsec.

3.15.5 Instantaneous Stop Timing

External Instantaneous Stop Signal

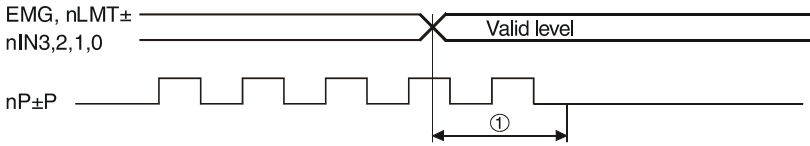


Figure 3.26: Timing diagram of External Instantaneous Stop Signal

- When external stop signal is enabled during driving, up to 400 μ SEC + 1 pulse will be output, and then stopped.

Instantaneous Stop Instruction

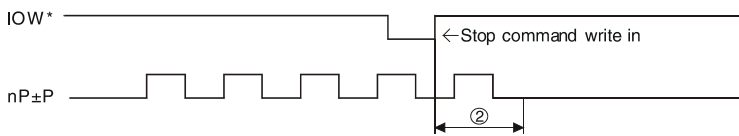


Figure 3.27: Timing diagram of Instantaneous Stop Instruction

- When the Stop instruction is issued during driving, at most one pulse will be output, and then stopped.

3.15.6 Deceleration Stop Timing

External Deceleration/Stop Signal

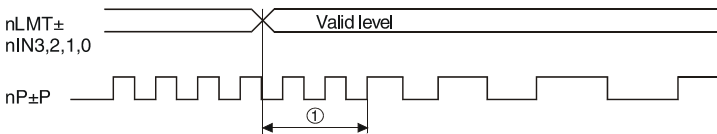


Figure 3.28: Timing diagram of External Deceleration/Stop Signal

- When external deceleration signal is enabled during driving, up to 400 μ SEC + 2 pulses will be output, and then stopped.

Deceleration/Stop Instruction

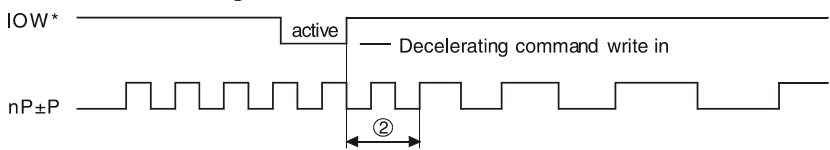


Figure 3.29: Timing diagram of Deceleration/Stop Instruction

- When the Deceleration/Stop instruction is issued during driving, at most two pulses will be output, and then stopped.

3.16 TTL Level Position Compare Output (PCI-1240U only)

This is a special design for the customers who can use the position compare output to synchronize with other vision devices. For PCI-1240, the position compare output channels are nOUT4 and nOUT5, and it is open-collector type output. In which the nOUT4 and nOUT5 represent the different direction of position compare separately. For PCI-1240U, we provide an integrated option for the position compare output. By selecting with JP10, you can choose the XOUT4 pin as original design as PCI-1240, or TTL level output. While the JP10 is in “CMP” position, the output of XOUT4 is (XOUT4 XOUT5). With this special design you can get the compared result in both increment and decrement direction through one unified pin.

Table 3.6: Jumper Settings of JP10

Jumper	JP10
The XOUT4 is defined as the pulse output channel for the incremental position compare mechanism. And it's open-collector type output.	XOUT4, Pin 1 and Pin 2 short (Default)
It's a design only for PCI-1240U. The position compare signal for both directions will output from XOUT4, and the output level of XOUT4 is TTL level.	CMP, Pin 2 and Pin 3 short

APPENDIX
A

Specifications

Appendix A Specifications

A.1 Axes

Axes	4	
2/3-Axis Linear Interpolation	Range	For each axis: PCI-1240: (-8,388,608 ~ +8,388,607) PCI-1240U: (-2,147,483,648 ~ +2,147,483,648)
	Speed	1 PPS ~ 4 MPPS
	Precision	± 0.5 LSB
2-Axis Circular Interpolation	Range	PCI-1240: (-8,388,608 ~ +8,388,607) PCI-1240U: (-2,147,483,648 ~ +2,147,483,648)
	Speed	1 PPS ~ 4 MPPS
	Precision	± 1 LSB
Continuous Interpolation	Speed	1 PPS ~ 2 MPPS
	Output Signal	nP+P/N, nP-P/N
	Range	1 PPS ~ 4 MPPS
	Precision	± 0.1%
	Change of Acceleration for S Curve	954 ~ 31.25 x 10 ⁹ PPS/sec ²
	Acceleration/Deceleration	125 ~ 500 x 10 ⁶ PPS/sec
	Initial Velocity	1 PPS ~ 4 MPPS
	Drive Speed	1 PPS ~ 4 MPPS (Can be changed during driving)
	Number of Output Pulses	Fixed pulse driving PCI-1240: 0 ~ 268,435,455 PCI-1240U: 0 ~ 4,294,067,295
	Pulse Output Type	Pulse/Direction (1-pulse, 1-direction type) or Up/Down (2-pulse type)
	Output Signal Modes	Differential line driving output / Single-ended output
Speed Curve	T/S curve acceleration/deceleration	

A.2 Digital Input/Output

Input Signals	Over Traveling Limit Switch Input*	nLMT+ and nLMT-		
	External Deceleration/ Instantaneous Stop Signal	nIN1 ~ 3		
	Input Signal for Servo Motor Drives*	nALARM (servo alarm); nINPOS (position command completed)		
	Emergency Stop	EMG - one emergency stop input		
	Max. Input Frequency	4 kHz		
	Input Voltage	Low	3 V DC max.	
		High	10 V DC min.	
			50 V DC max.	
	Input Current	10 V DC	1.70 mA (typical)	
		12 V DC	2.10 mA (typical)	
		24 V DC	4.40 mA (typical)	
		48 V DC	9.00 mA (typical)	
		50 V DC	9.40 mA (typical)	
Protection	2,500 V DC photo coupler isolation and RC filtering			
General Purpose Output Signals	Output Signal	nOUT4 ~ 7		
	Output Voltage	Open Collector 5 ~ 40 V DC		
	Sink Current	200 mA max./channel		
	Protection	2,500 V DC photo coupler isolation		

Note

*: "n" represents the axis (X, Y, Z or U) that is concerned

A.3 Input Pulse for Encoder Interface

Input Signal*	nECAP/N, nECBP/N, nIN0P/N	
Encoder Pulse Input Type	Quadrature (A/B phase) or Up/Down x1, x2, x4 (A/B phase only)	
Counts per Encoder Cycle	x1, x2, x4 (A/B phase only)	
Max. Input Frequency	1 MHz	
Input Voltage	Low	2 V DC max.
	High	Min.: PCI-1240: 10 V DC PCI-1240U: 5 V DC
		Max. 30 V DC
Protection	2,500 V DC Isolation Protection	

A.4 External Signals Driving

Input Signal	nEXOP+, nEXPO-	
Max. Input Frequency	100 Hz	
Input Voltage	Low	3 V DC max.
	High	10 V DC min.
		30 V DC max.
Driving Mode	Fixed pulse driving or continuous driving. Supports Hand wheel and Jog.	
Protection	2,500 V DC photo coupler isolation	

A.5 Other Functions

Position Counter	Range of Command Position Counter (for output pulse)	-2,147,438,648 ~ +2,147,438,647
	Range of Actual Position Counter (for input pulse)	-2,147,438,648 ~ +2,147,438,647
Comparison Register	COMP+ Register Range	-2,147,438,648 ~ +2,147,438,647
	COMP- Register Range	-2,147,438,648 ~ +2,147,438,647
	Can be used for software over traveling limit	
Interrupt Functions (Excluding Interpolation)	Interrupt Condition (All conditions could be enabled/disabled individually)	Position Counter => COMP-
		Position Counter < COMP-
		Position Counter < COMP+
		Position Counter => COMP+
		Constant speed begins or ends during acceleration/deceleration driving pulse finishing
BoardID	4-bit DIP switch, ID: 0~15	

A.6 General

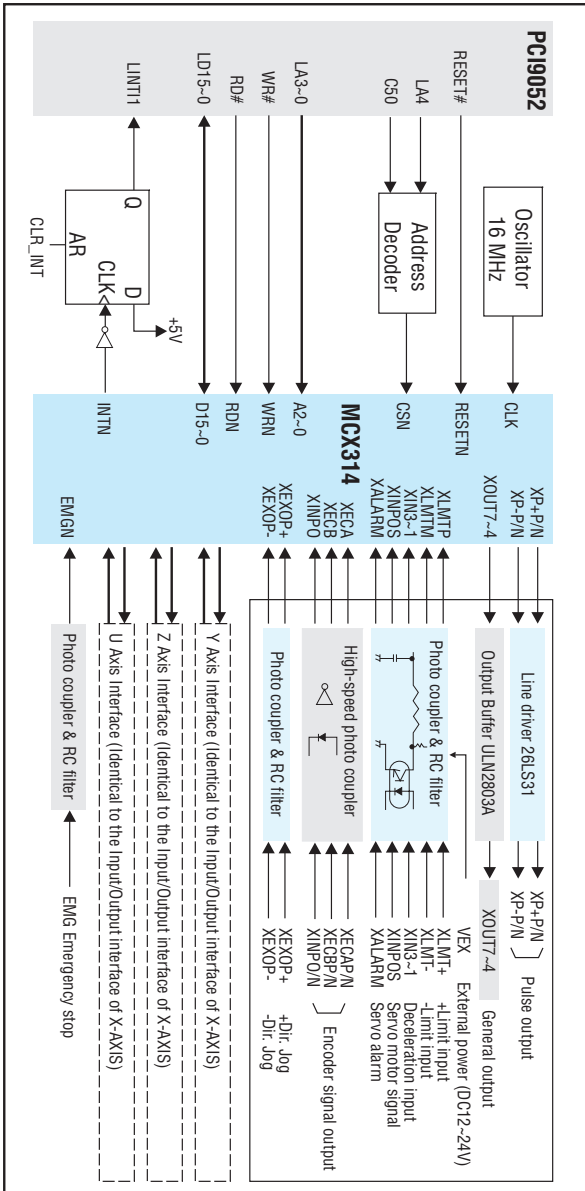
I/O Connector Type	100-pin SCSI-II female	
Dimensions	175 x 100 mm (6.9" x 3.9")	
Power Consumption	Typical.	+5 V @ 850 mA +12 V @ 600 mA
	Max.	+5 V @ 1 A +12 V @ 700 mA
External Power Voltage	DC +12 ~ 24 V	
Temperature	Operating	0 ~ 60° C (32 ~ 140° F) (refer to IEC 68-2-1,2)
	Storage	-20 ~ 85° C (-4 ~ 185° F)
Relative Humidity	5~95% RH non-condensing (refer to IEC 68-2-3)	
Certifications	CE certified	

APPENDIX

B

Block Diagram

Appendix B Block Diagram



APPENDIX

C

Register Structure and Format

Appendix C Register Structure and Format

C.1 Overview

The PCI-1240/PCI-1240U is delivered with an easy-to-use 32-bit DLL driver for user programming under Windows operating system. We advise users to program the PCI-1240/PCI-1240U using 32-bit DLL driver provided by Advantech to avoid the complexity of low-level programming by register.

The most important consideration in programming the PCI-1240/PCI-1240U at the register level is to understand the function of the card's registers. The information in the following sections is provided for users who would like to do their own register-level programming.

C.2 I/O Port Address Map

The PCI-1240/PCI-1240U requires 20 consecutive addresses in the PC's I/O space. The address of each register is specified as an offset from the card's base address. For example, BASE+0 is the card's base address and BASE+8 is the base address plus eight bytes. The following sections give the detailed information about register layout, and also the detailed information about each register or driver and its address relative to the card's base address.

Table C-1 and C-2 show the function and format of each WRITE register or driver and its address relative to the card's base address; Table C-3 and C-4 show the function and format of each READ register or driver and its address relative to the card's base address

Note *All base address is in hexadecimal in Appendix C.*
Users have to use a 16-bit (word) I/O command to read/write each

Table C.1: PCI-1240/PCI-1240U WRITE register function

Address (Hex.)	Write		
	Symbol	Register Name	Content
0	WR0	Command Register	Settings for axis assignment and command
2	XWR1	X Axis Mode Register 1	Enable/disable deceleration and set deceleration level. Enable/disable interrupt for each axis.
	YWR1	Y Axis Mode Register 1	
	ZWR1	Z Axis Mode Register 1	
	UWR2	U Axis Mode Register 1	
4	XWR2	X Axis Mode Register 2	Set the external limit signal of each axis. Set the type of output pulse Set the type of encoder input Enable/disable the signal from servo drives
	YWR2	Y Axis Mode Register 2	
	ZWR2	Z Axis Mode Register 2	
	UWR2	U Axis Mode Register 2	
	BP1P	BP1P Register	Setting for the + direction bit data of the first axis for bit pattern interpolation.
6	XWR3	X Axis Mode Register 3	Settings for manual deceleration, individually decelerating, and S-curve acceleration/ deceleration mode of each axis. Setting for external operation mode. Setting for general output OUT7 ~ 4.
	YWR3	Y Axis Mode Register 3	
	ZWR3	Z Axis Mode Register 3	
	UWR3	U Axis Mode Register 3	
	BP1M	BP1M Register	Setting for the - direction bit data of the first axis for bit pattern interpolation.
8	WR4	Output Register	Setting for general output OUT3 ~ 0.
	BP2P	BP2P Register	Setting for the + direction bit data of the second axis for bit pattern interpolation.
A	WR5	Interpolation Mode Register	Axis assignment. Settings of constant linear speed, step output mode, and interrupt.
	BP2M	BP2M Register	Setting for the - direction bit data of the second axis for bit pattern interpolation.
C	WR6	Data Writing Register 1	Setting of the least significant 16-bit (D15-D0) for data writing.
	BP3P	BP3P Register	Setting for the + direction bit data of the third axis for bit pattern interpolation.
E	WR7	Data Writing Register 2	Setting of the most significant 16-bit (D31-D16) for data writing.
	BP3M	BP3M Register	Setting for the - direction bit data of the third axis for bit pattern interpolation.
10	CLRINT	Clear Interrupt Register	Clearing the interrupt register
12	N/A	N/A	
14	PGM	Pulse Generator Mode Register	Setting for Jog/Hand wheel mode function

Table C.2: PCI-1240/PCI-1240U WRITE register format

Base	Addr.	D15	D14	D13	D12	D11	D10	D9	D8	D7	D6	D5	D4	D3	D2	D1	D0
0	W	Command Register: WR0															
		RESET				U	Z	Y	X								
Axis Assignments																	
Command Code																	
2	W	Mode Register 1: WR1															
		D-EN	C-STA	C-END	P ≥ C+	P < C+	P < C-	P ≥ C-	PULSE	IN3-E	IN3-L	IN2-E	IN2-L	IN1-E	IN1-L	IN0-E	IN0-L
Interrupt Enable/Disable																	
Driving Stop Input Signal Enable/Disable																	
4	W	Mode Register 2: WR2															
		INP-E	INP-L	ALM-E	ALM-L	PIND1	PIND0	PINMD	DIR-L	PLS-L	PLSMD	CMPSL	HLMT+	HLMT-	LMTMD	SLMT+	SLMT-
6	W	Mode Register 3: WR3															
						OUT7	OUT6	OUT5	OUT4	OUT3			EXOP1	EXOP0	SACC	DSND	EMANLD
8	W	Output Register: WR4															
		UOUT3	UOUT2	UOUT1	UOUT0	ZOUT3	ZOUT2	ZOUT1	ZOUT0	YOUT3	YOUT2	YOUT1	YOUT0	XOUT3	XOUT2	XOUT1	XOUT0
A	W	Interpolation Mode Register: WR5															
		BPINT	CINT		CMPLS	EXPLS		LSPD1	LSPD0			AX31	AX30	AX21	AX20	AX11	AX10
Interrupt																	
Step Output																	
Constant Vector Speed																	
ax3																	
ax2																	
ax1																	
C	W	Data Writing Register 1: WR6															
		WD15	WD14	WD13	WD12	WD11	WD10	WD9	WD8	WD7	WD6	WD5	WD4	WD3	WD2	WD1	WD0
E	W	Data Writing Register 2: WR7															
		WD31	WD30	WD29	WD28	WD27	WD26	WD25	WD24	WD23	WD22	WD21	WD20	WD19	WD18	WD17	WD16
10	W	Clear Interrupt Register: CLRINT															
		Clear Interrupt Register															
14	W	Pulse Generator Mode Register: PGM															
		PGMU3	PGMU2	PGMU1	PGMU0	PGMZ3	PGMZ2	PGMZ1	PGMZ0	PGMY3	PGMY2	PGMY1	PGMY0	PGMX3	PGMX2	PGMX1	PGMX0

Table C.3: PCI-1240/PCI-1240U READ register function

Address (Hex.)	Read		
	Symbol	Register Name	Content
0	RR0	Main status register	Limit switch status, driving status, ready for interpolation, quadrant for circle interpolation, and the stack of BP
2	XRR1 YRR1 ZRR1 URR1	X Axis Status Register 1 Y Axis Status Register 1 Z Axis Status Register 1 U Axis Status Register 1	The result of compare, status of acceleration, and ending status.
4	XRR2 YRR2 ZRR2 URR2	X Axis Status Register 2 Y Axis Status Register 2 Z Axis Status Register 2 U Axis Status Register 2	Error message
6	XRR3 YRR3 ZRR3 URR3	X Axis Status Register 3 Y Axis Status Register 3 Z Axis Status Register 3 U Axis Status Register 3	Interrupt message
8	RR4	Input Register 1	I/O input for X- and Y-axis
A	RR5	Input Register 2	I/O input for Z- and U-axis
C	RR6	Data Reading Register 1	Low word of Data Register (D15 ~ D0)
E	RR7	Data Reading Register 2	High word of Data Register (D31 ~ D16)
10	INTSTA	Interrupt Status Register	The Status of Interrupt Register
12	BDID	Board ID Register	The card's Board ID
14	PGSTA	Pulse Generator Status Register	Jog/Hand wheel mode function status

Table C.4: PCI-1240/PCI-1240U READ register format

Base Add.		15	14	13	12	11	10	9	8	7	6	5	4	3	2	1	0	
0	R	Main Status Register: RR0																
			BPSC1	BPSC0	ZONE2	ZONE1	ZONE0	CNEXT	I-DRV	U-ERR	Z-ERR	Y-ERR	X-ERR	U-DRV	Z-DRV	Y-DRV	Z-DRV	
Error Status of Each Axis Driving Status of Each Axis																		
2	R	Status Register 1: RR1																
		EMG	ALARM	LMT-	LMT+	IN3	IN2	IN1	IN0	ADSND	ACSNT	AASND	DSND	CNST	ASND	CMP-	CMP+	
Stop Status																		
4	R	Status Register 2: RR2																
													EMG	ALARM	HLMT-	HLMT+	SLMT-	SLMT+
6	R	Status Register 3: RR3																
D-END C-STA C-END $P \geq C+$ $P < C+$ $P < C-$ $P \geq C-$ PULSE																		
8	R	Input Register 1: RR4																
		Y-ALM	Y-INP	Y-EX-	Y-EX+	Y-IN3	Y-IN2	Y-IN1	Y-IN0	X-ALM	X-INP	X-EX-	X-EX+	X-IN3	X-IN2	X-IN1	X-IN0	
A	R	Input Register 2: RR5																
		U-ALM	U-INP	U-EX-	U-EX+	U-IN3	U-IN2	U-IN1	U-IN0	Z-ALM	Z-INP	Z-EX-	Z-EX+	Z-IN3	Z-IN2	Z-IN1	Z-IN0	
C	R	Data Reading Register 1: RR6																
		RD15	RD14	RD13	RD12	RD11	RD10	RD9	RD8	RD7	RD6	RD5	RD4	RD3	RD2	RD1	RD0	
E	R	Data Reading Register 2: RR7																
		RD31	RD30	RD29	RD28	RD27	RD26	RD25	RD24	RD23	RD22	RD21	RD20	RD19	RD18	RD17	RD16	
10	R	Interrupt Status Register: INTSTA																
																		INTF
12	R	Board ID Register: BDID																
																	BDID3	BDID2
14	R	Pulse Generator Status Register: PGSTA																
		PGMU3	PGMU2	PGMU1	PGMU0	PGMZ3	PGMZ2	PGMZ1	PGMZ0	PGMY3	PGMY2	PGMY1	PGMY0	PGMX3	PGMX2	PGMX1	PGMX0	

C.3 MCX314/MCX314AS WRITE Registers: WR0 ~ WR7

The PCI-1240/PCI-1240U registers from WR0 (Base Add. + 0) to WR7 (Base Add. + E) are the same as mapping registers on MCX314/MCX314AS chip, and please refer to MCX314/MCX314AS user's manual Section 4.3 ~ Section 4.9 for detailed information.

C.4 Clear Interrupt Register: CLRINT

Write any value to this address to clear the interrupt register.

Table C.5: Clear Interrupt Register: CLRINT - Write BASE +10

Base Add.	D15	D14	D13	D12	D11	D10	D9	D8	D7	D6	D5	D4	D3	D2	D1	D0
10	W	Clear Interrupt Register: CLRINT														
		Clear Interrupt Register														

C.5 Pulse Generator Mode/Status Register: PGM/PGSTA

The pulse generator function is powerful for users to drive specific axis by Jog or Hand wheel. There are two operation modes - Jog mode and Hand wheel mode.

In Jog mode, it is corresponding to the "Continuous Pulse Driving Mode", and in Hand wheel mode, it is corresponding to the "Fixed Pulse Driving Mode".

Please refer to MCX314/MCX314AS user's manual Section 2.6.1 for detailed information.

Table C.6: Pulse Generator Mode/Status Register: PGM/PGMSTA - Write/Read BASE +14

Base Add.	D15	D14	D13	D12	D11	D10	D9	D8	D7	D6	D5	D4	D3	D2	D1	D0
14	W	Pulse Generator Mode Register: PGM														
		PGMU3	PGMU2	PGMU1	PGMU0	PGMZ3	PGMZ2	PGMZ1	PGMZ0	PGMY3	PGMY2	PGMY1	PGMY0	PGMX3	PGMX2	PGMX1
	R	Pulse Generator Status Register: PGSTA														
		PGMU3	PGMU2	PGMU1	PGMU0	PGMZ3	PGMZ2	PGMZ1	PGMZ0	PGMY3	PGMY2	PGMY1	PGMY0	PGMX3	PGMX2	PGMX1

- D3 ~ 0 X-axis Pules Generator Mode Control
- D7 ~ 4 Y-axis Pules Generator Mode Control
- D11 ~ 8 Z-axis Pules Generator Mode Control
- D15 ~ 12 U-axis Pules Generator Mode Control

Table C.7: Pulse Generator Mode - PGMn3

PGMn3, n=X, Y, Z or U	Meaning	Signal Type
0	Jog mode	Isolated digital input
1	Hand wheel mode	A/B phase pulse input

The following table indicates the external signal routing path. The external signals generate the pulses to drive the motor are connected to the pins nEXOP+ and nEXOP- (Please refer to the pin assignment).

Table C.8: Pulse Generator Signal Connection Mode

PGMn2	PGMn1	PGMn0	Meaning
0	0	0	Function disabled
0	0	1	Signal from pins nEXOP+/- for driving n-axis
0	1	0	Software programmable mode - Signal from pins XEXOP+/- for driving Axis selected by pins U_IN2 and U_IN1
0	1	1	Software programmable mode - Signal from pins YEXOP+/- for driving Axis selected by pins U_IN2 and U_IN1
1	0	0	Signal from pins XEXOP+/- for driving n-axis
1	0	1	Signal from pins YEXOP+/- for driving n-axis
1	1	0	Signal from pins ZEXOP+/- for driving n-axis
1	1	1	Signal from pins UEXOP+/- for driving n-axis

Note: n= X, Y, Z or U

Table C.9: Driving Axis for Software Programmable Mode

U_IN2	U_IN1	Driving Axis
0	0	X-axis
0	1	Y-axis
1	0	Z-axis
1	1	U-axis

C.6 MCX314/MCX314AS READ Registers: RR0 ~ RR7

The PCI-1240/PCI-1240U registers from RR0 (Base Add. + 0) to RR7 (Base Add. + E) are the same as mapping registers on MCX314/MCX314AS chip, and please refer to MCX314/MCX314AS user's manual Section 4.10 ~ Section 4.15 for detailed information.

C.7 Interrupt Status Register: INTSTA

Table C.10: Interrupt Status Register: INTSTA - Read BASE +10

Base Add.		15	14	13	12	11	10	9	8	7	6	5	4	3	2	1	0
10	R	Interrupt Status Register: INTSTA															

D0 Interrupt flag

This bit indicates whether interrupt occurred or not.

1 means that an interrupt has occurred.

C.8 Board ID Register: BDID

BDID shows the Board ID of the PCI-1240/PCI-1240U.

Table C.11: Board ID Register: BDID - Read BASE +12

Base Add.		15	14	13	12	11	10	9	8	7	6	5	4	3	2	1	0
12	R	Board ID Register: BDID															
															BDID3	BDID2	BDID1

APPENDIX **D**

Cable Pin Assignments

Appendix D Cable Pin Assignments

CN0

VEX	1	51	VEX
EMG	2	52	NC
XLMT+	3	53	ZLMT+
XLMT-	4	54	ZLMT-
X_IN1	5	55	Z_IN1
X_IN2	6	56	Z_IN2
X_IN3	7	57	Z_IN3
YLMT+	8	58	ULMT+
YLMT-	9	59	ULMT-
Y_IN1	10	60	U_IN1
Y_IN2	11	61	U_IN2
Y_IN3	12	62	U_IN3
X_INPOS	13	63	Z_INPOS
X_ALARM	14	64	Z_ALARM
XECAP	15	65	ZECAP
XECAN	16	66	ZECAN
XECBP	17	67	ZECBP
XECBN	18	68	ZECBN
XINOP	19	69	ZINOP
XINON	20	70	ZINON
Y_INPOS	21	71	U_INPOS
Y_ALARM	22	72	U_ALARM
YECAP	23	73	UECAP
YECAN	24	74	UECAN
YECBP	25	75	UECBP
YECBN	26	76	UECBN
YINOP	27	77	UINOP
YINON	28	78	UINON
XEXOP+	29	79	ZEXOP+
XEXOP-	30	80	ZEXOP-
YEXOP+	31	81	UEXOP+
YEXOP-	32	82	UEXOP-
GND	33	83	GND
XOUT4	34	84	ZOUT4
XOUT5	35	85	ZOUT5
XOUT6	36	86	ZOUT6
XOUT7	37	87	ZOUT7
XP+P	38	88	ZP+P
XP+N	39	89	ZP+N
XP-P	40	90	ZP-P
XP-N	41	91	ZP-N
GND	42	92	GND
YOUT4	43	93	UOUT4
YOUT5	44	94	UOUT5
YOUT6	45	95	UOUT6
YOUT7	46	96	UOUT7
YP+P	47	97	UP+P
YP+N	48	98	UP+N
YP-P	49	99	UP-P
YP-N	50	100	UP-N

CN1

VEX	1	26	EMG
XLMT+	2	27	XLMT-
X_IN1	3	28	X_IN2
X_IN3	4	29	YLMT+
YLMT-	5	30	Y_IN1
Y_IN2	6	31	Y_IN3
X_INPOS	7	32	X_ALARM
XECAP	8	33	XECAN
XECBP	9	34	XECBN
XINOP	10	35	XINON
Y_INPOS	11	36	Y_ALARM
YECAP	12	37	YECAN
YECBP	13	38	YECBN
YINOP	14	39	YINON
XEXOP+	15	40	XEXOP-
YEXOP+	16	41	YEXOP-
GND	17	42	XOUT4
XOUT5	18	43	XOUT6
XOUT7	19	44	XP+P
XP+N	20	45	XP-P
XP-N	21	46	GND
YOUT4	22	47	YOUT5
YOUT6	23	48	YOUT7
YP+P	24	49	YP+N
YP-P	25	50	YP-N

CN2

VEX	1	26	NC
ZLMT+	2	27	ZLMT-
Z_IN1	3	28	Z_IN2
Z_IN3	4	29	ULMT+
ULMT-	5	30	U_IN1
U_IN2	6	31	U_IN3
Z_INPOS	7	32	Z_ALARM
ZECAP	8	33	ZECAN
ZECBP	9	34	ZECBN
ZINOP	10	35	ZINON
U_INPOS	11	36	U_ALARM
UECAP	12	37	UECAN
UECBP	13	38	UECBN
UINOP	14	39	UINON
ZEXOP+	15	40	ZEXOP-
UEXOP+	16	41	UEXOP-
GND	17	42	ZOUT4
ZOUT5	18	43	ZOUT6
ZOUT7	19	44	ZP+P
ZP+N	20	45	ZP-P
ZP-N	21	46	GND
UOUT4	22	47	UOUT5
UOUT6	23	48	UOUT7
UP+P	24	49	UP+N
UP-P	25	50	UP-N

APPENDIX

E

Wiring with Third-Party Motor Drivers

Appendix E Wiring with Third-Party Motor Drivers

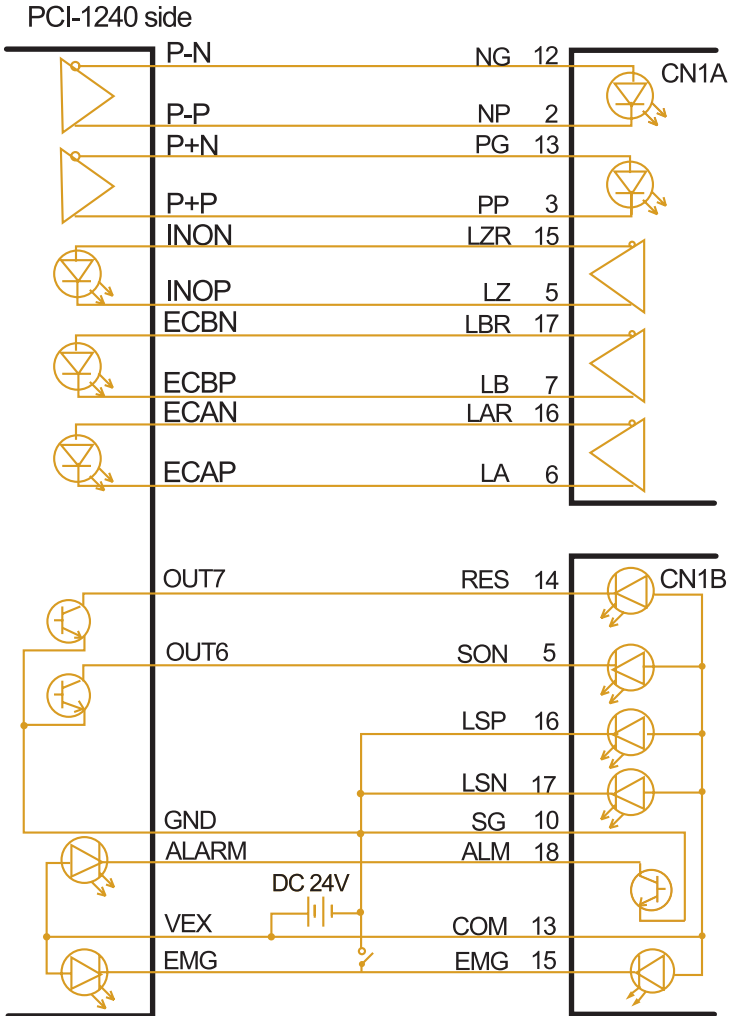


Figure E.1: Wiring Diagram with Mitsubishi MR-J2S Series Motor Driver

PCI-1240 side

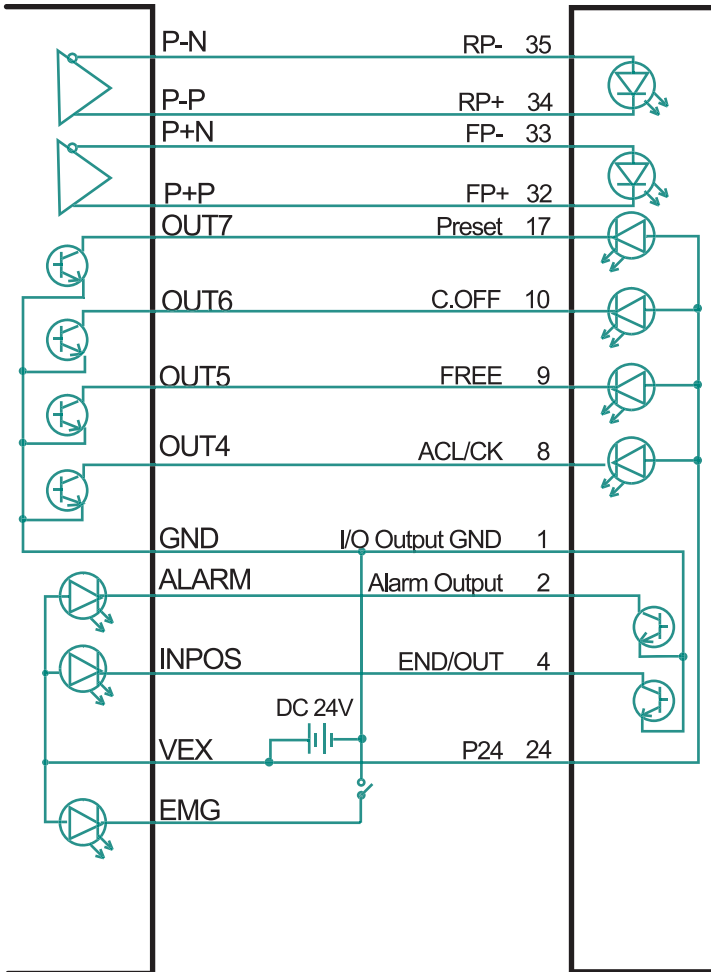


Figure E.2: Wiring Diagram with Oriental LIMO EZMC Series Motor Driver

PCI-1240 side

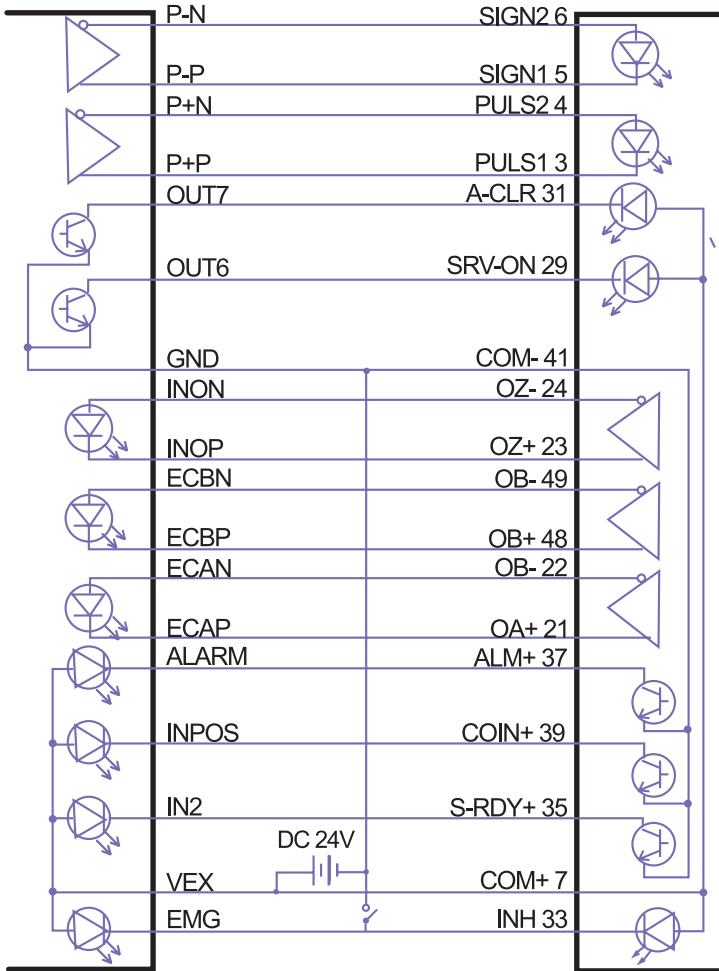


Figure E.3: Wiring Diagram with Panasonic MINAS-A Series Motor Driver

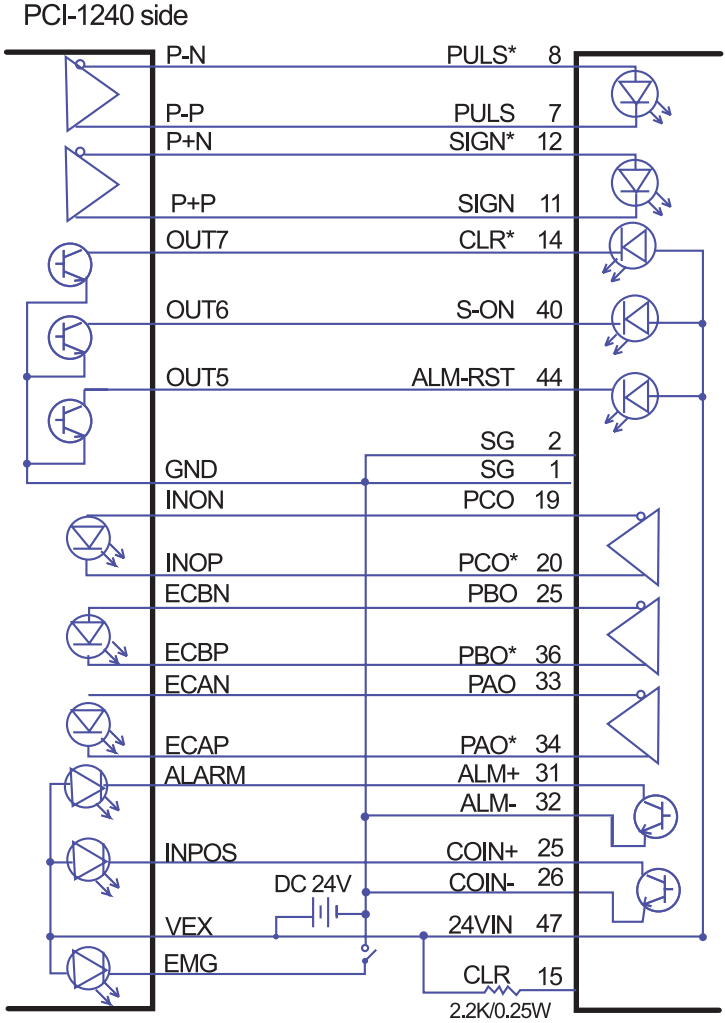


Figure E.4: Wiring Diagram with Yaskawa SGDM Series Motor Driver

