

C11W

1.3MP Cube with Basic WDR, Fixed Lens



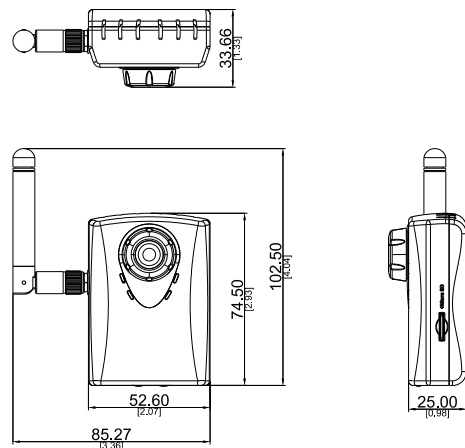
- 1.3 Megapixel with 720p
- Fixed Lens with f3.6mm / F1.8
- Basic WDR (74 dB)
- 30 fps at 1280 x 720
- Wi-Fi Wireless Connectivity

PHOTO INDICATION



- | | | |
|-----------------|-----------------------|--------------------|
| 1 Power Input | 3 Audio Output | 5 Antenna |
| 2 Ethernet Port | 4 Built-in Microphone | 6 Memory Card Slot |
| | 7 Reset Button | |

DIMENSION DIAGRAM



Unit: mm [inch]

PRODUCT SPECIFICATION**C11W****• Device**

Device Type	Cube Camera
Image Sensor	Progressive Scan CMOS
Sensor Size	1/4"
Effective Pixels	1280 (H) x 1024 (V) (1.31 MP)
Horizontal Resolution	800 TVL
Day / Night	No
Low Light Sensitivity	Standard
Minimum Illumination	Color: 0.5 lux at F1.8 (30 IRE, 2400 °K)
Mechanical IR Cut Filter	No
IR Sensitivity Range	No
Electronic Shutter	1/30 ~ 1/16,000 sec (manual mode); 1/30 ~ 1/16,000 sec (auto mode)
S/N Ratio	52 dB

• Lens

Focal Length / Aperture	Fixed focal, f3.6mm / F1.8
Iris	Fixed iris
Focus	Manual focus
Lens Mount	Board Mount
Horizontal Viewing Angle	50°

• Video

Compression	H.264 Main Profile, MJPEG
Max. Frame Rate vs. Resolution	30 fps at 1280 x 1024; 30 fps at 1280 x 720; 30 fps at 640 x 480; 30 fps 320 x 240; 30 fps at 160 x 120; 30 fps at 160 x 80
Multi-Streaming	Simultaneous dual streams based on two configurations
Image Enhancement	Basic WDR (75 dB); White balance: automatic and manual; Brightness; Contrast; Sharpness (auto); 3D noise reduction; Defogging
Privacy Mask	7 Regions
Text Overlay	User defined text on video
Image Orientation	Image flip and mirror

• Audio

Compression	8kHz, Mono, PCM, 16 bit encoding; G.711 64kbps, G.726 32kbps
Audio-In	Built-in microphone
Audio-Out	3.5mm phone jack

• Network

Protocol & Service	IPv6, IPv4, TCP, UDP, HTTP, HTTPS, SMTP, FTP, NTP, DNS, DDNS, DHCP, DIPS, ARP, Bonjour, UPnP, RTSP, RTP, RTCP, IGMP, PPPoE, 3GPP, Samba, ICMP, QoS, SNMP
Ethernet Port	1, Ethernet (10/100 Base-T), RJ-45 connector
Wireless	Yes (IEEE 802.11b/g/n)
Security	IP address filtering; HTTPs encryption; Password protected user levels; Anonymous login; IEEE802.1X network access control

• Alarm

Alarm Trigger	Camera tampering, Video motion detection (10 regions); Sound detection
Alarm Response	Command other devices; E-mail notification; Save video or snapshot to local storage; Upload video or snapshot to FTP server

• Interface

Local Storage	MicroSDHC memory card slot (card not included)
---------------	------------------------------------------------

• General

Power Source / Consumption	DC 12V / 8 W
Weight	80 g (0.176 lb)
Dimensions (W x H x D)	74.5 mm x 52.6 mm x 33.6mm (2.9" x 2.18" x 1.3")
Bundled Accessories	Bracket, Antenna, AC 100-240V to DC 12V power adaptor
Mount Type	Wall, Ceiling
Starting Temperature	0°C ~ 40°C (32°F ~ 104°F)
Operating Temperature	0°C ~ 40°C (32°F ~ 104°F)
Operating Humidity	20% ~ 80% RH
Approvals	CE (EN 55022 Class A, EN 55024), FCC (Part15 Subpart B Class A)

• Integration

Unified Solution	Fully compatible with ACTi software
ISV Integration	Software Development Kit (SDK) available; ONVIF compliant
GPS Position	Manual setting
Firmware Access Browser	Microsoft Internet Explorer 9.0 or newer (full functionality), Firefox 2.0 or later, Safari with QuickTime installed, and other browsers with VLC installed (partial functionality)