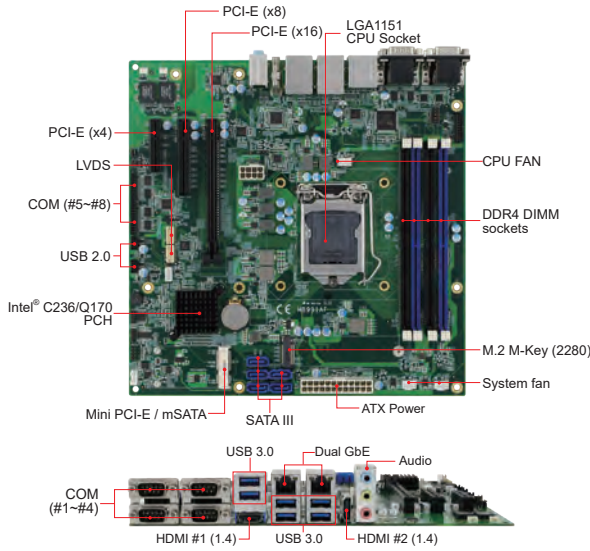


MB991

Micro ATX Motherboard

7th/6th Gen Intel® Xeon E3 / Core™ i7/i5/i3 Pentium®/Celeron®
Micro ATX Motherboard w/ Intel® C236 PCH



Features

- 7th/ 6th Gen Intel® Xeon E3/Core™ i7/i5/i3 / Pentium® / Celeron® QC/DC processors, up to 4.2GHz
- 4x DDR4 DIMM, Max. 64GB
- Intel® processor integrated graphics, supports HDMI, LVDS
- Dual Intel® Gigabit LAN
- 4x USB 2.0, 6x USB 3.0, 8x COM, 5x SATAIII
- 1x PCI-E (x16) [(x8) Link], 1x PCI-E (x8), 1x PCI-E (x4)
- 1x Mini PCI-E, 1x M.2 M-key (2280)
- Watchdog timer, Digital I/O, iAMT (11.6), TPM (2.0), iSMART

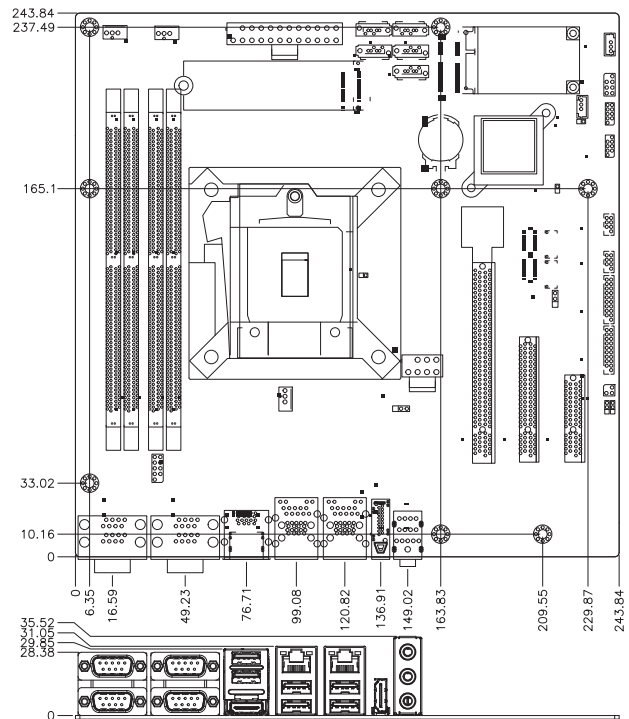
Specifications

CPU Socket	LGA1151
CPU	7th/6th Gen Intel® Xeon E3/Core™ i7/i5/i3/ Pentium® / Celeron® QC/ DC processors, up to 4.2GHz
PCH	MB991AF-C236: Intel® C236 PCH MB991AF: Intel® Q170 PCH
Memory Types	4x DDR4 DIMM, Max. 64GB (supports ECC by CPU SKUs)
BIOS	AMI
Watchdog Timer	256 levels
H/W Monitor	Yes
Storage Device Interface	1x mSATA via Mini PCI-E (Thru SATA III) 1x M.2 slot [Thru PCI-E (x1) x4](NVMe)
Expansion Slots	1x PCI-E (x16), 1x PCI-E (x8), 1x PCI-E (x4) 1x M.2 (2280)
Mini Type Slots	1x Mini PCI-E
Graphics Controller	7th/6th Gen Intel® Core™ i7/i5/i3/ Pentium®/ Celeron® processor Integrated
Video Output	2x HDMI (1.4) and LVDS
Ethernet	Intel® I219LM Gigabit LAN PHY Intel® I211AT PCI-E Gigabit LAN
I/O Chip	Fintek F81846AD-I + F81504D
Serial Post	6x RS232, 2x RS232/422/485 (jumperless selection)
USB 2.0	4x USB 2.0 via pin-header
USB 3.0/ 3.1	6x USB 3.0 on board
Serial ATA	5x SATA III
Audio	Intel® C236 / Q170 PCH built-in HD audio + Realtek ALC662 codec
TPM	TPM (2.0)
Others	Digital I/O (4-in/4-out), RAID, iAMT (11.6), iSMART
Dimensions (L x W)	244mm x 244mm (9.6" x 9.6")
Power Consumption	Intel® Core i7-6700, 3.4GHz, w/ 4x 8GB DDR4-2133 12V: 7.1A +5V: 1.81A +5VSB: 0.11A +3.3V, 0.70A
Operating Temperature	0°C~60°C (32°F~140°F)
Storage Temperature	-20°C~80°C (-4°F~176°F)
Relative Humidity	90% (non-condensing @60°C)

Ordering Information

MB991AF-C236	LGA1151 C236 Micro ATX motherboard w/ 2x HDMI (1.4) and LVDS, dual Gigabit LAN, RAID, iAMT (11.6), TPM (2.0), iSMART
MB991AF	LGA1151 Q170 Micro ATX motherboard w/ 2x HDMI (1.4) and LVDS, dual Gigabit LAN, RAID, iAMT (11.6), TPM (2.0), iSMART

Dimensions and Drawing



1

CPU Modules

2

Disk-Size SBCs

3

Motherboards

4

CPU Cards