

# FM07P, 7-inch Vehicle Mounted Computer

A Rugged Vehicle Mounted Computer for Data Collection in Warehouse and Logistics Applications

FM07P is a rugged vehicle mounted computer delivering flexibility and mobility in a vehicle-mount form factor; designed to be easily mounted on a vehicle. FM07P fits seamlessly into forklifts and other warehouse vehicles. It will help minimize errors, streamline ordering and inventory management, and improve operational efficiencies. The processing power comes from Intel® Celeron N3350 (Apollo Lake) processor. The computer features a brilliant projected capacitive multi-touch screen, and offers 1024 x 600 pixel resolution.



## Highlights

- Intel® Celeron N3350 (Apollo Lake) Processor
- 7" 1024 x 600 panel with projected capacitive multi-touch screen
- Wide power input 9-36V DC with ignition optional isolation power solution
- Wi-Fi, BT WLAN and GPS for wireless connectivity
- Wide operating temperature range -20°C to 60°C
- Shock and vibration resistance according to MIL-STD-810G

# FM07P, 7-inch Vehicle Mounted Computer

A Rugged Vehicle Mounted Computer for Data Collection in Warehouse and Logistics Applications

## Display Specification

Size	7-inch display
Resolution	1024 x 600
Brightness	1000 nit
Touch	Projected capacitive multi-touch
Contrast Ratio	700:1
Viewing Angle	75/75/75/70

## System Specification

Processor	Intel® Celeron N3350, 2M Cache
System Memory	2GB SODIMM DDR3L-1600 (up to 8GB) <sup>1</sup>
Storage	64GB M.2 solid state drive SSD
Operating System	Windows® 10 IoT Enterprise, Ubuntu 18.04

## Wireless Communication

WLAN	802.11 a/b/g/n/ac
GPS	u-Blox Neo-M8N
WWAN	Optional 4G/ LTE or 3G
BT	BT

## Interface

Computer	2 x RS232 ; 1 x RS485 1 x Gigabit Ethernet LAN 10/100/100 Mbps 1 x DIDO, CANBus 1 x Power input 9-36V DC with ignition 1 x SIM Card Slot (Optional for WWAN) 2 x USB 1 x HDMI Wi-Fi Antenna Optional WWAN Antenna Optional GPS Antenna
----------	---

## Keyboard and Input

Touch	Projected capacitive
Button	• On-screen QWERTY keyboard • Front : 5 x function key (Programmable function key configured by Winset Utility) • Top : 1 x Power button
LED Indicators	Power, Storage

## Audio

Speaker	1 Watt speaker, located on the back cover
---------	---

## Power Management

Power Input	9V-36V, with ignition control
-------------	-------------------------------

## Mechanical and Environment

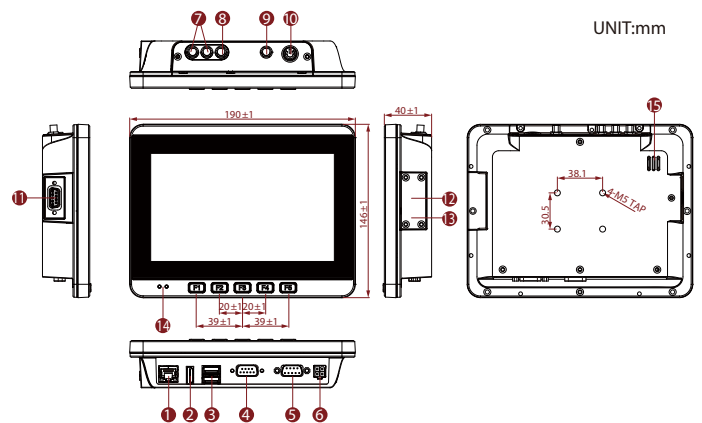
Dimension (W x L x H)	188.75 x 144.75 x 39.5 mm (7.43 x 5.70 x 1.56 inches) <sup>2</sup>
Weight	1.0 kg (2.20 lbs)
Housing	Back cover aluminum housing
Mounting	RAM Mount, VESA Mount (75x75mm)
Cooling System	Fanless design
Operating Temperature	-20°C to 60°C (-4° to 140° F)
Storage Temperature	-30°C to 70°C (-22° to 158° F)
Humidity	10% to 95% RH, non-condensing
Shock	MIL-STD-810G Method 516.6 Procedure I, 30 g for 18 ms, 300 m/s <sup>2</sup>
Vibration	MIL-STD-810G Method 514.6 Procedure I, 1.60/ 1.96/ 2.18 g rms for XYZ/ 5-500 Hz
Certifications	CE, FCC

## Isolation Power Solution (Optional)

Power Rating	9-36V
Isolation	Support
Ignition	Support
Power consumption	40W
Surge protection	3.5KV
Load dump protection	200 V



Drawing <sup>3</sup>



- |                            |                   |
|----------------------------|-------------------|
| 1. LAN                     | 9. Wi-Fi Antenna  |
| 2. HDMI                    | 10. Power Button  |
| 3. 2 x USB                 | 11. RS232         |
| 4. RS232                   | 12. SIM Card Slot |
| 5. CANBUS / DIDO / RS485   | 13. Audio         |
| 6. 9-36DC with Ignition    | 14. LED           |
| 7. WWAN Antenna (Optional) | 15. Speaker       |
| 8. GPS Antenna (Optional)  |                   |



Do not expose bare skin to this product when handling this unit in extreme hot or cold environments

- Total usable memory will be less depending upon actual system configuration.
- Length measurements do not include protrusions. Weight varies with options.
- Accessories may vary depending on your configuration.