



I-8068



I-8068-G

8-ch Power Relay Module

Features

- 4 Form A & 4 Form C Relay Output
- ±4 kV ESD Protection



Introduction

The I-8068 provides 4 Form A power relay output channels and 4 Form C power relay output channels. The I-8068 include 8 LED indicators for monitoring the relay output status.

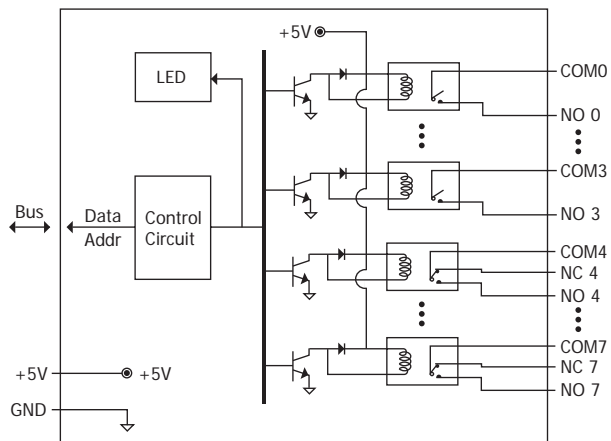
System Specifications

LED Indicators/Display	
System LED Indictors	1 LED as Power Indicator
I/O LED Indicators	8 LEDs as Power Relay Output Indicators
Isolation	
Intra-module Isolation, Field-to-Logic	3750 Vdc
EMS Protection	
ESD (IEC 61000-4-2)	±4 kV Contact for each Terminal
Power	
Power Consumption	2.5 W max.
Mechanical	
Dimensions (W x L x H)	31 mm x 116 mm x 88 mm
Environment	
Operating Temperature	-25 ~ +75 °C
Storage Temperature	-40 ~ +85 °C
Humidity	10 ~ 90% RH, Non-condensing

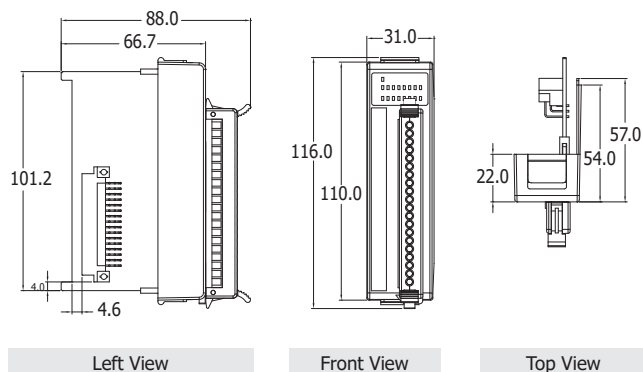
I/O Specifications

Relay Output	
Channels	8 (4 x Form A, 4 x Form C)
Type	Power Relay
Contact Rating	1 A @ 120 VAC; 1 A @ 60 VDC
Operate Time	5 ms Max.
Release Time	3 ms Max.
Electrical Endurance	500,000 ops. (rated load)
Mechanical Endurance	100,000,000 ops. (no load)

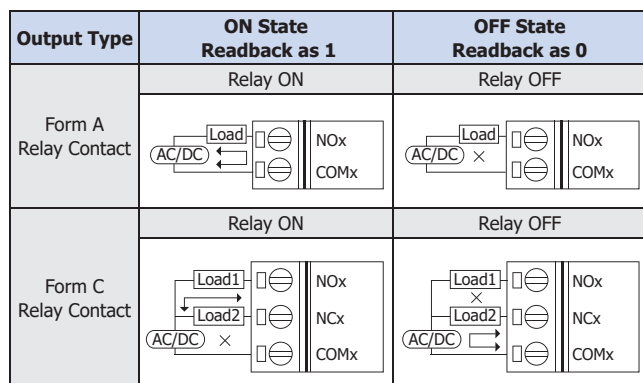
Internal I/O Structure



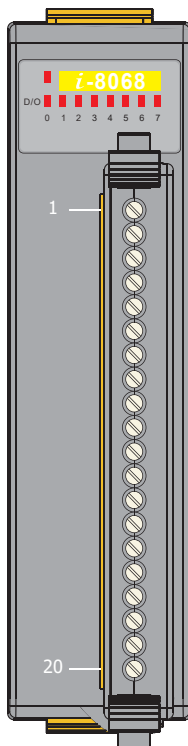
Dimensions (Units: mm)



Wire Connections



Pin Assignments



Terminal No.	Pin Assignment
01	NO0
02	COM0
03	NO1
04	COM1
05	NO2
06	COM2
07	NO3
08	COM3
09	NO4
10	NC4
11	COM4
12	NO5
13	NC5
14	COM5
15	NO6
16	NC6
17	COM6
18	NO7
19	NC7
20	COM7

Ordering Information

I-8068 CR	4-ch Form A and 4-ch Form C Power Relay Module (Blue Cover) (RoHS)
I-8068-G CR	4-ch Form A and 4-ch Form C Power Relay Module (Gray Cover) (RoHS)