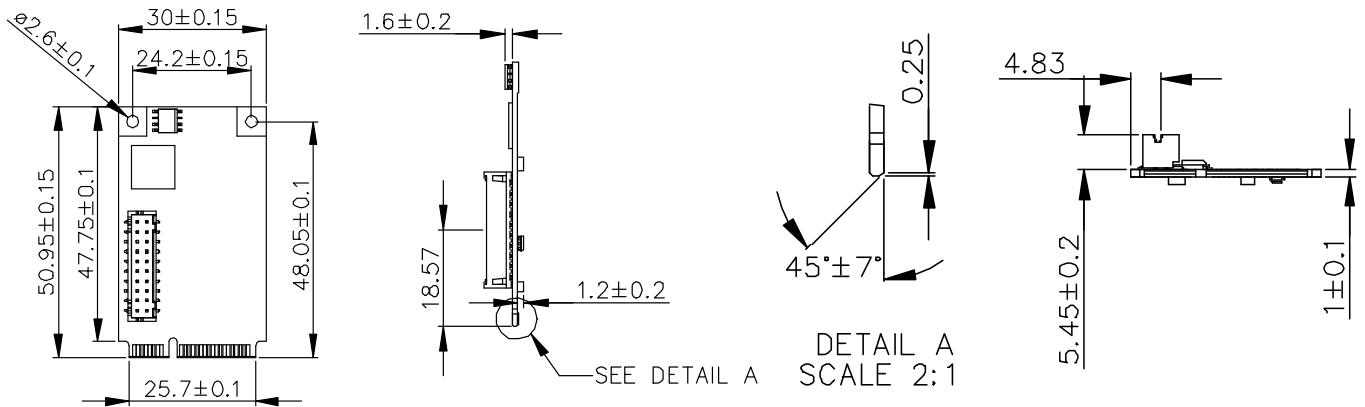


### Features

- Single isolated GbE LAN ports
- Complies with EN61000-4-5 1kV Surge protection
- Complies with IEC 60950-1:2005 + A1: 2009 + A2:2013 2kV HiPOT protection
- Complies with EN61000-4-2 (ESD) Air-15kV, Contact-8kV
- Flexible daughter board with cable to fit into different system
- Optional terminal mounting hole or bracket for daughter board
- Optional Industrial Temperature (-40°C to +85°C) support
- 30μ " golden finger, 3 years warranty
- Industrial design, manufactured in innodisk Taiwan

### Mechanical Drawing



### Specifications

Form-Factor	mPCIe
Input I/F	PCI Express 2.1 x 1
Output I/F	GbE LAN
Output Connector	RJ45 x 1
TDP	0.66W (3.3V, 200mA)
Dimension (WxLxH)	30 x 50.9 x 7.6 mm
Temperature	Operation: STD: 0°C ~ +70°C. W/T: -40°C ~ +85°C Storage: -55°C ~ +95°C
Environment	Vibration: 5G @7~2000Hz, Shock: 50G @ 0.5ms
Notes	Please download driver from MyInnodisk website. Windows: XP(32bit), 7(32/64bit), 8/8.1(32/64 bit), 10(32/64bit) Linux: kernel 2.4 series, 2.6.x and 3.x version.

#### Headquarters (Taiwan)

5F., No.237, Sec. 1, Datong Rd.,  
Xizhi Dist., New Taipei City 221,  
Taiwan

Tel: +886-2-7703-3000  
Email: sales@innodisk.com

#### Branch Offices:

##### USA

[usasales@innodisk.com](mailto:usasales@innodisk.com)  
+1-510-770-9421

##### Europe

[esusales@innodisk.com](mailto:esusales@innodisk.com)  
+31-040-282-1818

##### Japan

[jpsales@innodisk.com](mailto:jpsales@innodisk.com)  
+81-45-594-7581

##### China

[sales\\_cn@innodisk.com](mailto:sales_cn@innodisk.com)  
+86-755-21673689

#### [www.innodisk.com](http://www.innodisk.com)

© 2015 Innodisk Corporation.  
All right reserved. Specifications  
are subject to change without  
prior notice.

November 15, 2016

### Order information

**EMPL-G101-C1 (Terminal mounting hole, Standard Temp.)**

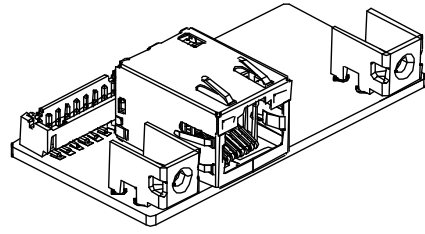
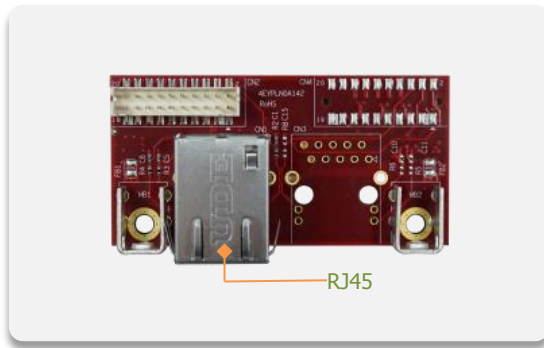
**EMPL-G101-W1 (Terminal mounting hole, Wide Temp.)**

**EMPL-G101-C2 (Bracket, Standard Temp.)**

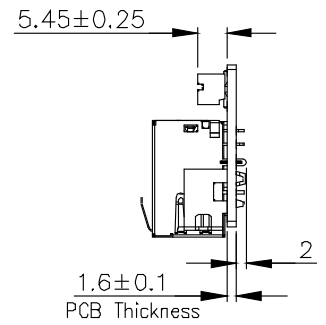
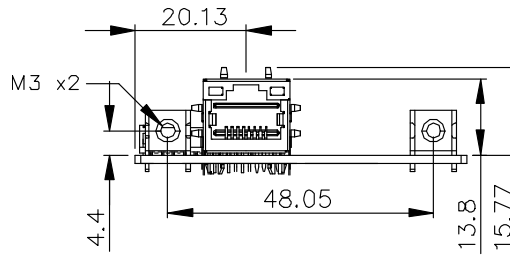
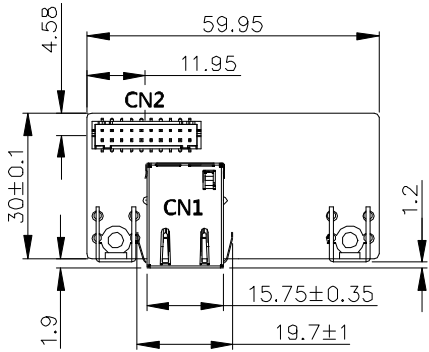
**EMPL-G101-W2 (Bracket, Wide Temp.)**

mPCIe to single GbE LAN Module

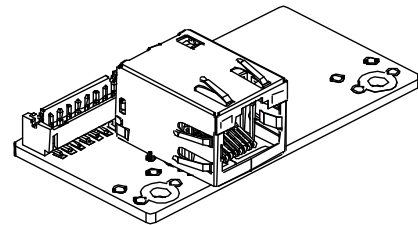
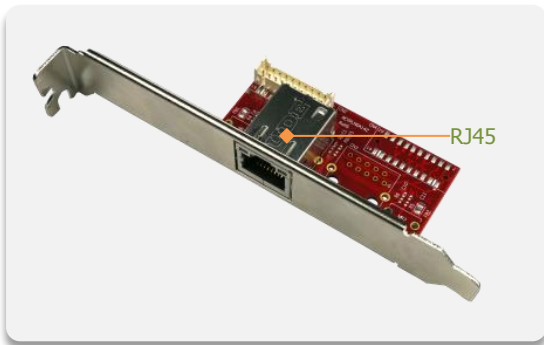
## EMPL-G101-C1/W1 Daughter Board and Mechanical Drawing



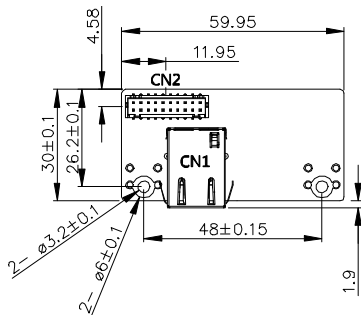
TOLERANCE:  $\pm 0.20\text{mm}$



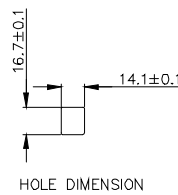
## EMPL-G101-C2/W2 Daughter Board and Mechanical Drawing



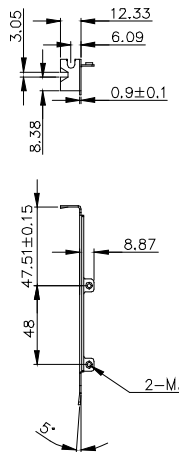
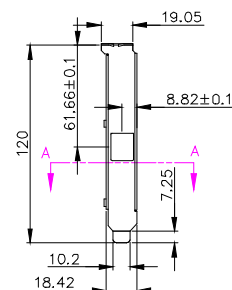
TOLERANCE:  $\pm 0.20\text{mm}$



### Bracket



SECTION A-A



TOLERANCE:  $\pm 0.20\text{mm}$