

8 / 16 Port 17" DVI LCD KVM Console (LD2708 / LD2716)

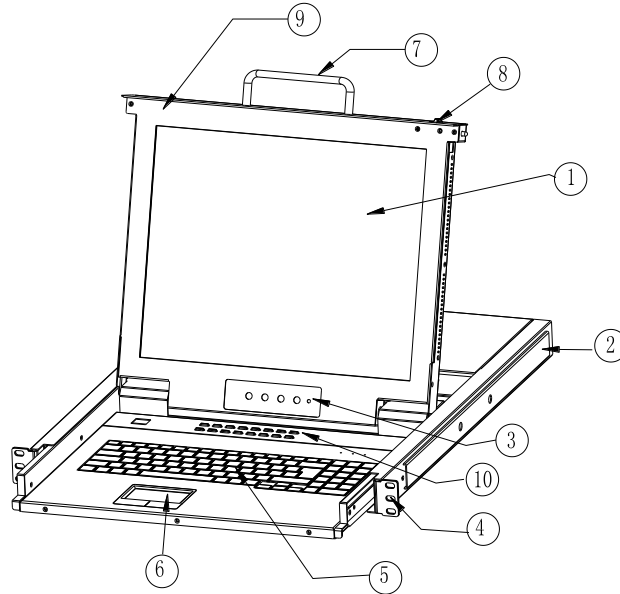


Overview

The KVM console integrates multiple port KVM switches in a 1U height console. It can control multiple computers with one monitor, keyboard and mouse.

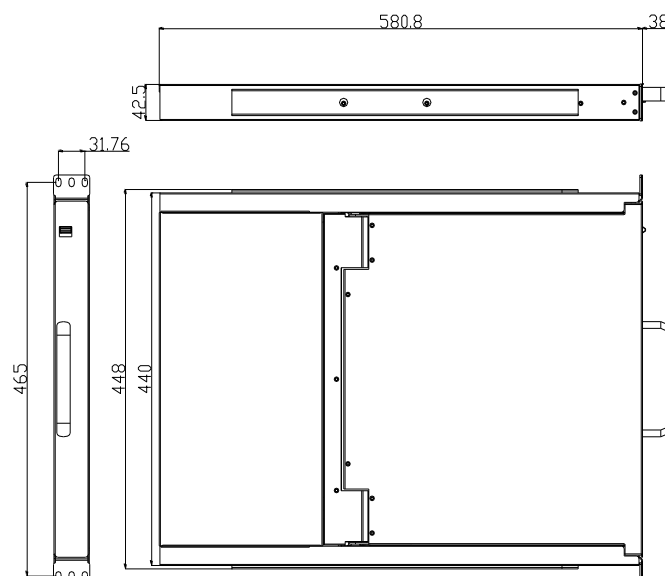
It is easy and fast to install the KVM console, you just need to connect corresponding cables to the right ports of KVM and its module without software configuration.

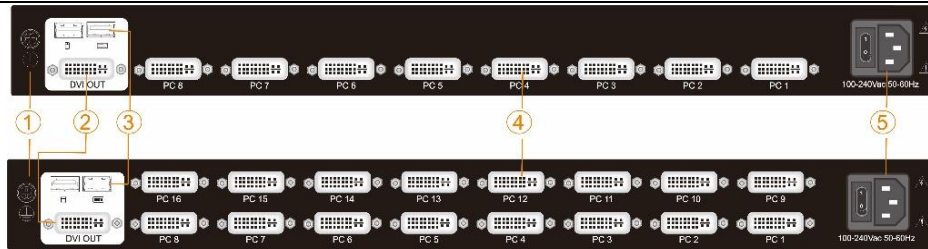
The KVM console can control up to 8 or 16 computers, supports multiple hardware platforms and multiple operating systems.



1 LCD Monitor	6 Touchpad
2 Rear Bracket Slot	7 Handle
3 Display Menu Buttons	8 Release Switch
4 Mounting Bracket	9 Display Panel
5 Keyboard	10 Port Selection Buttons

Structure



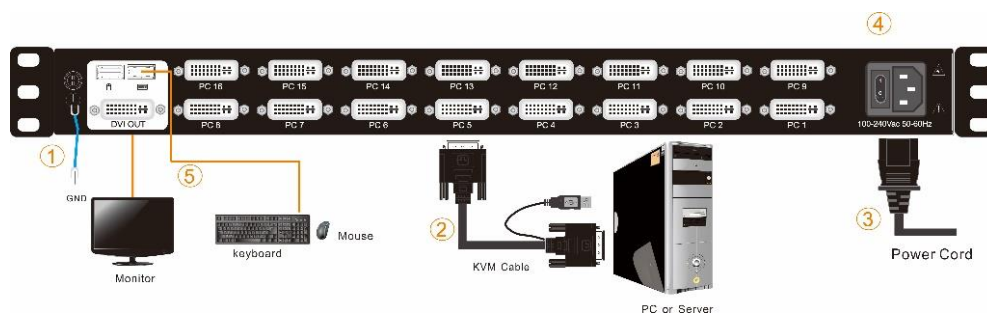


1	Ground Connection Screw	4	PC Port
2	Console Port	5	Power input(AC)
3	USB Port		

Features

- 17” TFT LCD monitor, high brightness, high resolution;
- 1U height, suitable height for standard 19”rack mount, metal structure;
- Ultra slim 99 keys keyboard with small numeric keyboard;
- High resolution and high flexibility with touchpad; with two function buttons and scroll wheel.
- A single console controls up to 8/16 computers
- Fully complied with HDCP
- No software required – select computers via push button, hotkey and OSD
- Broadcast mode--operations simultaneously performed on all selected computers Easily choose servers with mouse
- Multi-platform – Windows, Linux, Mac, Unix
- Complete keyboard and mouse signal simulation to ensure that the booting and switching are correct
- Auto scan feature for monitoring user-selected computers
- Hot pluggable - add or remove computers without having to power down the switch
- Support firmware upgrade

Connection Diagram



Package Contents

- 1x LCD Console
- 1x Power Cord (Regional)
- 1x Quick Start Guide
- 2x Mounting Rails
- 8/16x USB+DVI KVM Cable(1.8m/6ft)

Specifications

Model		LD2708	LD2716
Computer connections	Direct	8	16
	Max	8	16
Port emulation	Keyboard, mouse	PS/2, USB	
LCD Monitor	LCD Model	SXGA TFT	
	View Area	17"	
	Optimum Resolution	1280x1024@60Hz	
	Display Color	16.7 M	
	Brightness	250cd/m ² (T y p)	
	Contrast Ratio	1000 : 1 (T y p)	
	Pixel Pitch(mm)	0.264(H) × 0.264(W)	
Mouse	X/Y Resolution	>1000 points /inch,(40 points/mm)	
	Roll Wheel	Supports scroll wheel function	
Keyboard	99 keys (82 keys main keyboard +17 independent small numeric keyboard)		
Port Selection	Pushbuttons, hotkeys, OSD menu		
Input Power	100V – 240Vac, 50 ~ 60Hz, <1.5A		
DVI Signal	DVI-D		
Power Consumption	22W	25W	
Operating Temperature	0 – 40°C		
Store Temperature	-20 – 60°C		
Humidity	0 – 80% RH, non-condensing		
Net Weight	13.3kg	13.5kg	
Product Dimension (W × D × H)	448mmx581mmx42.5mm		
Package Dimension (W × D × H)	765mmx615mmx185mm		