



# G-4500-3GWA Series

## Quick Start

Date 2010/9/14

### Package Checklist

The package includes the following items:

- One G-4500-3GWA hardware module
- One Quick Start (this manual)
- One companion CD
- One RS-232 download cable (CA-0910)
- One 3G antenna
- Screw Driver
- Two mounting screws (G-4500 only)
- Two L-type wall mount flat pieces (G-4500 only)

	G-4500
Casing	Metal
Dimensions	47 mm x 142 mm x 168 mm (W x L x H)
Installation	DIN-Rail and Wall mount

### Related Documents and Software Utilities

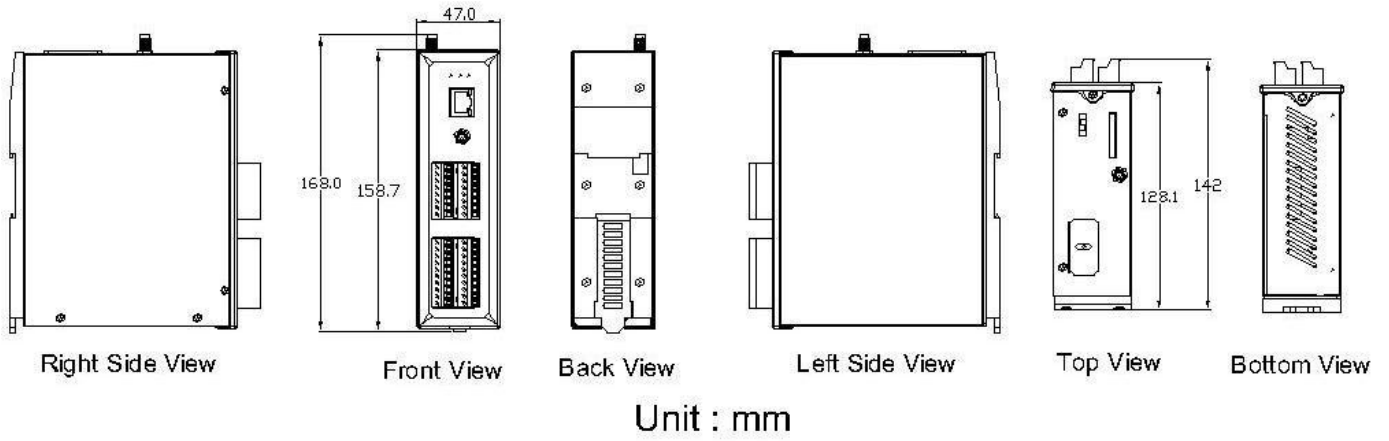
#### Documents

- User Manual: G-4500-3GWA\_User\_Manual.pdf
- Quick Start: G-4500-3GWA\_QuickStart.pdf
- CD: \napdos\G-4500-3GWA\Manual
- <http://ftp.icpdas.com/pub/cd/usbcd/napdos/g-4500-3gwa/manua>  
|

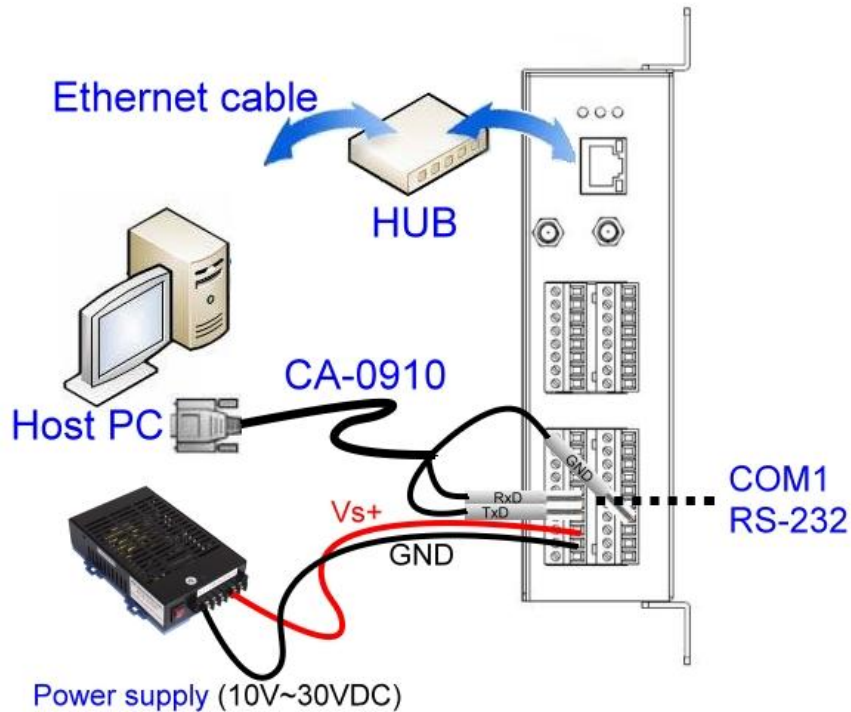
#### MiniOS7 Utility

- [Http://ftp.icpdas.com/pub/cd/8000cd/napdos/minios7/utility/minios7\\_utility/](Http://ftp.icpdas.com/pub/cd/8000cd/napdos/minios7/utility/minios7_utility/)

## ➤ G-4500-3GWA Dimensions (Unit: mm)



## ➤ Connect the G-4500-3GWA to power and Host PC



## ➤ Operation Mode Switch

Operation Mode Switch	
RUN	OS can execute autoexec.bat
	Flash can be read/write.
LRun	OS can execute autoexec.bat
	Flash is read only (lock).
INIT	OS can not execute autoexec.bat
	Flash can be read/write.

## ➤ Wire Connection

### ● Digital Input Wire Connection

Input Type	ON State DI value as 0	OFF State DI value as 1
Relay Contact		
TTL/CMOS Logic		
Open Collector		

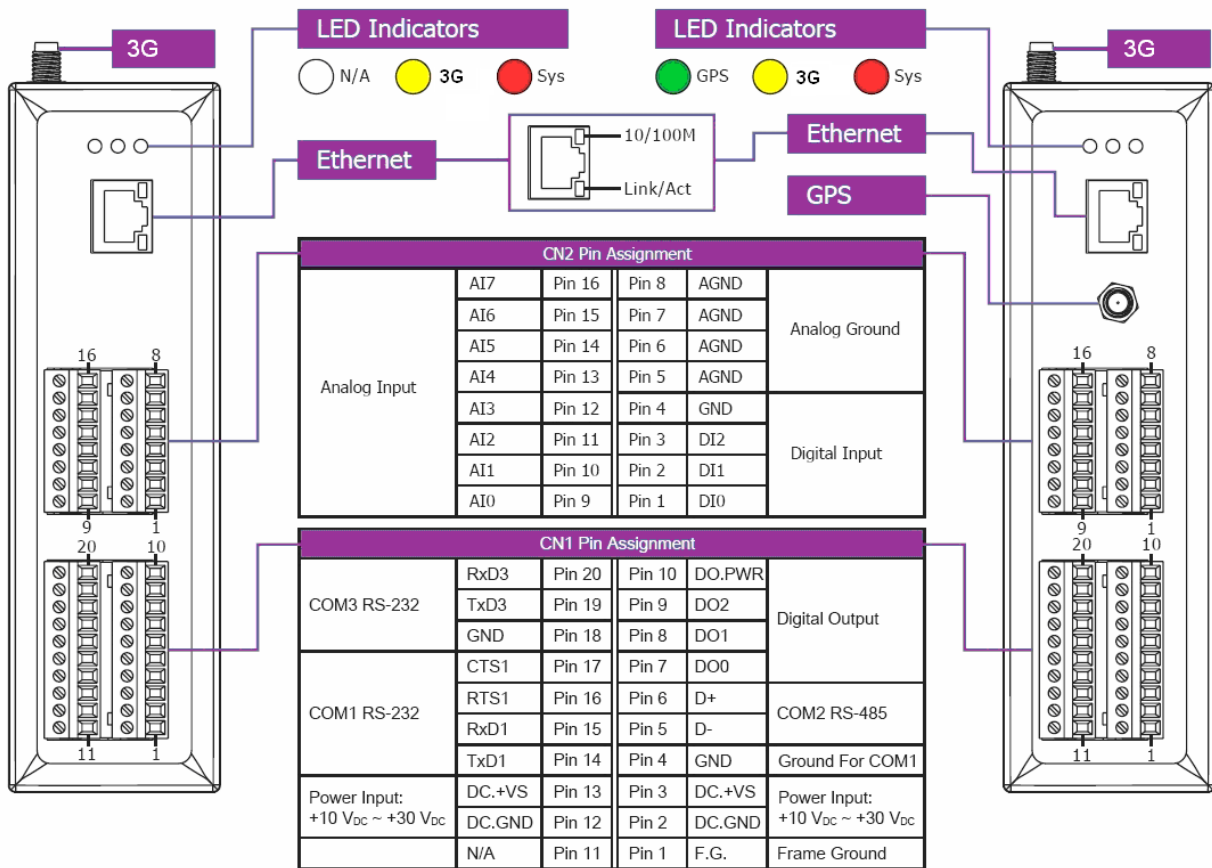
### ● Digital Output Wire Connection

Input Type	ON State DO value as 1	OFF State DO value as 0
Drive Relay		
Resistance Load		

### ● Current Input Wire Connection

Input Type	
------------	--

## ➤ Pin Assignments

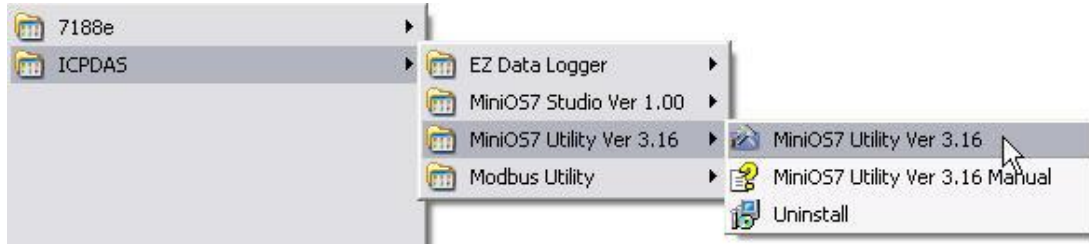


## ➤ Install MiniOS7 Utility

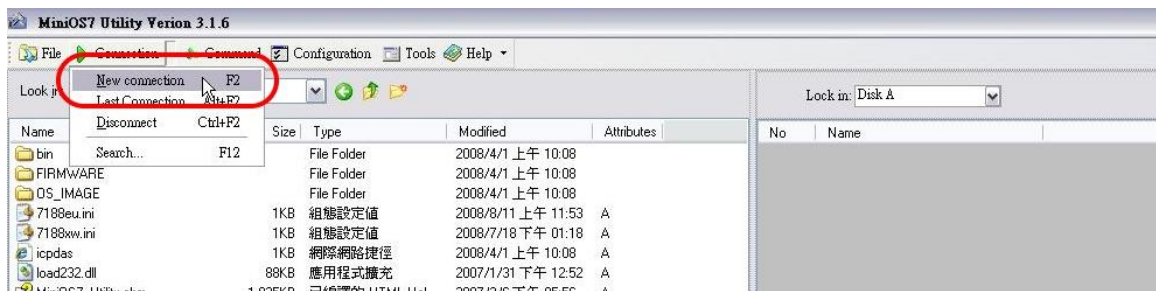
The installation software can be obtained from:

[http://ftp.icpdas.com/pub/cd/8000cd/napdos/minios7/utility/minios7\\_utility/](http://ftp.icpdas.com/pub/cd/8000cd/napdos/minios7/utility/minios7_utility/)

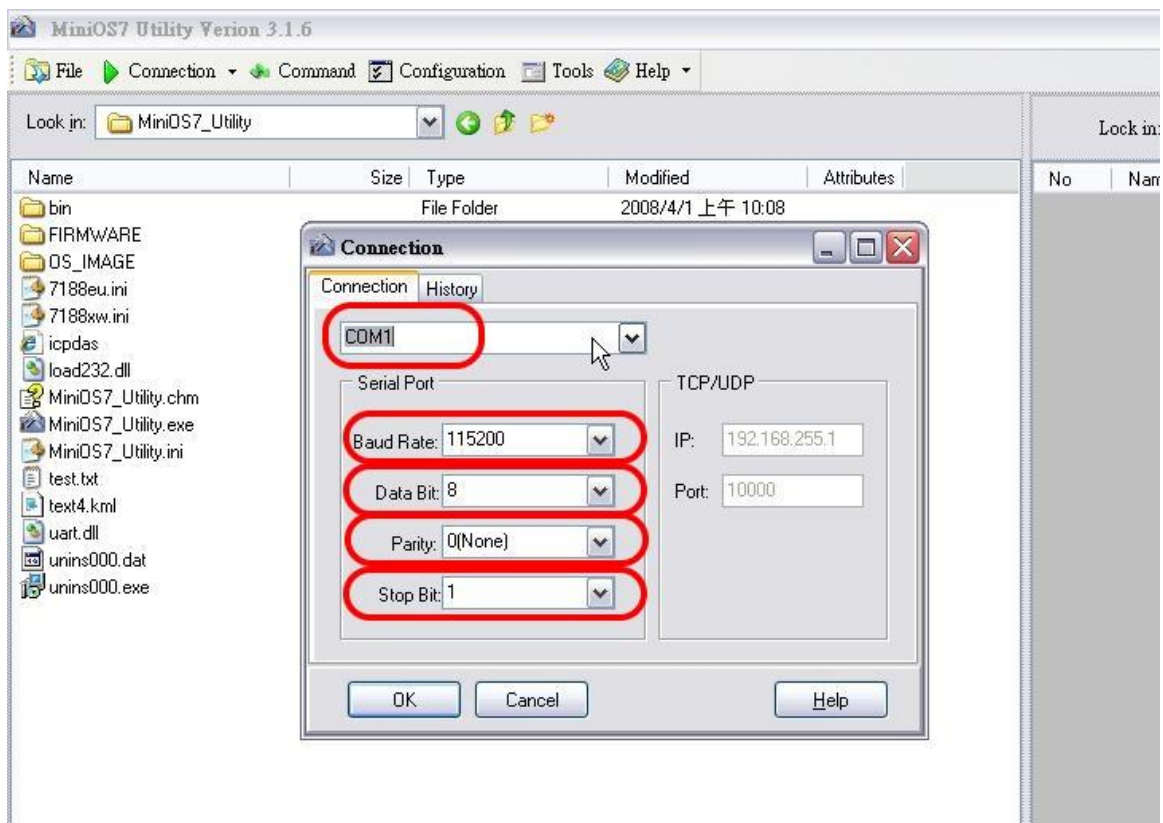
## ➤ Launch MiniOS7 Utility



## ➤ Select connect G-4500 to Host PC



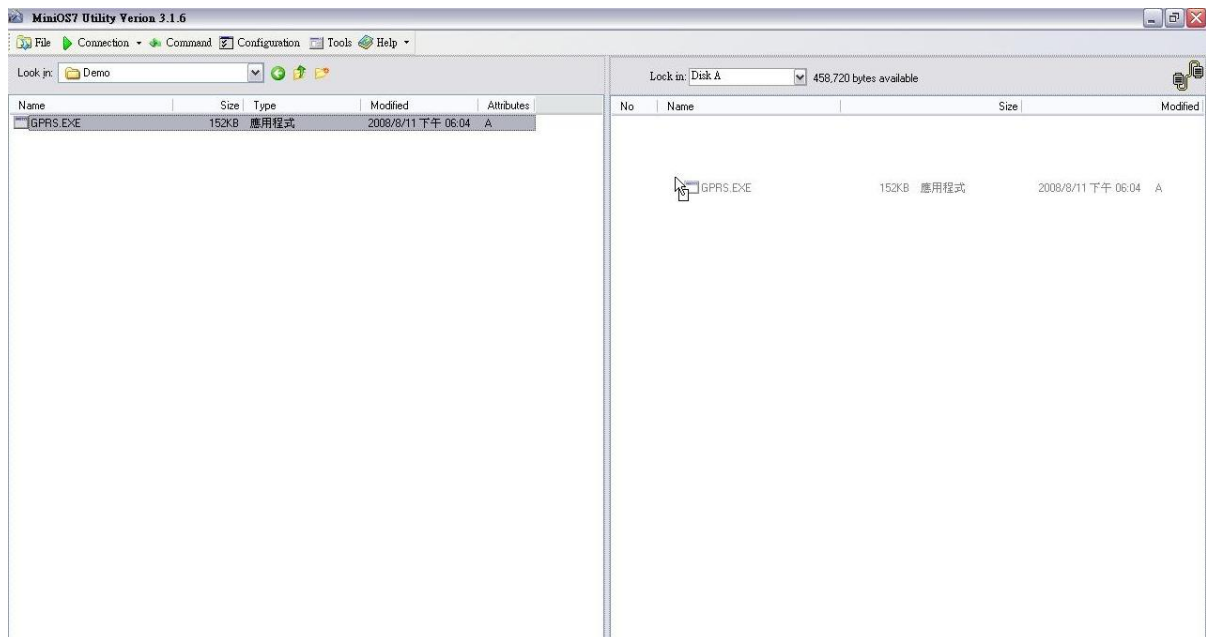
## ➤ Setup the COM Port parameter



**Note: G-4500 default COM Port parameter 115200, 8, N, 1**

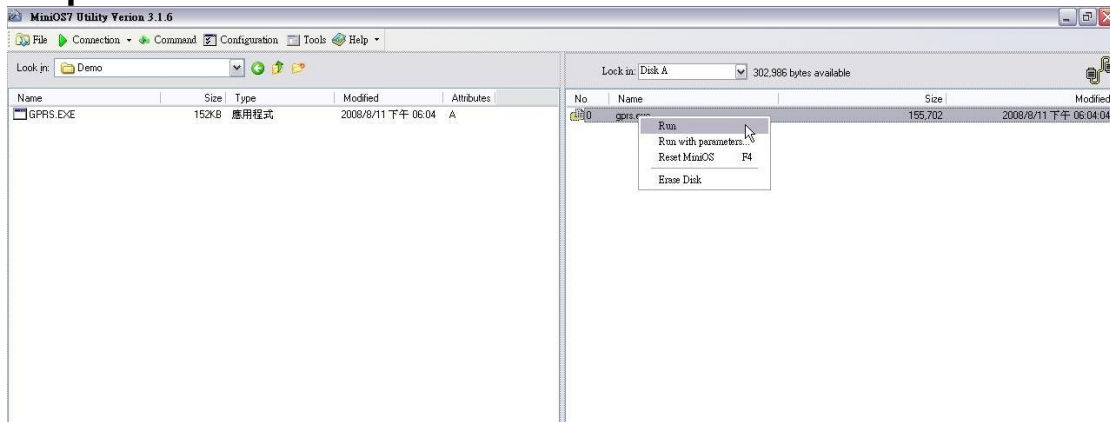
## ➤ Download Demo into the G-4500

1. You can be obtained from the following location:  
CD: \napdos\G-4500-3GWA\Software\Demo  
[Http://ftp.icpdas.com/pub/cd/usbcd/napdos/g-4500-3gwa/software/demo](http://ftp.icpdas.com/pub/cd/usbcd/napdos/g-4500-3gwa/software/demo)
2. Click the “Look in” pull-down menu to the location of Demo.
3. Drag-and-drop the files from left hand window to right hand window.

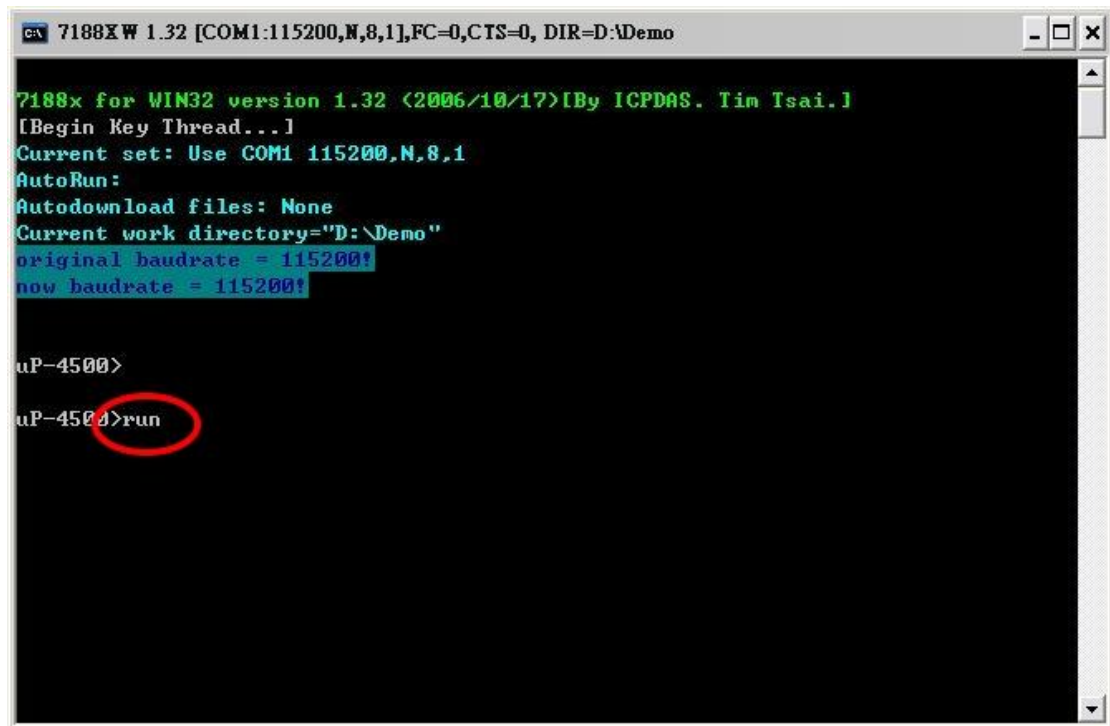


## ➤ RUN the Demo

### Step1.



**Step2. Key in the command, “run”, to implement the execution file.**



## ➤ Technical Support

1. ICP DAS Service : [service@icpdas.com](mailto:service@icpdas.com)

2. G-4500 software Website:

[http://www.icpdas.com/products/GSM\\_GPRS/GPRS/G-4500.htm](http://www.icpdas.com/products/GSM_GPRS/GPRS/G-4500.htm)