

SCMD-MOAC/MODC

Miniature Digital Output Modules



Description

The SCMD digital output modules are used for switching AC and DC loads such as relays, solenoids, motor starters, or indicator lamps. All models provide up to 4000Vrms of optical isolation between the field device and the control logic. The AC output modules incorporate zero voltage switching and an RC snubber circuit which allows switching heavy inductive loads. Functionality is denoted by case color—AC modules are black, and DC modules are red.

Six backpanels are available for mounting SCMD-M digital output modules. See "Accessories" section .

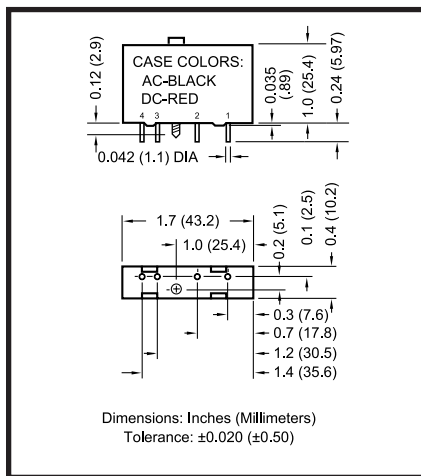


Figure 1: SCMD-MOAC/MODC Physical Dimensions

Digital Output Modules - Model No. Suffixes Identifying Optional Features

Suffix	Feature
A	High voltage versions (280VAC for AC modules, 200VDC for DC modules).
B	High voltage version (280VAC for AC modules) with low leakage output current.
ML	FET output version of DC module, 5.0A, 50VDC.

Features

- AC Modules have High Current Thyristor with 100 Amp Surge Capability
- Zero or Random Turn-On Available in AC Modules
- Plug into Backpanels for Miniature or Full-Sized Modules
- 4000Vrms Optical Isolation (except ML suffix)
- 1500Vrms Optical Isolation (with ML suffix)
- Industry Standard Pinout and Footprint
- 3.5 Amp AC Modules Provide Extra Switching Capability
- 5.0 Amp DC Modules Available
- Operating Temperature -30°C to +80°C
- UL Listed, CSA Certified, CE Compliant

Ordering Information

Model	Output Range	Supply Voltage
SCMD-MOAC5	12 to 140VAC	5V
SCMD-MOAC5A	24 to 280VAC	5V
SCMD-MOAC5B	24 to 280VAC	5V
SCMD-MOAC24	12 to 140VAC	24V
SCMD-MOAC24A	24 to 280VAC	24V
SCMD-MODC5	3.0 to 60VDC	5V
SCMD-MODC5A	5.0 to 200VDC	5V
SCMD-MODC5ML	0 to 50VDC	5V
SCMD-MODC24	3.0 to 60VDC	24V

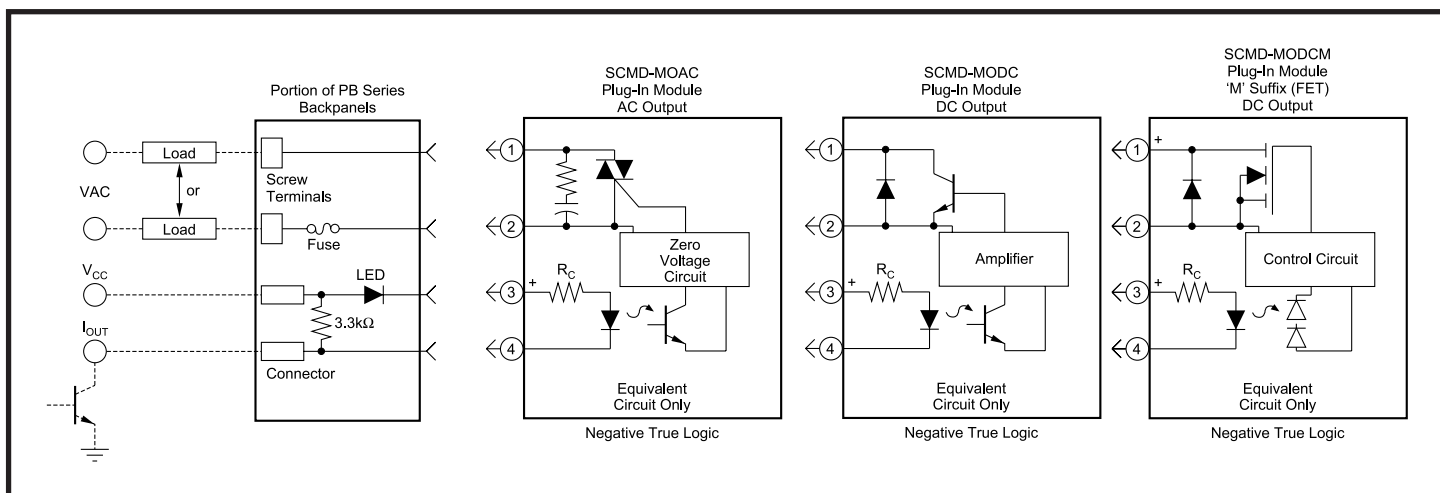


Figure 2: SCMD-MOAC/MODC Circuit Diagrams