

# Winmate M-Series Display

12.1" M-Series Display

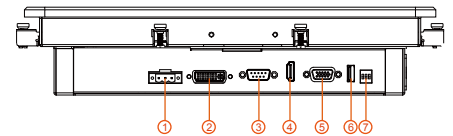
R12L1WS-MHM2HB

## Features:

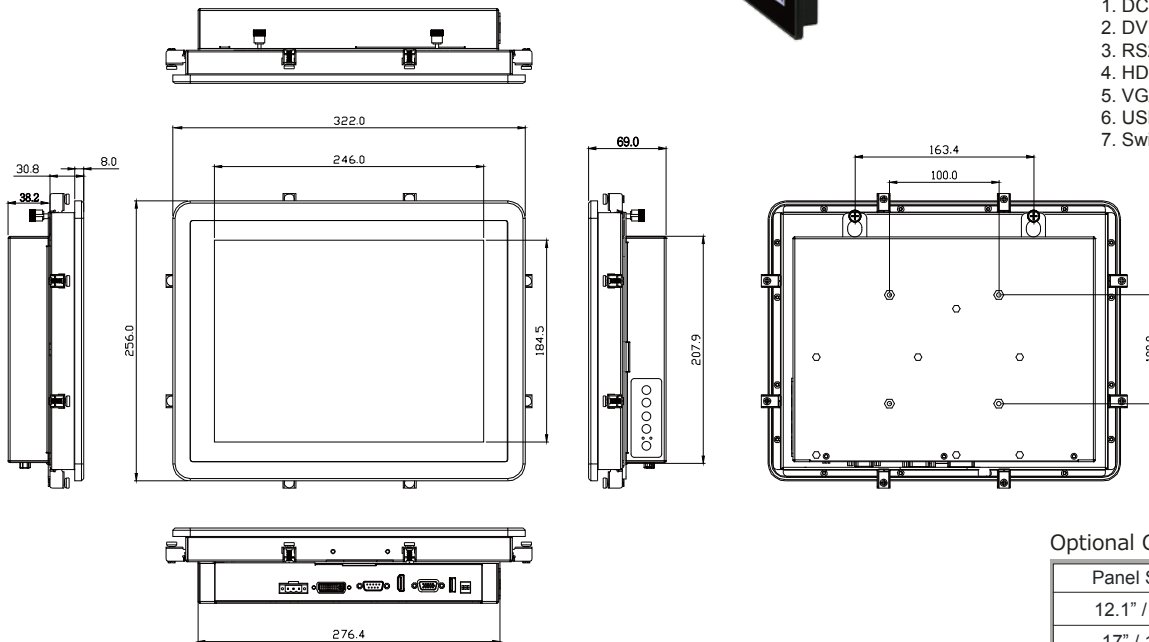
- Changeable front panel design, easy to service and maintain in the field
- VGA / HDMI / DVI input support
- Projected Capacitive Touch screen with front IP65 sealing design
- Switches for panel resolution selection



## I/O Details



1. DC 12V in
2. DVI
3. RS232 for Remote Control
4. HDMI in
5. VGA in
6. USB for Touch
7. Switches for resolution selection



## Optional Changeable Front Panel List:

Panel Size	Resolution
12.1" / 15"	1024 x 768
17" / 19"	1280 x 1024
21.5" / 24"	1920 x 1080

\* Note: this is a simplified drawing and some components are not marked in detail. Please contact our sales representative if you need further product information.

## Display Specification

Display Size	: 12.1"
Active Display Area	: 245.76(H) x 184.32(V)
Pixel Pitch(mm)	: 0.240(H) x 0.240(V)
Display Color	: 262k/16.2M
Resolution	: 1024 x 768
Brightness	: 1000 nits
Contrast Ratio	: 700:1 (Typ.)
Viewing Angle	: 80/80/70/70
Touch Screen	: Projected Capacitive Touch

## Mechanical Specification

Housing	: Aluminum housing
Mouting	: Desktop/Wall Mount

## Power Supply

Power Input	: 12V DC in
Power Adapter	: 110 AC to -240 12 V DC out 50W power Adapter

## Environmental Specification

Operation Temperature	: 0~ 50°C
Operating Humidity	: 30%-95% at 40°C (non-condensing, RH)
IP Rating	: Front: IP66; Rear: IP 20 / Fanless

## I/O Connectors

I/O Connectors	: DC in Terminal Block
	: HDMI in
	: VGA in
	: Switches for resolution selection
	: RS232 for Remote Control
	: DVI in
	: USB for Touch

## Packing List

Touch Driver CD
110-240 AC to 12V DC out 50W Power Adapter
Power Cord